


MOTO GUZZI®

SPARE PARTS CATALOGUE



V 85 TT e4 ABS 2019 (EMEA)

Chassis prefix: ZGUKWA00

Engine prefix:

V 85

GU300

Index

Finished products.....	4
Alphanumeric index.....	5
Frame.....	11
Table 01.010 - Frame.....	11
Table 01.020 - Foot rests.....	13
Table 01.030 - Central stand.....	14
Table 01.040 - Protection.....	15
Table 01.050 - Swing arm.....	16
Body.....	17
Table 02.030 - Front mudguard-Pillar.....	17
Table 02.050 - Windshield.....	19
Table 02.090 - Tank cover.....	20
Table 02.100 - Central body.....	21
Table 02.120 - Saddle.....	22
Table 02.130 - Saddle compartment.....	23
Table 02.140 - Rear body.....	24
Table 02.150 - Rear mudguard.....	25
Table 02.160 - Luggage rack.....	26
Table 02.170 - Locks.....	27
Table 02.180 - Plate set / Various.....	28
Table 02.190 - Decal.....	29
Engine.....	31
Table 03.010 - Engine-Completing part-Lever.....	31
Table 03.020 - Gear lever.....	32
Table 03.030 - Crankcases I.....	33
Table 03.050 - Air box.....	34
Table 03.060 - Throttle body.....	35
Table 03.090 - Head cover.....	36
Table 03.100 - Cylinder head - valves.....	37
Table 03.120 - Timing system.....	38
Table 03.150 - Cylinder - Piston.....	40
Table 03.160 - Drive shaft.....	41
Table 03.170 - Gear box / Selector / Shift cam.....	42
Table 03.180 - Gear box - Gear assembly.....	44
Table 03.190 - Lubrication.....	46
Table 03.196 - Blow-by system.....	48
Table 03.230 - Clutch.....	49
Table 03.270 - Flywheel cover.....	51
Table 03.290 - Starter / Electric starter.....	52
Table 03.300 - Cdi magneto assy / Ignition unit.....	53
Table 03.320 - Secondary air.....	54
Table 03.330 - Exhaust pipe.....	55
Table 03.340 - Transmission complete.....	56

Table 03.350 - Rear transmission / Components.....	57
Suspensions.....	59
Table 04.040 - Front fork Kayaba.....	59
Table 04.080 - Shock absorber.....	60
Wheels.....	61
Table 05.010 - Front wheel.....	61
Table 05.020 - Rear wheel.....	62
Brake system.....	63
Table 06.010 - Front master cilinder.....	63
Table 06.020 - Front brake caliper.....	64
Table 06.030 - Rear master cylinder.....	65
Table 06.040 - Rear brake caliper.....	67
Table 06.050 - ABS Brake system.....	68
Handlebar - Controls.....	69
Table 07.010 - Steering.....	69
Table 07.020 - Handlebar - Controls.....	70
Table 07.030 - Clutch control.....	71
Lights - Instruments.....	72
Table 08.010 - Front lights.....	72
Table 08.020 - Instruments.....	73
Table 08.030 - Rear lights.....	74
Tank.....	75
Table 09.010 - Fuel tank.....	75
Table 09.020 - Fuel vapour recover system.....	76
Electrical systems.....	77
Table 11.010 - Front electrical system.....	77
Table 11.020 - Central electrical system.....	78
Table 11.030 - Rear electrical system.....	79

Finished products

Code	Validity
GU9032270ECK01	
GU9032270ECK02	
GU9032270ECK03	
GU9032270EUK01	
GU9032270EUK02	
GU9032270EUK03	
GU9032271ECK01	
GU9032271ECK02	
GU9032271EUK01	
GU9032271EUK02	

Code	No. table	Pos.	Code	No. table	Pos.	Code	No. table	Pos.
00H02201731	03.330	14	1A009154	03.060	2	1D001393	03.060	8
00H02402282	06.050	2	1A009167	03.060	1	1D002259R	11.020	17
013763	03.190	34	1A009346	03.120	14	1D002384	11.030	16
109355	11.030	17	1A009399E1	03.160	5	224566	03.350	7
1A000360	03.180	7	1A009399E2	03.160	5	237553	03.190	12
1A000361	03.180	13	1A009399E3	03.160	5	254485	01.010	5
1A000365	03.180	16	1A009399E4	03.160	5	254485	02.150	5
1A000366	03.180	25	1A009399E5	03.160	5	254485	03.050	15
1A000367	03.180	23	1A009462	03.300	6	254485	09.010	14
1A000368	03.180	22	1A009630	03.230	40	254485	09.020	4
1A000370	03.180	24	1A010124	03.120	15	254485	11.010	13
1A000436	03.180	10	1A010638	11.010	7	258146	01.040	3
1A000566	03.180	4	1A010753	03.160	9	285536	03.190	39
1A000566	03.230	27	1A010855	03.150	12	287174	03.190	8
1A002604	03.180	9	1A0111375	03.010	1	296141	02.140	5
1A003111	03.190	31	1A011173	03.100	10	2A000097	03.170	49
1A003444	03.090	7	1A011548	03.150	6	2A000216	03.230	14
1A003452	03.100	9	1A011612	03.190	29	2A000224	03.170	30
1A003632R	03.100	7	1A011654	03.170	48	2A000225	03.170	27
1A004442	03.190	35	1A011722	03.100	15	2A000226	03.170	29
1A004530	03.030	15	1A011723	03.100	16	2A000241	03.170	14
1A004549	03.190	11	1A011723	03.120	30	2A000376	03.230	30
1A004660	03.100	1	1A011963	03.120	20	2A000378	03.230	15
1A004661	03.100	1	1A011983	03.300	1	2A000384	03.230	39
1A004662	03.100	1	1A012899	03.100	14	2A000385	03.230	38
1A004750	03.100	11	1A013108	03.100	5	2A000418	03.230	4
1A004751	03.100	8	1A013570	03.120	3	2A000467	03.170	41
1A004903	03.120	32	1A013652	03.120	17	2A000527	03.120	26
1A004905	03.120	29	1A013734	03.120	12	2A000529	03.230	7
1A004907	03.120	27	1A013793	03.090	3	2A000565	03.090	1
1A004954	03.150	4	1A013795	03.090	2	2A000579	03.120	19
1A004955	03.150	5	1A013796	03.090	11	2A000591	03.170	2
1A005257	03.190	33	1A013815	03.190	3	2A000597	03.320	2
1A005951	03.120	31	1A013822	03.090	10	2A000631	03.230	34
1A005955	03.120	8	1A013883	03.120	24	2A000633	03.190	5
1A006243	03.120	6	1A013936	03.150	3	2A000638	03.230	5
1A006655	03.030	3	1A0143906	03.030	1	2A000741	03.230	2
1A006656	03.030	2	1A014410	03.190	17	2A000774	03.230	9
1A006659	03.120	25	1A014411	03.190	18	2A000812	03.230	19
1A0066680G	03.160	7	1A014459	03.100	6	2A000813	03.230	22
1A0066680N	03.160	7	1A014570	03.190	30	2A000816	03.230	23
1A0066680V	03.160	7	1A014658	11.010	19	2A000817	03.230	25
1A0066690G	03.160	8	1A014673	03.120	5	2A000818	03.230	20
1A0066690N	03.160	8	1A014724	11.010	18	2A000823	03.170	46
1A0066690V	03.160	8	1A014777	03.030	21	2A000823	03.350	22
1A006716	03.090	9	1A014844	03.190	16	2A000832	03.170	28
1A006861	03.120	18	1A014908	03.190	28	2A000838	03.230	35
1A0068960B	03.160	4	1A014977	03.120	1	2A000901	03.230	41
1A0068960G	03.160	4	1A014996	03.060	4	2A000926	03.170	36
1A0068960R	03.160	4	1A015044	03.030	22	2A000938	03.170	22
1A007917E1	03.160	2	1A015047	03.270	1	2A0009545	03.170	8
1A007917E2	03.160	2	1A015068	03.190	7	2A0009615	03.170	43
1A007917E3	03.160	2	1A0151165	03.100	4	2A000968	03.230	1
1A007917E4	03.160	2	1A0151195	03.100	3	2A000969	03.230	6
1A007917E5	03.160	2	1A015236	03.190	22	2A000981	03.170	44
1A008014	03.160	1	1A0152720G	03.150	2	2A000988	03.180	18
1A008090	03.060	11	1A0152720H	03.150	2	2A000989	03.180	20
1A008102	03.030	17	1A0152720L	03.150	2	2A000991	03.170	13
1A008103	03.030	18	1A0152720M	03.150	2	2A000998	03.180	26
1A008104	03.030	19	1A0153455	03.150	1	2A001002	03.180	5
1A008256	03.030	16	1A015490	03.190	20	2A0010035	03.170	1
1A008291	03.190	24	1A015559	03.120	21	2A001004	03.230	10
1A008325	03.190	23	1B001591	11.020	19	2A001006	03.170	18
1A008533	03.190	21	1B004354	09.010	9	2A001008	03.230	16
1A008566	03.190	32	1C001209	06.050	11	2A001011	03.180	17
1A008933	03.150	7	1C001499	05.010	21	2A001013	03.170	25
1A009088	03.060	5	1C001499	05.020	24	2A001013	03.180	27

Code	No. table	Pos.	Code	No. table	Pos.	Code	No. table	Pos.
2A001018	03.170	24	2B004460	03.050	4	2B005352	02.140	1
2A001022	03.170	12	2B004461	03.050	12	2B005353	02.140	2
2A001025	03.170	26	2B004560	03.020	19	2B005354	02.140	6
2A001035R	03.230	28	2B004579	03.330	1	2B005367	03.340	2
2A001042	03.170	17	2B004591	04.080	1	2B005373	06.050	15
2A001050	03.170	50	2B004647	07.010	1	2B005374	06.050	14
2A001054	03.230	24	2B004655	02.030	13	2B005375	06.050	17
2B000100	07.010	13	2B004656	02.030	16	2B005376	06.050	16
2B000215	03.330	4	2B004657	02.030	15	2B005379	06.030	32
2B000215	07.010	14	2B004670	03.020	1	2B005413	01.040	16
2B000219	09.010	13	2B004675	01.010	6	2B005414	01.040	15
2B000276	06.050	20	2B004678	01.050	1	2B005419	01.010	7
2B000404	03.350	2	2B004693	05.020	1	2B005442	02.130	4
2B000508	06.030	24	2B004702	01.050	3	2B005443	02.130	1
2B000525	06.040	1	2B004704	03.020	15	2B005445	03.196	2
2B001230	01.010	19	2B004720	07.030	1	2B005446	05.010	14
2B001279	05.020	6	2B004721	07.030	5	2B005451	02.150	2
2B001307	03.350	10	2B004748	04.040	2	2B005452	08.020	12
2B001311	03.350	3	2B004749	04.040	1	2B005453	02.050	7
2B001956	05.020	18	2B004770	06.040	2	2B005454	08.020	11
2B002130	06.030	30	2B004771	03.330	24	2B005455	08.020	2
2B002143	03.330	18	2B004778	05.010	5	2B005457000YE9	08.010	2
2B002171	03.350	25	2B004798	07.020	1	2B005457000YR8	08.010	2
2B002187	02.050	6	2B004821	03.020	12	2B005462	02.090	10
2B002200	03.350	13	2B004845	06.030	9	2B005463	02.090	5
2B002225	01.020	14	2B004944	07.010	10	2B005464	02.090	3
2B002416	05.010	4	2B004959	03.050	5	2B005467	02.090	11
2B002416	05.020	17	2B004991	09.020	5	2B005486	02.090	7
2B002418	03.060	17	2B005012	03.350	1	2B005508	02.050	8
2B002535	03.350	27	2B005033000YE9	01.010	1	2B005510	02.050	9
2B002536	03.350	17	2B005033000YR8	01.010	1	2B005511	02.050	10
2B002699	03.340	1	2B005039	01.010	14	2B005513	01.010	25
2B002807	03.350	21	2B005075	09.010	10	2B005528	01.040	2
2B002937	01.040	9	2B005089	01.050	2	2B005529	01.040	1
2B002962	03.330	19	2B005099000C1	02.120	1	2B005530	02.030	4
2B003052	03.090	6	2B005099000C2	02.120	1	2B005537	03.330	21
2B003105	03.196	4	2B0051099	03.020	17	2B005579	02.170	1
2B003212	01.050	4	2B005112	09.010	1	2B005589	06.030	18
2B003422	01.040	14	2B005119	09.010	8	2B005590	11.020	18
2B003422	01.050	5	2B005142	09.020	9	2B005598	01.030	1
2B004088	02.130	7	2B005143	01.020	2	2B005614	01.030	9
2B004163	07.020	6	2B005143	06.050	7	2B005623	01.010	24
2B004268	03.350	28	2B005144	01.010	4	2B005624	06.030	23
2B0042715	03.340	3	2B005157	03.320	9	2B005628	01.020	15
2B004276	02.170	20	2B005158	03.320	8	2B005631	01.020	16
2B004280	09.020	12	2B005159	03.320	6	2B005634	06.030	1
2B004300	05.010	16	2B005163	03.330	20	2B005651	02.170	17
2B004302	05.010	17	2B005171	03.330	16	2B005654	03.330	2
2B004304	05.010	10	2B005175	03.330	17	2B005655	03.330	3
2B004305	05.010	12	2B005181	02.100	1	2B005662	03.330	15
2B004396R	05.020	16	2B005182	02.100	5	2B005664	02.050	1
2B004403	04.040	5	2B005184	02.170	19	2B005680	02.170	14
2B004406	04.040	9	2B005243	09.020	8	2B005681	02.170	4
2B004407	04.040	10	2B005257	07.020	19	2B005683	07.020	5
2B004410	04.040	14	2B005287	06.050	9	2B005685	06.030	25
2B004411	04.040	15	2B005291	01.050	12	2B005686	01.010	23
2B004412	04.040	16	2B005292000YE9	02.160	1	2B005694	02.150	1
2B004413	04.040	18	2B005292000YR8	02.160	1	2B005699	01.040	12
2B004414	04.040	17	2B0053175	03.330	12	2B005736	06.020	3
2B004420	04.040	11	2B005327	02.030	3	2B005763	01.040	11
2B004422	04.040	13	2B005327000EQ	02.030	3	2B005779	02.160	2
2B004431	05.020	9	2B005327000Q4	02.030	3	2B005804	01.010	26
2B004435	05.020	10	2B005327000YE8	02.030	3	2B005808	01.040	4
2B004436	05.020	11	2B005327000YR9	02.030	3	2B005809	01.040	5
2B0044375	05.020	22	2B005328	02.030	2	2B005819	02.050	5
2B0044385	05.020	13	2B005331	06.020	2	2B005846	02.130	5
2B004442	05.020	19	2B005332	06.020	1	2B005849	01.010	28

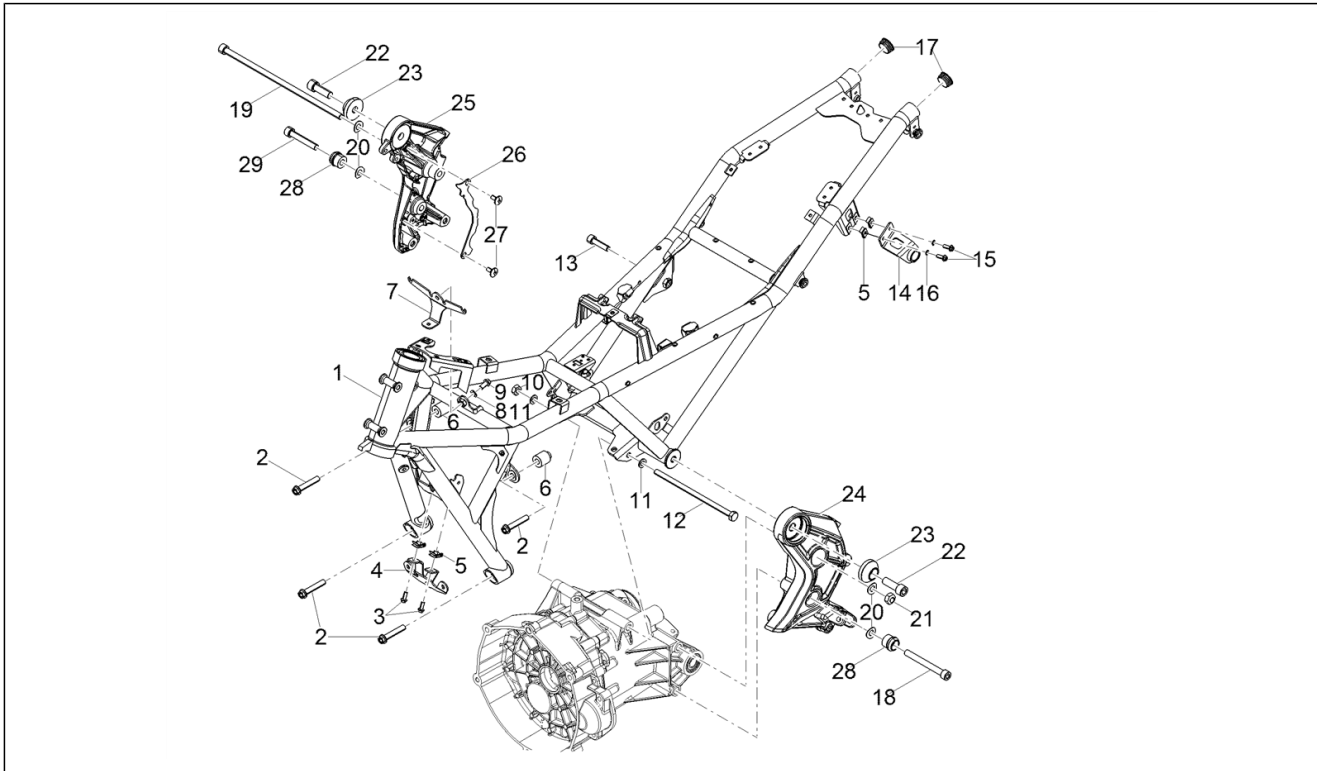
Code	No. table	Pos.	Code	No. table	Pos.	Code	No. table	Pos.
2B005851	07.030	2	2H001260	02.190	2	640698	11.010	12
2B005856	01.050	8	2H003127	02.190	3	641652	06.050	19
2B005857	09.020	13	2H003128	02.190	4	641901	11.010	4
2B005858	05.010	18	2H003185	02.190	5	642248	11.020	4
2B005927	07.020	18	2H003190000EQ	02.030	2	648708	05.020	3
2B005945	02.030	7	2H003190000YE8	02.030	2	654174	06.010	7
2B005999	01.020	8	2H003190000YR9	02.030	2	654174	07.030	9
2B006062	02.090	1	2H003191000EQ	02.100	1	656003	09.010	6
2B006063	02.090	2	2H003191000YE8	02.100	1	656429000C	01.020	18
2B006064	03.350	26	2H003191000YR9	02.100	1	656509000C	01.020	17
2B006066	05.020	19	2H003192000EQ	02.100	5	658837	01.010	8
2B006067	05.010	17	2H003192000YE8	02.100	5	658837	03.030	5
2B006083	03.090	5	2H003192000YR9	02.100	2	658837	03.060	18
2B006084	03.090	4	2H003212000Q4	02.030	2	658837	03.170	4
2B006085	05.010	19	2H003213000Z1	02.100	1	658837	11.010	10
2B006086	05.020	21	2H003214000Z1	02.100	5	825597	03.100	2
2B006088R	03.350	14	2H003215000Q4	01.040	12	825597	03.150	8
2B006091	01.040	13	2H003216000Q4	01.040	11	825694	03.120	23
2B006100	04.040	3	2H003217	02.190	6	825725	03.300	4
2B006101	04.040	7	2H003218	02.190	7	830061	03.060	9
2B006102	04.040	6	2H003219	02.190	8	831135	03.030	11
2B006103	04.040	8	2H003220	02.190	9	832029	11.010	15
2B006104	04.040	12	2H003221	02.190	10	834764	03.170	19
2B006105	04.040	4	2H003222	02.190	11	840569	03.120	2
2B006110	03.350	20	2H003223	02.190	12	843213	01.030	15
2B006111	06.010	1	2H003224	02.190	13	847180	11.010	17
2B0061249	03.196	9	2H003235000EQ	02.030	1	847906	03.160	3
2B006168	01.040	10	2H003235000YE8	02.030	1	849308	03.180	6
2B006185	03.050	20	2H003235000YR9	02.030	1	849309	03.180	19
2B006203	03.196	8	2H003237000Q4	02.030	1	849310	03.180	21
2B006204	03.196	7	2H003243000EQ	02.090	1	849396	03.180	14
2B006205	03.196	10	2H003243000YE8	02.090	1	849424	03.180	8
2B006207	07.020	8	2H003243000YR9	02.090	1	852090	03.330	9
2B006208	07.020	17	2H003244000EQ	02.090	2	852093	01.030	3
2B006226	01.020	19	2H003244000YE8	02.090	2	85256R	08.030	11
2B006248	01.040	19	2H003244000YR9	02.090	2	854827	07.020	4
2B006262	03.030	24	2H003245000Z1	02.090	1	856048	06.010	2
2B006272	02.180	2	2H003246000Z1	02.090	2	856050	06.010	5
2B006276	05.010	15	2H003306000Z2	02.090	1	856050	07.030	4
2B006287	02.190	14	2H003307000Z2	02.090	2	856063	09.020	16
2B006306	07.030	7	2H003310000Q4	02.030	1	856180	02.170	11
2B006307	07.030	6	2H003311000Q4	02.030	2	856855	07.020	9
2B006308	07.030	3	2H003312000Z2	02.100	1	857045	03.320	3
2B006319	03.330	6	2H003313000Z2	02.100	5	857046	03.320	11
2D000095	07.020	14	2H003314	02.190	6	857047	03.320	4
2D000163	07.020	15	2H003315	02.190	7	857181	03.320	7
2D000325	06.030	10	2H003316	02.190	8	857250	03.170	23
2D000339	07.020	20	2H003317	02.190	9	858423	06.010	4
2D000415	08.010	1	2H003318	02.190	10	858882	11.030	5
2D000418	08.030	14	2H003319	02.190	11	858941	01.030	6
2D000438	08.010	14	2H003320	02.190	12	859777	05.010	23
2D000438	08.030	1	2H003321	02.190	13	859777	05.020	26
2D000439	08.010	13	2H003325000Q4	01.040	12	859792	05.010	20
2D000439	08.030	3	2H003326000Q4	01.040	11	859792	05.020	23
2D000444	11.010	1	2Q000387	02.180	1	859946	06.030	6
2D000444	11.020	1	2R000248	06.040	7	859949	07.020	12
2D000444	11.030	15	484993	03.030	20	860651	08.010	9
2D000446	08.020	13	484993	03.150	13	860898	01.050	6
2D000451	09.010	5	485693	03.030	7	860900	01.050	11
2D000453	06.050	8	485693	03.190	27	871640	03.100	12
2D000454	11.010	8	575268	02.030	14	872230	03.060	13
2D000493	11.030	6	576546	09.010	7	872264	03.060	12
2D000494	11.020	6	581957	05.010	22	873928	03.170	16
2D000496	02.170	10	581957	05.020	25	873928	03.180	2
2D000497	07.030	8	584344	03.330	11	873928	03.230	12
2D000504	07.020	21	622236	03.050	13	876879	03.330	5
2D000528	07.020	16	638733	11.030	7	878872	03.120	4

Code	No. table	Pos.	Code	No. table	Pos.	Code	No. table	Pos.
883688	05.010	6	AP8110109	05.020	8	AP8150018	03.020	4
886184	01.020	1	AP8110110	01.020	11	AP8150018	06.030	13
886185	01.020	12	AP8112811	11.030	11	AP8150044	03.050	18
886820	02.170	16	AP8113004	06.050	10	AP8150045	03.050	8
886861	03.050	14	AP8113081	06.030	15	AP8150045	03.060	15
886867	03.050	10	AP8113082	06.030	16	AP8150045	07.020	10
887003	03.270	5	AP8114502	03.196	6	AP8150048	01.010	13
887015	03.060	16	AP8118579	07.020	22	AP8150048	04.080	2
887282	03.050	7	AP8120001	01.040	7	AP8150049	01.010	29
887282	03.060	14	AP8120030	02.030	11	AP8150115	03.020	18
887421	03.190	37	AP8120030	03.050	16	AP8150171	02.170	9
887448	05.020	15	AP8120030	06.050	4	AP8150182	06.030	26
887627	06.010	6	AP8120178	06.030	17	AP8150204	08.030	6
887831	07.010	7	AP8120573	01.020	5	AP8150210	01.010	20
887832	07.010	9	AP8120593	03.050	1	AP8150236	07.010	2
887971	02.190	1	AP8120822	06.030	11	AP8150248	01.030	7
890760	11.020	16	AP8120831	01.020	4	AP8150248	11.020	3
894603	11.030	8	AP8120876	01.030	17	AP8150255	08.020	4
895328	03.020	2	AP8120912	03.020	10	AP8150285	04.040	19
895328	06.030	19	AP8120912	06.030	2	AP8150287	01.010	18
895481	11.020	9	AP8120952	09.010	12	AP8150292	01.030	10
896174	08.020	10	AP8121032	07.020	11	AP8150311	01.030	4
896715	11.020	10	AP8121080	07.020	23	AP8150351	02.170	8
898397	03.020	16	AP8121133	01.020	10	AP8150362	03.050	6
899105	02.170	5	AP8121155	04.080	5	AP8150378	01.020	21
899106	02.170	7	AP8121205	07.010	12	AP8150378	02.050	13
899107	02.170	6	AP8121221	03.020	9	AP8150378	03.330	22
899543	02.170	18	AP8121221	06.030	3	AP8150378	08.010	11
967363	03.020	5	AP8121332	03.330	25	AP8150382	11.030	2
967363	06.030	12	AP8121420	02.170	12	AP8150412	01.010	12
969973	03.190	36	AP8121421	09.010	3	AP8150413	02.030	5
969973	11.010	3	AP8121504	06.030	29	AP8150413	02.150	4
974162	03.180	12	AP8121509	03.020	6	AP8150421	02.090	4
974165	03.180	15	AP8121509	06.030	20	AP8150430	11.010	5
974165	03.230	21	AP8121520	07.020	13	AP8150453	02.170	2
976168	03.030	9	AP8121567	01.020	7	AP8150454	02.170	3
976168	03.190	26	AP8121615	04.080	3	AP8150462	03.020	7
976591	03.090	8	AP8121882	06.050	18	AP8150462	06.030	5
97729R	03.290	3	AP8121927	06.030	7	AP8150500	01.010	27
978301	01.010	17	AP8123641	07.010	3	AP8150500	01.040	6
978415	02.170	13	AP8123642	07.010	6	AP8150500	02.090	6
978498	05.010	3	AP8123643	07.010	8	AP8150500	02.130	6
978516	05.010	9	AP8123644	07.010	5	AP8150500	02.160	3
AP8101586	09.020	11	AP8123721	07.020	2	AP8150500	03.196	5
AP8101594	06.030	31	AP8124718	08.030	8	AP8150500	06.030	8
AP8102239	09.020	14	AP8124936	11.010	14	AP8150500	08.020	9
AP8102349	03.196	1	AP8125687	05.020	2	AP8150501	08.030	13
AP8102375	01.040	8	AP8125773	05.010	7	AP8150501	08.030	7
AP8102375	02.090	9	AP8125777	05.010	8	AP8150509	08.020	3
AP8102375	02.130	8	AP8127461	02.090	8	AP8150509	08.030	4
AP8102375	02.140	4	AP8127856	01.030	5	AP8150509	11.030	1
AP8102375	08.020	8	AP8133945	06.050	1	AP8150512	08.020	1
AP8102375	09.020	6	AP8134276	01.020	3	AP8150522	08.030	12
AP8102378	09.010	11	AP8134378	03.330	23	AP8152001	01.030	11
AP8102381	08.030	9	AP8134451	01.020	9	AP8152108	06.030	28
AP8102401	03.060	10	AP8144007	03.020	3	AP8152128	06.030	27
AP8102520	03.050	3	AP8144007	06.030	14	AP8152267	03.090	12
AP8102520	09.020	19	AP8144081	07.020	24	AP8152272	03.120	22
AP8102524	01.030	14	AP8144158	09.010	15	AP8152272	03.300	5
AP8102600	01.050	10	AP8144222	07.020	3	AP8152273	06.050	12
AP8102600	03.340	4	AP8144328	09.010	2	AP8152278	01.010	15
AP8102671	01.040	18	AP8144558	03.330	26	AP8152278	01.010	3
AP8102738	09.020	10	AP8144563	08.020	7	AP8152278	01.020	20
AP8102764	09.020	17	AP8144563	11.020	13	AP8152278	08.010	4
AP8102786	03.320	5	AP8144616	08.020	6	AP8152278	09.020	2
AP8104329	03.050	11	AP8144616	11.020	12	AP8152280	11.010	2
AP8110077	07.010	4	AP8150015	06.050	3	AP8152281	09.010	4

Code	No. table	Pos.	Code	No. table	Pos.	Code	No. table	Pos.
AP8152281	11.010	11	B063977	03.230	26	GU19002020	03.270	4
AP8152285	01.010	9	B064023	02.120	2	GU19003800	03.030	6
AP8152285	02.030	12	B064079	03.170	11	GU19003800	03.190	6
AP8152285	11.010	9	B064105	06.010	3	GU19015020	03.030	12
AP8152287	02.030	9	B064112	03.170	34	GU19018920	03.030	10
AP8152288	06.040	3	B064113	03.170	33	GU19018920	03.190	25
AP8152291	03.330	13	B064290	05.020	4	GU19021360	03.150	9
AP8152299	02.030	6	B064304	03.350	15	GU19058021	03.120	7
AP8152299	08.030	5	CM002912	03.196	11	GU19058220	03.120	9
AP8152300	03.330	27	CM002912	03.320	10	GU19065400	03.160	6
AP8152301	04.080	6	CM006903	09.020	3	GU19067700	03.230	3
AP8152302	01.040	17	CM013203	11.020	15	GU19351100	03.350	16
AP8152302	01.050	9	CM013203	11.030	14	GU19547000	01.050	7
AP8152302	02.100	2	CM179008	09.020	15	GU27066460	03.160	10
AP8152302	02.130	2	CM225607	11.030	10	GU27152885	03.190	1
AP8152302	02.140	3	CM225615	11.030	9	GU30630430	05.020	20
AP8152302	09.020	1	CM225720	11.030	13	GU31003766	03.170	6
AP8152302	11.020	11	CM225730	11.030	12	GU31003766	03.190	10
AP8152306	02.160	5	CM226902	03.196	3	GU31003766	03.350	5
AP8152306	06.050	13	CM258302	03.060	3	GU31159050	03.190	13
AP8152306	11.020	5	CM277103	11.010	6	GU31544181	06.040	4
AP8152320	01.030	2	CM281714	11.030	4	GU31659181	06.040	6
AP8152329	02.150	3	GU01528930	03.170	45	GU31659281	06.040	5
AP8152329	03.050	9	GU01528930	03.350	23	GU32441210	01.020	13
AP8152329	06.050	6	GU01528930	03.350	6	GU32474710	08.030	10
AP8152329	09.020	7	GU01612190	05.010	1	GU32577910	02.050	4
AP8152384	07.010	11	GU01659130	06.020	4	GU32578410	02.050	3
AP8152411	04.080	4	GU01659131	06.020	5	GU37359005	03.350	9
AP8152414	01.010	2	GU03013800	03.060	6	GU90271014	03.170	40
AP8152414	06.020	6	GU03013800	03.150	11	GU90271022	03.170	20
AP8152486	07.020	7	GU03256800	03.020	14	GU90272047	05.020	7
AP8161054	03.050	2	GU03631250	05.010	11	GU90353009	03.100	13
AP8163165	08.010	7	GU03631250	05.020	12	GU90353014	03.170	31
AP8201727	01.030	16	GU04355100	03.350	19	GU90401424	03.170	42
AP8201727	03.050	19	GU04355101	03.350	19	GU90412541	03.180	29
AP8201755	02.100	4	GU04355102	03.350	19	GU90413850	03.350	11
AP8201755	02.130	3	GU04355103	03.350	19	GU90706170	03.230	31
AP8220150	08.020	5	GU04355104	03.350	19	GU90706188	03.350	4
AP8220150	11.030	3	GU04355105	03.350	19	GU90706203	03.170	10
AP8220162	02.100	3	GU04355106	03.350	19	GU90706444	03.190	4
AP8220283	11.020	8	GU05217630	03.230	17	GU90706958	03.350	18
AP8221023	03.050	17	GU05234230	03.170	32	GU91113826	03.330	10
AP8221023	06.050	5	GU05235531	03.170	21	GU92201226	03.180	28
AP8221128	02.030	10	GU05238231	03.170	37	GU92201226	03.230	11
AP8221204	01.030	13	GU05238431	03.170	35	GU92201822	03.180	1
AP8221211	01.030	12	GU05239330	03.170	39	GU92204220	05.020	5
AP8221228	08.010	3	GU05351230	03.350	8	GU92296723	03.190	19
AP8221277	01.020	6	GU05781630	04.040	20	GU92606206	03.150	10
AP8221341	02.030	8	GU10034100	03.120	28	GU92606206	06.030	22
AP8224462	11.020	7	GU10528900	03.170	7	GU92606208	03.030	4
AP8224470	02.050	2	GU10528900	03.190	9	GU92606508	03.230	36
AP8224470	03.020	8	GU12022600	03.170	9	GU92609206	03.020	13
AP8224470	06.030	4	GU12154200	03.190	2	GU92630510	01.010	10
AP8225369	01.030	8	GU12351100	03.350	12	GU92630510	01.010	21
AP9100053	08.010	5	GU14085900	03.230	18	GU92660021	03.330	7
B005629	11.020	14	GU14086100	03.230	32	GU93304390	09.020	18
B013037	03.230	29	GU14217901	01.010	16	GU94321079	03.190	15
B013552	03.120	16	GU14217901	03.230	8	GU94321105	03.230	33
B013608	03.170	15	GU14609650	11.030	18	GU95005325	05.010	2
B013608	03.180	3	GU14615901	03.330	8	GU95008208	01.020	22
B013608	03.230	13	GU14615901	03.350	24	GU95008208	03.290	2
B014598	03.120	13	GU14615901	08.010	8	GU95008210	01.010	11
B015040	03.180	11	GU14616150	05.010	13	GU95008305	01.030	18
B015563	03.300	3	GU14616150	05.020	14	GU95100309	03.190	40
B015598	03.190	38	GU18144350	03.190	14	GU95129115	03.120	11
B063025	03.170	47	GU19002020	03.030	8	GU95500222	03.230	37
B063956	03.170	38	GU19002020	03.170	5	GU96451430	03.030	14

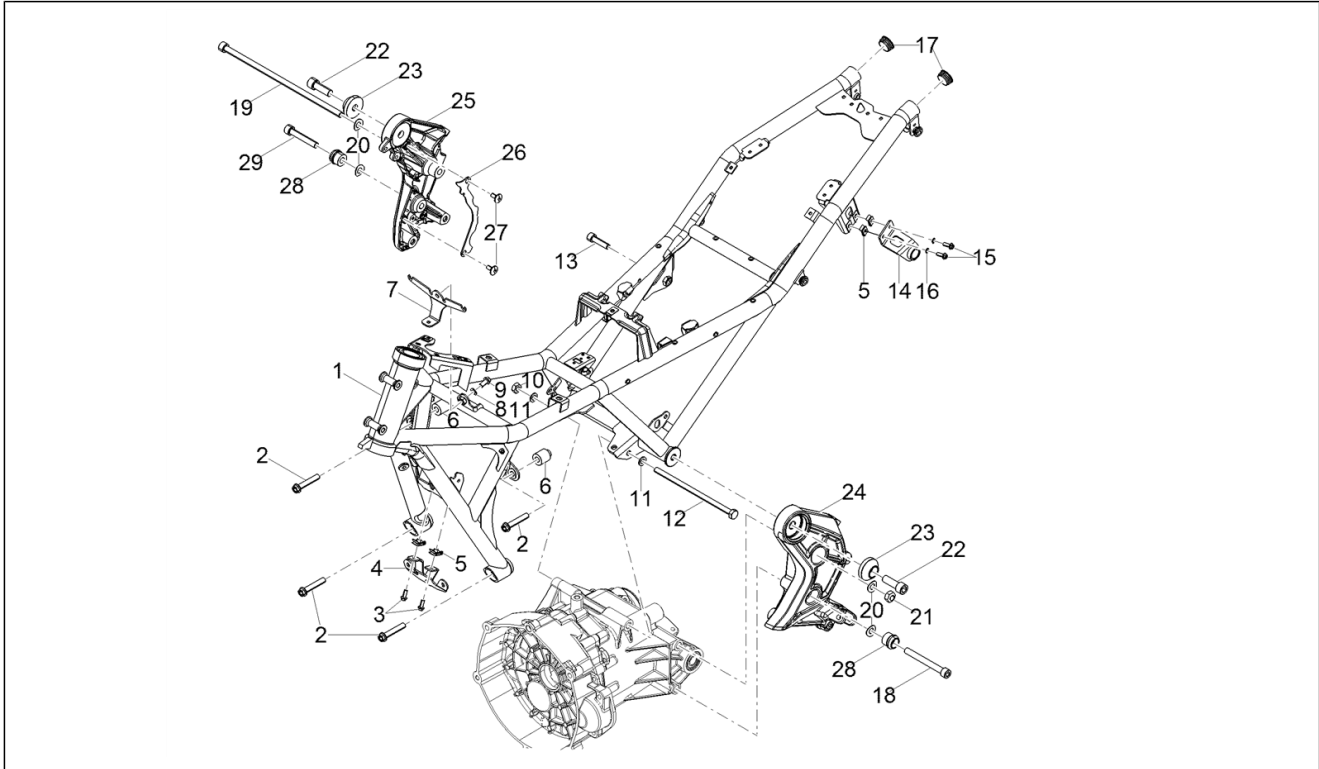
Code	No. table	Pos.
GU96508055	03.030	13
GU98350460	08.010	6
GU98370616	02.050	11
GU98370625	02.170	15
GU98612216	03.320	1
GU98622322	03.060	7
GU98680225	11.020	2
GU98680440	03.170	3
GU98680450	03.020	11
GU98680450	06.030	21
GU98682314	11.010	16
GU98682325	03.030	23
GU98682325	03.270	2
GU98682330	03.270	3
GU98682330	03.300	2
GU98682430	02.160	4
GU98682435	03.290	1
GU98682635	01.010	22
GU98692318	08.010	12
GU98692318	08.030	2
GU98692325	02.050	12
GU98692325	08.010	10
GU98882316	03.120	10

Group	Frame
Code	01.010
Description	Frame
Service	1



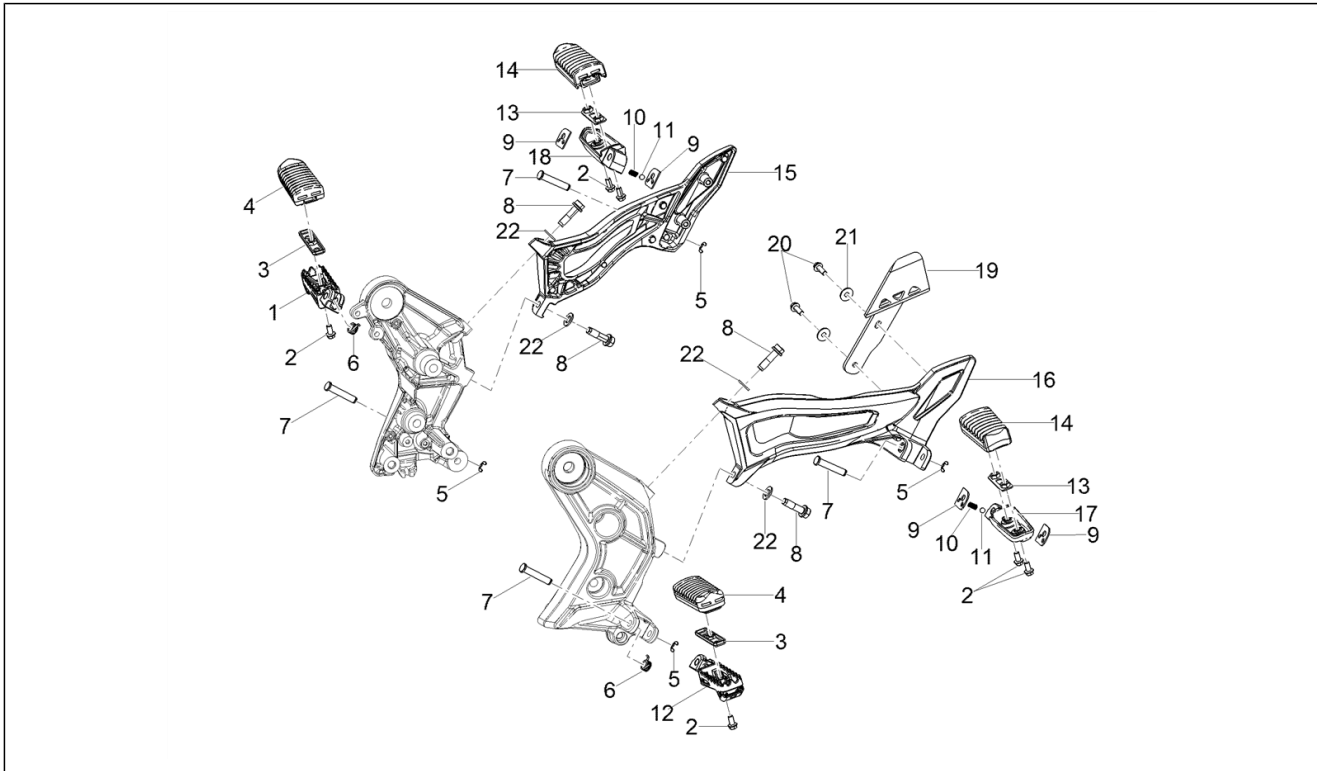
Pos.	Code	Description	Qty	Variants
1	2B005033000YR8	Frame, red	1	Colour: Yellow Sahara Special[YEL] Red kalahari Special[ROS]
1	2B005033000YE9	Frame p.	1	Colour: Blu Atlante[BLUE] Grigio Atacama[GREY] Rosso vulcano[RED]
2	AP8152414	Screw w/ flange M10x55	4	
3	AP8152278	Screw w/ flange M6x16	2	
4	2B005144	Voltage regulator support bracket	1	
5	254485	Spring plate M6	4	
6	2B004675	Bush	2	
7	2B005419	Support bracket	1	
8	658837	Crinkle washer D15 F8,4 S1,5 - INOX	1	
9	AP8152285	Screw w/ flange	1	
10	GU92630510	Nut M10x1,5	1	
11	GU95008210	Washer 10,2X18X2	2	
12	AP8150412	Screw	1	
13	AP8150048	Hex socket screw	1	
14	2B005039	Silencer support	1	
15	AP8152278	Screw w/ flange M6x16	2	
16	GU14217901	Washer 6,4x10x0,7	2	
17	978301	Cover	2	
18	AP8150287	Hex socket screw M10x90	2	
19	2B001230	Pin 278X10	1	
20	AP8150210	Curved spring washer *	4	
21	GU92630510	Nut M10x1,5	1	
22	GU98682635	screw	2	
23	2B005686	Bush	2	
24	2B005623	LH plate	1	
25	2B005513	RH plate	1	

Group	Frame
Code	01.010
Description	Frame
Service	1



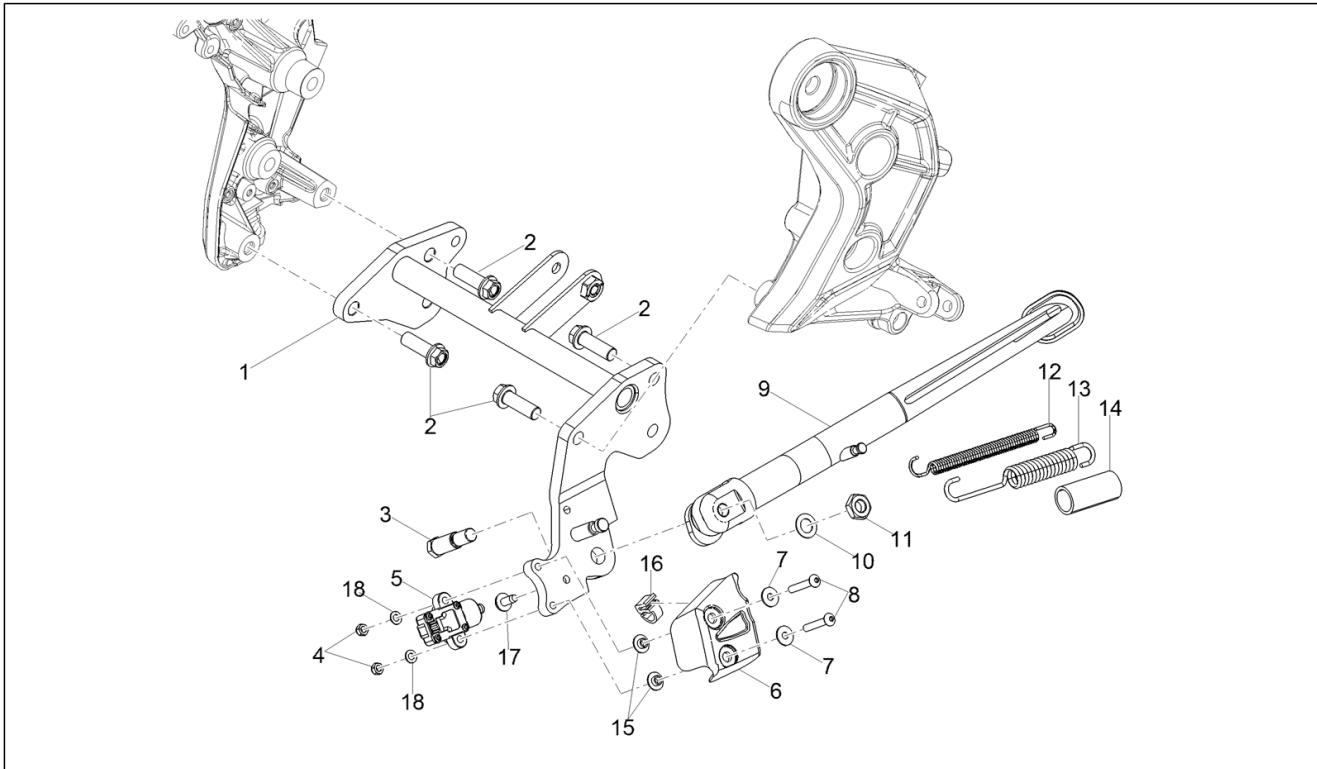
Pos.	Code	Description	Qty	Variants
26	2B005804	Plug	1	
27	AP8150500	Hex socket screw M5x9	2	
28	2B005849	Bush	2	
29	AP8150049	screw M10x60	1	

Group	Frame
Code	01.020
Description	Foot rests
Service	1



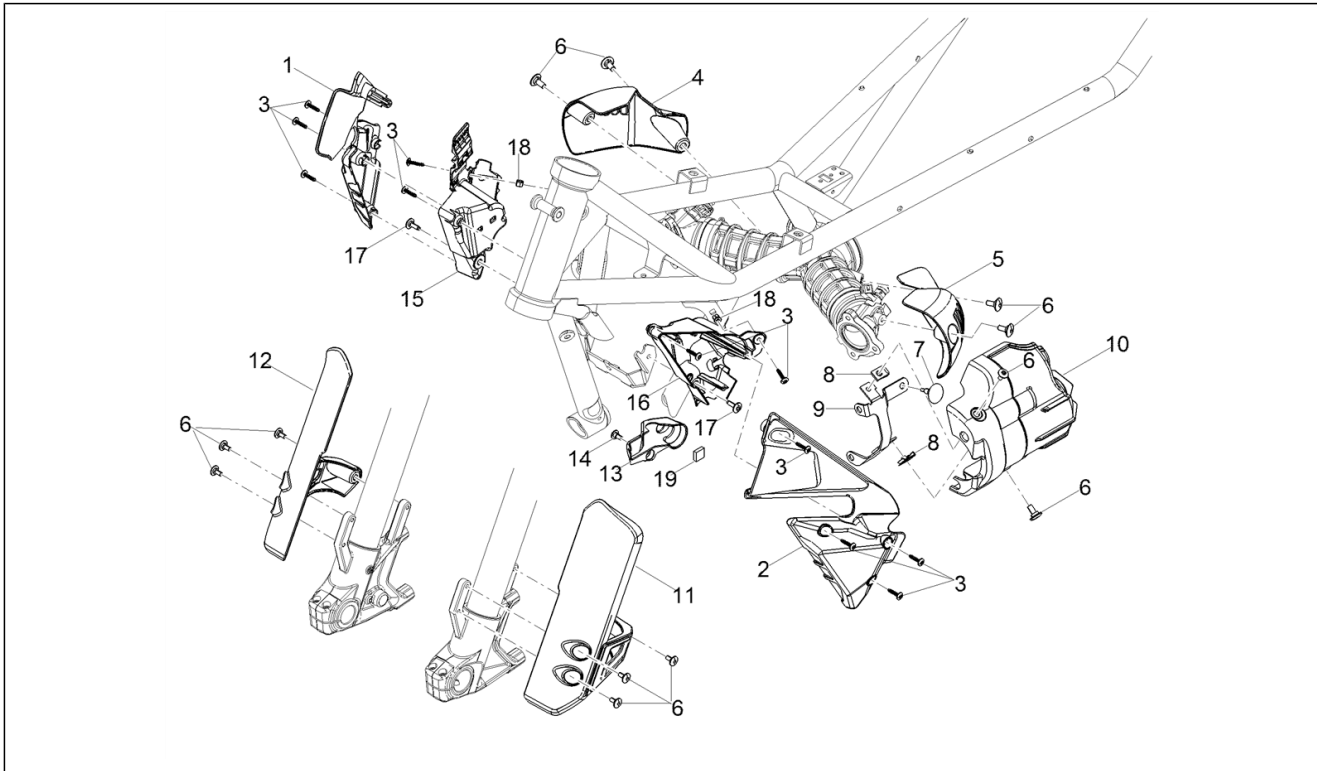
Pos.	Code	Description	Qty	Variants
1	886184	RH Foot rests	1	
2	2B005143	Screw w/ flange M6x12	2	
3	AP8134276	Plate	2	
4	AP8120831	Footrest rubber	2	
5	AP8120573	Stop ring	4	
6	AP8221277	Footrest return spring	2	
7	AP8121567	Pin	4	
8	2B005999	Pre-coated M8x30 SHC screw	4	
9	AP8134451	Footrest plate	4	
10	AP8121133	Coil compress. spring	2	
11	AP8110110	Ball d.7	2	
12	886185	LH Foot rests	1	
13	GU32441210	Plate	2	
14	2B002225	Footrest rubber	1	
15	2B005628	Right pass. footrest support	1	
16	2B005631	Left pass. footrest support	1	
17	656509000C	LH footrest	1	
18	656429000C	RH footpad	1	
19	2B006226	Heel guard	1	
20	AP8152278	Screw w/ flange M6x16	2	
21	AP8150378	Washer 6,4x18x2	2	
22	GU95008208	Washer 8,4X15X1,5	4	

Group	Frame
Code	01.030
Description	Central stand
Service	1



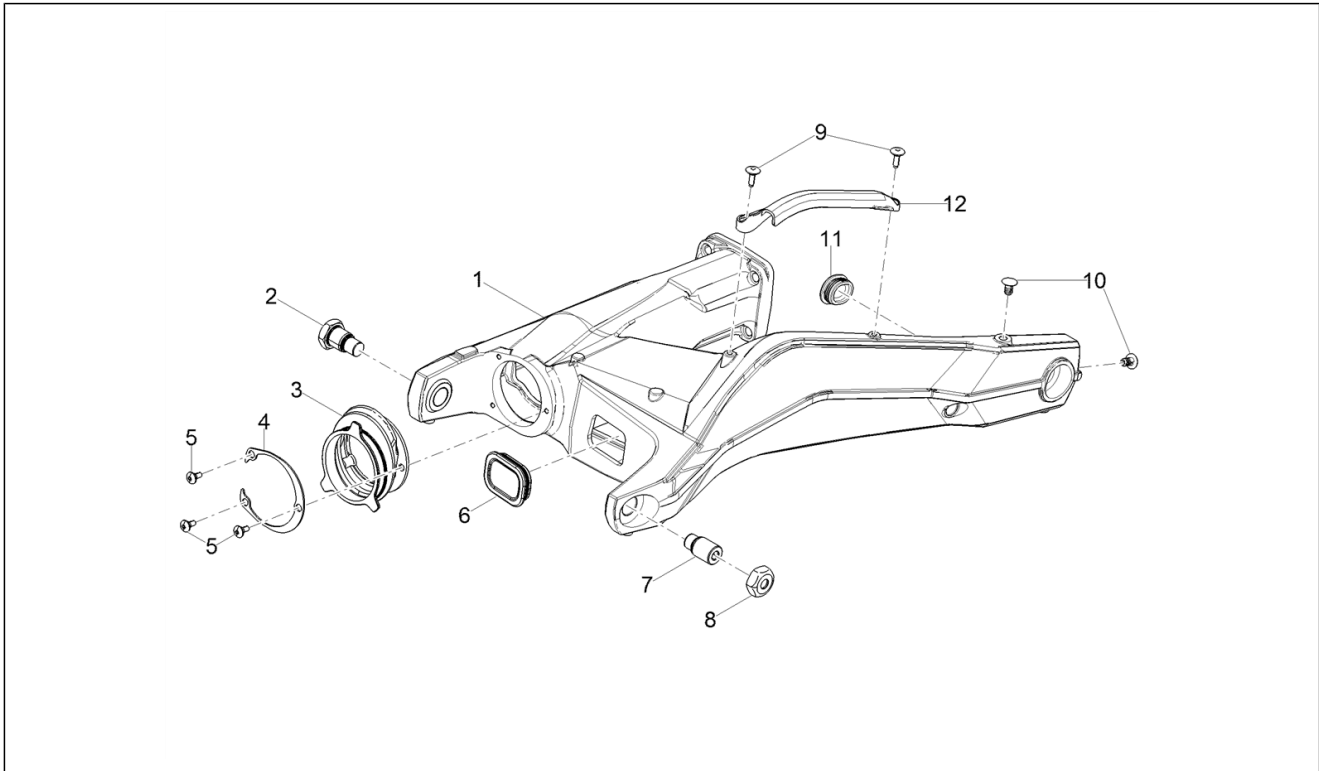
Pos.	Code	Description	Qty	Variants
1	2B005598	Stand support	1	
2	AP8152320	Screw w/ flange	4	
3	852093	Pin	1	
4	AP8150311	Low self-locking nut	2	
5	AP8127856	Lateral stand switch	1	
6	858941	Guard	1	
7	AP8150248	Washer 5,5x15x1,6	2	
8	AP8225369	Hex socket screw	2	
9	2B005614	Lateral stand	1	
10	AP8150292	Curved spring washer *	1	
11	AP8152001	Low nut M10x1,25	1	
12	AP8221211	Internal lateral stand spring	1	
13	AP8221204	Lateral stand spring	1	
14	AP8102524	Stand spring protection	1	
15	843213	T bush	2	
16	AP8201727	Black cable guide	1	
17	AP8120876	Plug	1	
18	GU95008305	Washer 5,3X10X1	2	

Group	Frame
Code	01.040
Description	Protection
Service	1



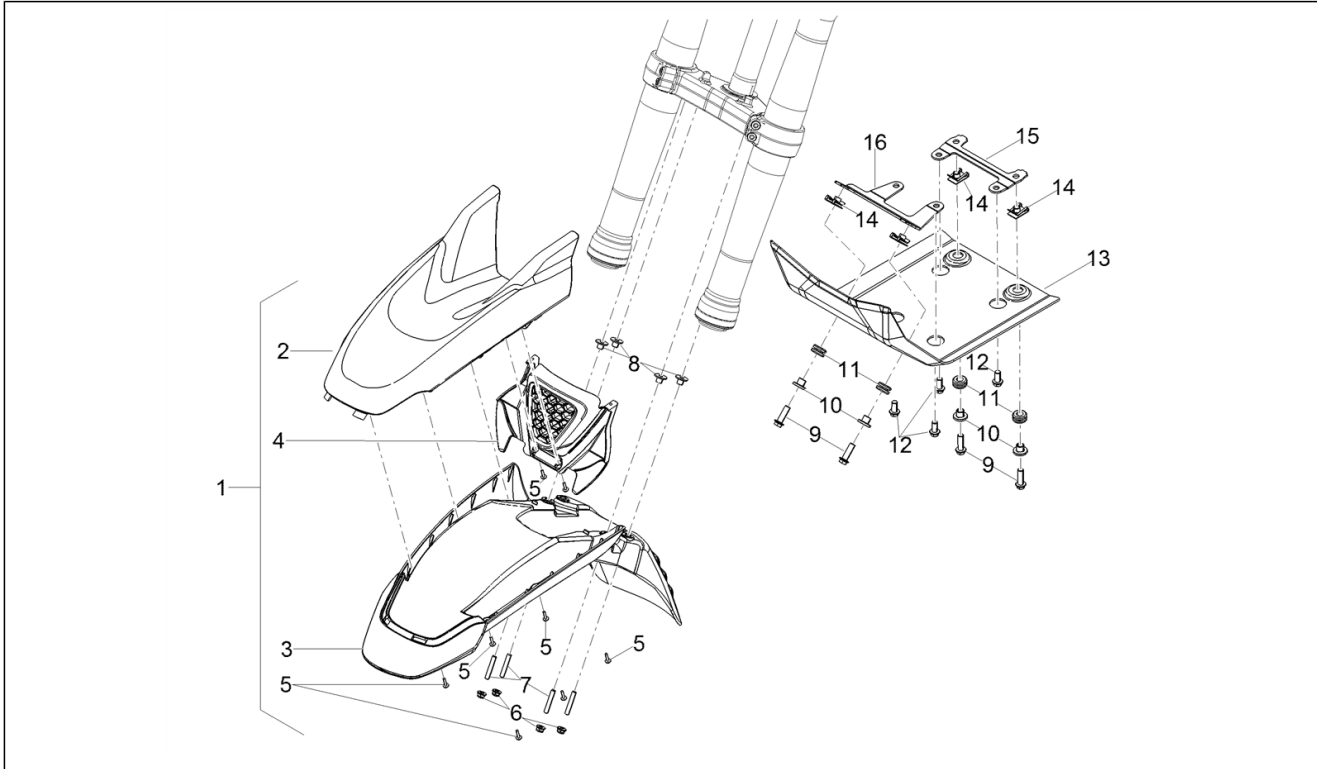
Pos.	Code	Description	Qty	Variants
1	2B005529	Right headstock cover	1	
2	2B005528	Left headstock cover	1	
3	258146	Self-tap screw M3x20	11	
4	2B005808	Right injector covers	1	
5	2B005809	Left injector covers	1	
6	AP8150500	Hex socket screw M5x9	12	
7	AP8120001	Rubber spacer	1	
8	AP8102375	Clip M5	2	
9	2B002937	Cover support bracket	1	
10	2B006168	Starter motor cover	1	
11	2H003216000Q4	LH sleeve protection, white	1	Colour: Yellow Sahara Special[YEL] Technical Specification: Decal[D]
11	2H003326000Q4	LH sleeve protection, white	1	Colour: Red kalahari Special[ROS] Technical Specification: Decal[D]
11	2B005763	LH sleeve protection	1	Colour: Blu Atlante[BLUE] Grigio Atacama[GREY] Rosso vulcano[RED]
12	2H003215000Q4	RH sleeve protection, white	1	Colour: Yellow Sahara Special[YEL] Technical Specification: Decal[D]
12	2H003325000Q4	RH sleeve protection, white	1	Colour: Red kalahari Special[ROS] Technical Specification: Decal[D]
12	2B005699	RH sleeve protection	1	Colour: Blu Atlante[BLUE] Grigio Atacama[GREY] Rosso vulcano[RED]
13	2B006091	Cable harness cover	1	
14	2B003422	M5x12 pre-coated countersunk hex head Torx screw	1	
15	2B005414	Connector box DX	1	
16	2B005413	Connector box SX	1	
17	AP8152302	Screw w/ flange M5x12	2	
18	AP8102671	Plastic rivet	2	
19	2B006248	Adhesive sponge	1	

Group	Frame
Code	01.050
Description	Swing arm
Service	1



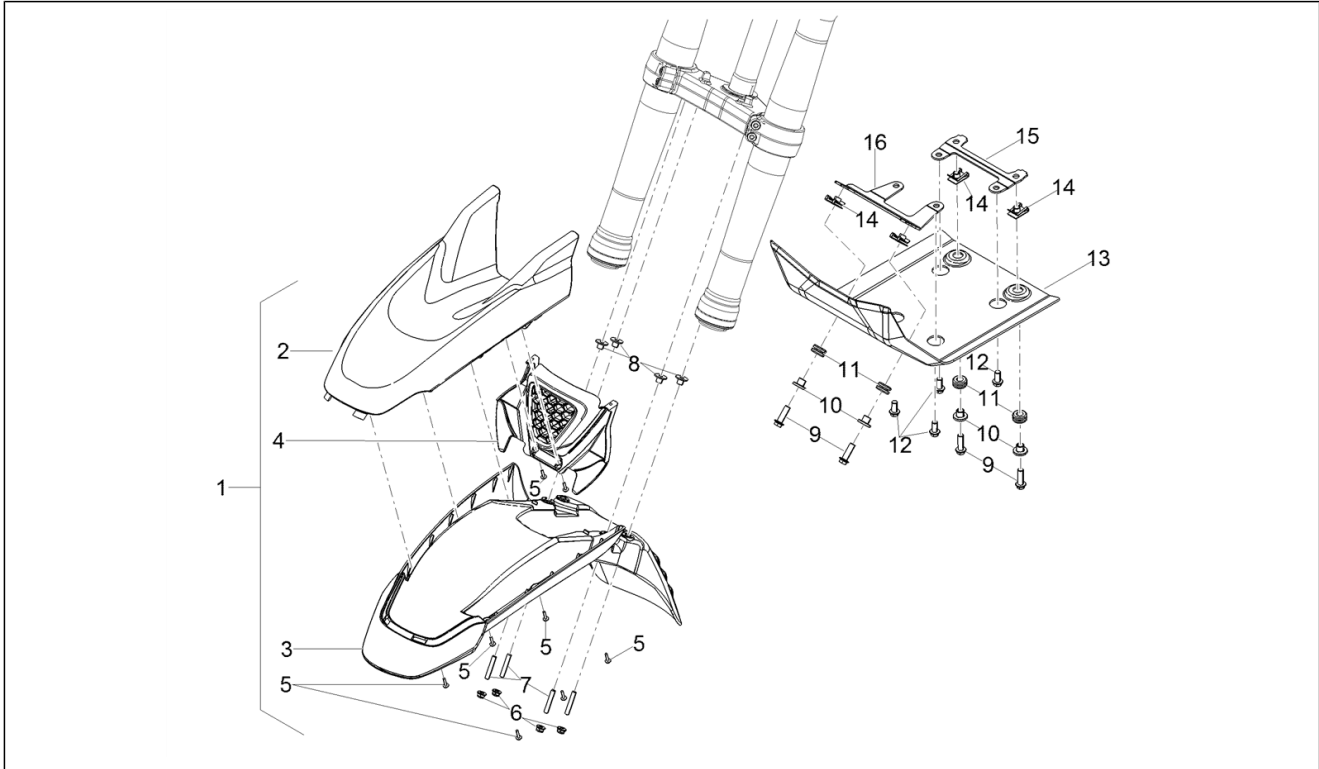
Pos.	Code	Description	Qty	Variants
1	2B004678	Swingarm	1	
2	2B005089	Pin	1	
3	2B004702	Rubber bellows	1	
4	2B003212	Fixing plate	1	
5	2B003422	M5x12 pre-coated countersunk hex head Torx screw	3	
6	860898	Cover	1	
7	GU19547000	Adjusting pin	1	
8	2B005856	Spindle nut	1	
9	AP8152302	Screw w/ flange M5x12	2	
10	AP8102600	Cover	2	
11	860900	Cover	1	
12	2B005291	Fairlead	1	

Group	Body
Code	02.030
Description	Front mudguard-Pillar
Service	1



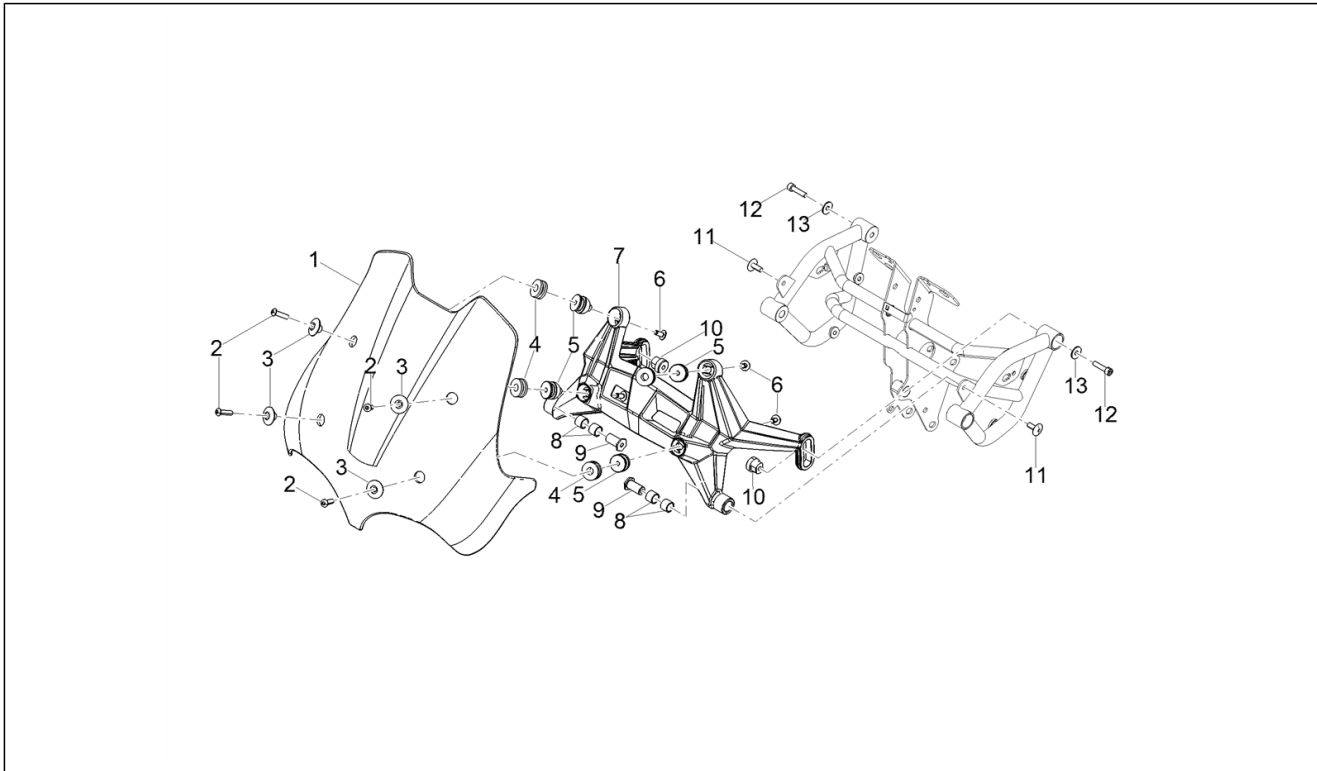
Pos.	Code	Description	Qty	Variants
1	2H003235000EQ	Front mudguard, grey	1	Colour: Grigio Atacama[GREY] Technical Specification: Decal[D]
1	2H003235000YE8	Front mudguard	1	Colour: Blu Atlante[BLUE] Technical Specification: Decal[D]
1	2H003310000Q4	Front mudguard	1	Colour: Red kalahari Special[ROS] Technical Specification: Decal[D]
1	2H003237000Q4	White front mudguard	1	Colour: Yellow Sahara Special[YEL] Technical Specification: Decal[D]
1	2H003235000YR9	Front mudguard, red	1	Colour: Rosso vulcano[RED] Technical Specification: Decal[D]
2	2H003190000EQ	Mudguard cover	1	Colour: Grigio Atacama[GREY] Technical Specification: Decal[D]
2	2B005328	Mudguard cover	1	Colour: Blank[GR]
2	2H003212000Q4	Mudguard cover	1	Colour: Yellow Sahara Special[YEL] Technical Specification: Decal[D]
2	2H003311000Q4	Mudguard cover	1	Colour: Red kalahari Special[ROS] Technical Specification: Decal[D]
2	2H003190000YR9	Mudguard cover	1	Colour: Rosso vulcano[RED] Technical Specification: Decal[D]
2	2H003190000YE8	Mudguard cover	1	Colour: Blu Atlante[BLUE] Technical Specification: Decal[D]
3	2B005327000Q4	Front mudguard	1	Colour: Yellow Sahara Special[YEL] Red kalahari Special[ROS]
3	2B005327000EQ	Front mudguard	1	Colour: Grigio Atacama[GREY]
3	2B005327	Front mudguard	1	Colour: Blank[GR]
3	2B005327000YR9	Front mudguard, red	1	Colour: Rosso vulcano[RED]
3	2B005327000YE8	Front mudguard	1	Colour: Blu Atlante[BLUE]
4	2B005530	Grid	1	
5	AP8150413	Self-tap screw 3,9x14	8	
6	AP8152299	Self-locking nut M6	4	
7	2B005945	Stud bolt	4	

Group	Body
Code	02.030
Description	Front mudguard-Pillar
Service	1



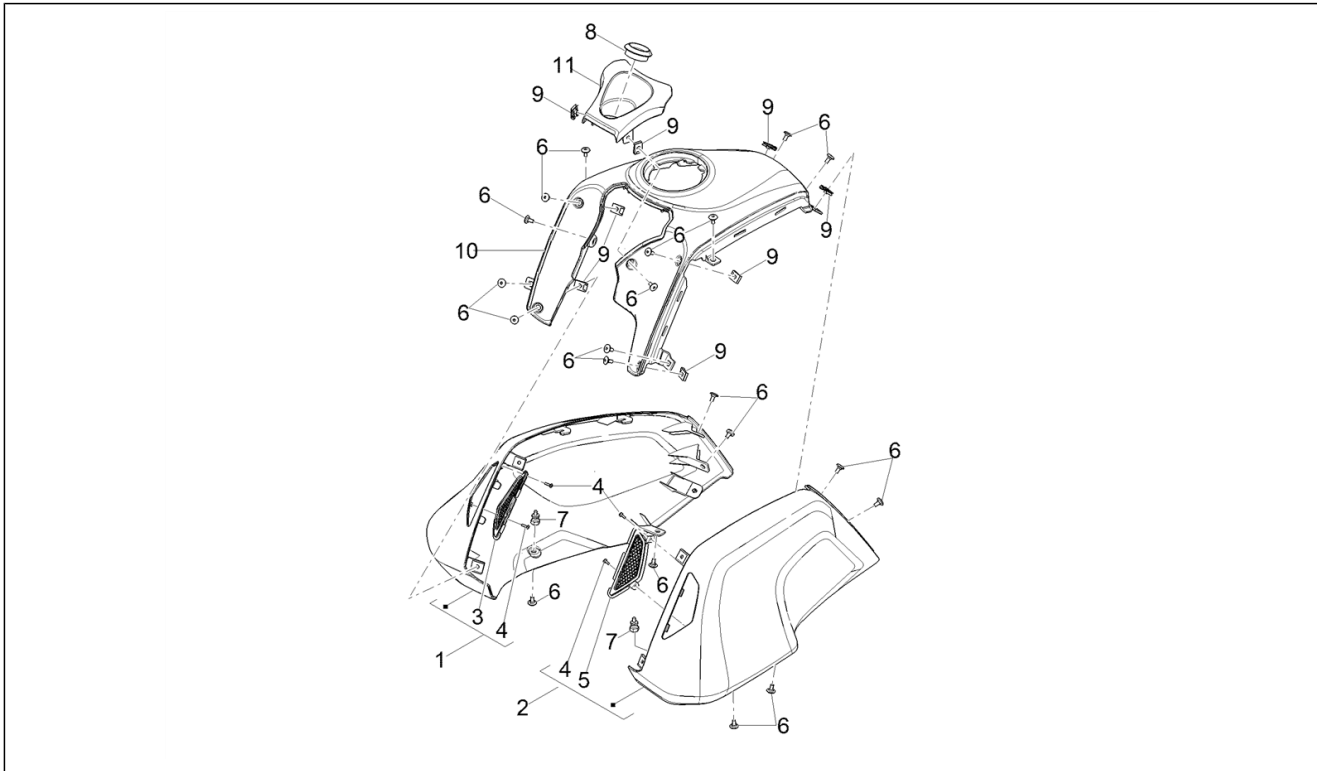
Pos.	Code	Description	Qty	Variants
8	AP8221341	T bush	4	
9	AP8152287	Screw w/ flange M8x25	4	
10	AP8221128	T bush 8,5x10,7x12	4	
11	AP8120030	Rubber spacer	4	
12	AP8152285	Screw w/ flange	4	
13	2B004655	Sump guard	1	
14	575268	Spring plate M8	4	
15	2B004657	Rear stirrup	1	
16	2B004656	Front stirrup	1	

Group	Body
Code	02.050
Description	Windshield
Service	1



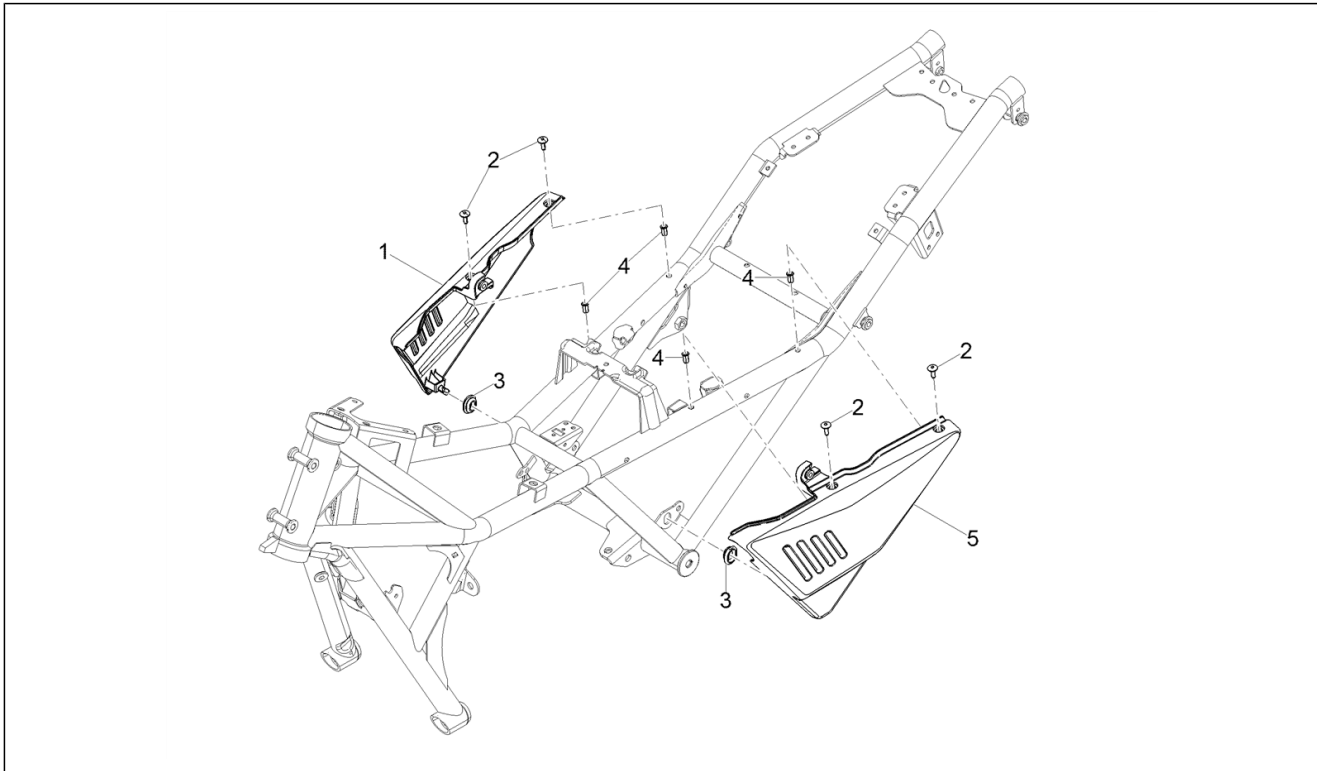
Pos.	Code	Description	Qty	Variants
1	2B005664	Windshield	1	
2	AP8224470	Hex socket screw M6x20	4	
3	GU32578410	Bushing	4	
4	GU32577910	Rubber spacer 10x25	4	
5	2B005819	Bush	4	
6	2B002187	Hex socket screw M6x10	4	
7	2B005453	Windscreen support	1	
8	2B005508	Bush	4	
9	2B005510	Threaded bush M6	2	
10	2B005511	Threaded bush M6	2	
11	GU98370616	Hex socket screw M6x16 inox	2	
12	GU98692325	Hex socket screw M6x25	2	
13	AP8150378	Washer 6,4x18x2	2	

Group	Body
Code	02.090
Description	Tank cover
Service	1



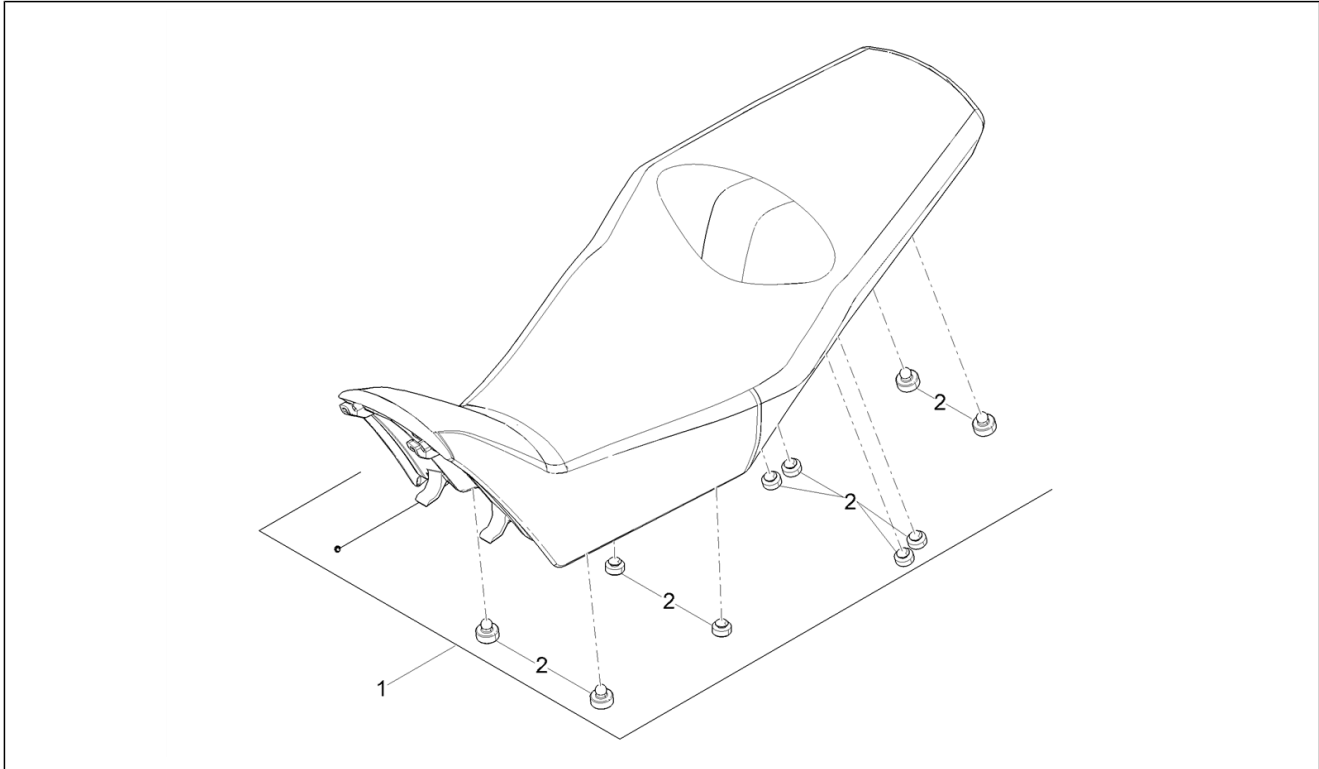
Pos.	Code	Description	Qty	Variants
1	2H003243000YR9	Fuel tank cover, red	1	Colour: Rosso vulcano[RED] Technical Specification: Decal[D]
1	2H003245000Z1	Right fuel tank cover	1	Colour: Yellow Sahara Special[YEL]
1	2H003306000Z2	Right fuel tank cover	1	Colour: Red kalahari Special[ROS]
1	2H003243000EQ	Grey painted fuel tank cover	1	Colour: Grigio Atacama[GREY] Technical Specification: Decal[D]
1	2H003243000YE8	Right fuel tank cover	1	Colour: Blu Atlante[BLUE] Technical Specification: Decal[D]
1	2B006062	Right fuel tank cover	1	Colour: Blank[GR]
2	2H003246000Z1	Left fuel tank cover	1	Colour: Yellow Sahara Special[YEL] Technical Specification: Decal[D]
2	2H003307000Z2	Left fuel tank cover	1	Colour: Red kalahari Special[ROS]
2	2H003244000YR9	Fuel tank cover, red	1	Colour: Rosso vulcano[RED] Technical Specification: Decal[D]
2	2H003244000EQ	Grey painted fuel tank cover	1	Colour: Grigio Atacama[GREY] Technical Specification: Decal[D]
2	2H003244000YE8	Left fuel tank cover	1	Colour: Blu Atlante[BLUE] Technical Specification: Decal[D]
2	2B006063	Left fuel tank cover	1	Colour: Blank[GR]
3	2B005464	Right cover grille	1	
4	AP8150421	Self-tap screw 2,9x12	4	
5	2B005463	Left cover grille	1	
6	AP8150500	Hex socket screw M5x9	14	
7	2B005486	Stud bolt	2	
8	AP8127461	Main switch seal	6	
9	AP8102375	Clip M5	10	
10	2B005462	Cover plug	1	
11	2B005467	Cover	1	

Group	Body
Code	02.100
Description	Central body
Service	1



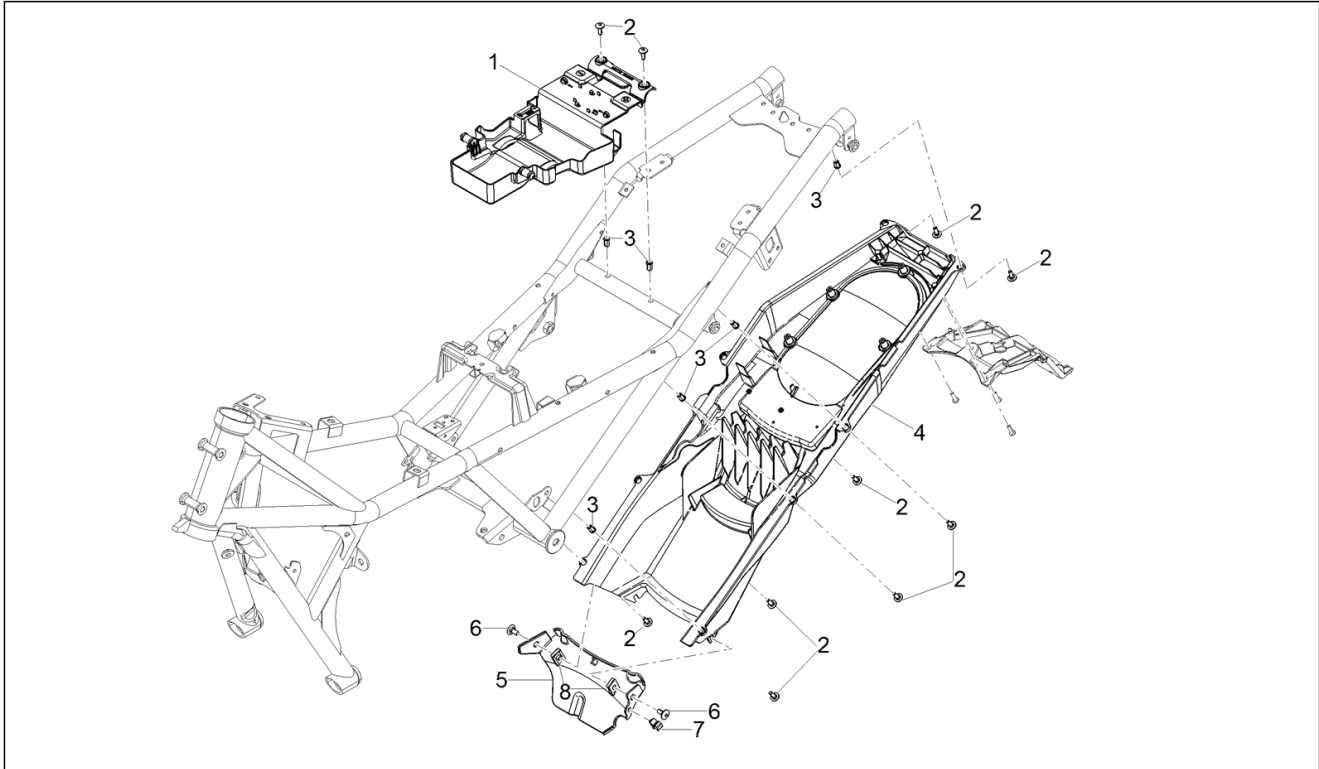
Pos.	Code	Description	Qty	Variants
1	2H003191000YR9	RH side panel, red	1	Colour: Rosso vulcano[RED] Technical Specification: Decal[D]
1	2H003312000Z2	RH side panel, red	1	Colour: Red kalahari Special[ROS] Technical Specification: Decal[D]
1	2H003213000Z1	RH side panel, yellow	1	Colour: Yellow Sahara Special[YEL] Technical Specification: Decal[D]
1	2H003191000YE8	RH side panel	1	Colour: Blu Atlante[BLUE] Technical Specification: Decal[D]
1	2B005181	RH side panel, blank	1	Colour: Blank[GR]
1	2H003191000EQ	Grey RH side panel	1	Colour: Grigio Atacama[GREY] Technical Specification: Decal[D]
2	2H003192000YR9	LH side panel, red	1	Colour: Rosso vulcano[RED] Technical Specification: Decal[D]
2	AP8152302	Screw w/ flange M5x12	4	
3	AP8220162	Rubber spacer	2	
4	AP8201755	Threaded rivet	4	
5	2H003313000Z2	LH side fairing	1	Colour: Red kalahari Special[ROS] Technical Specification: Decal[D]
5	2H003214000Z1	LH side panel, yellow	1	Colour: Yellow Sahara Special[YEL] Technical Specification: Decal[D]
5	2H003192000YE8	LH side fairing	1	Technical Specification: Decal[D]
5	2B005182	LH side panel, blank	1	Colour: Blank[GR]
5	2H003192000EQ	Grey LH side panel	1	Colour: Grigio Atacama[GREY] Technical Specification: Decal[D]

Group	Body
Code	02.120
Description	Saddle
Service	1



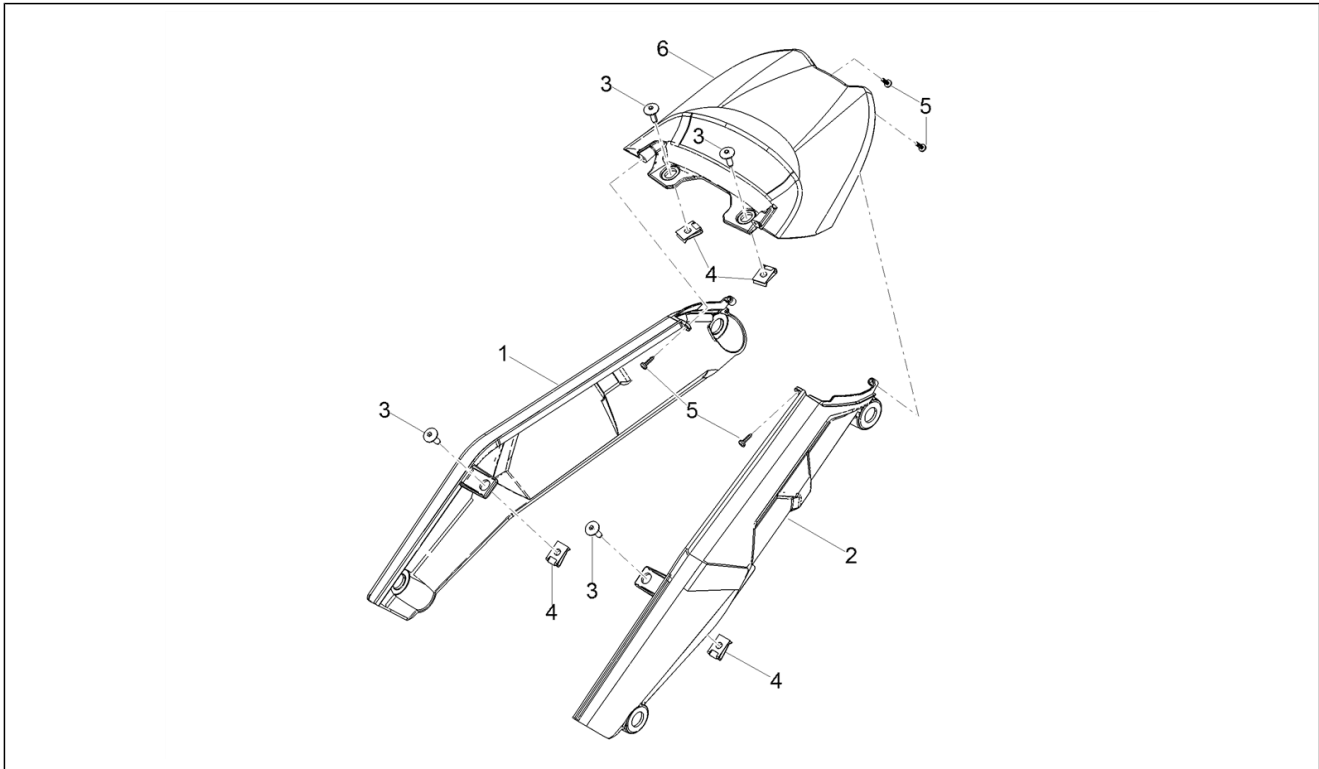
Pos.	Code	Description	Qty	Variants
1	2B005099000C1	Saddle	1	Colour: Blu Atlante[BLUE] Grigio Atacama[GREY] Rosso vulcano[RED]
1	2B005099000C2	Saddle	1	Colour: Yellow Sahara Special[YEL] Red kalahari Special[ROS]
2	B064023	Saddle rubber	10	

Group	Body
Code	02.130
Description	Saddle compartment
Service	1



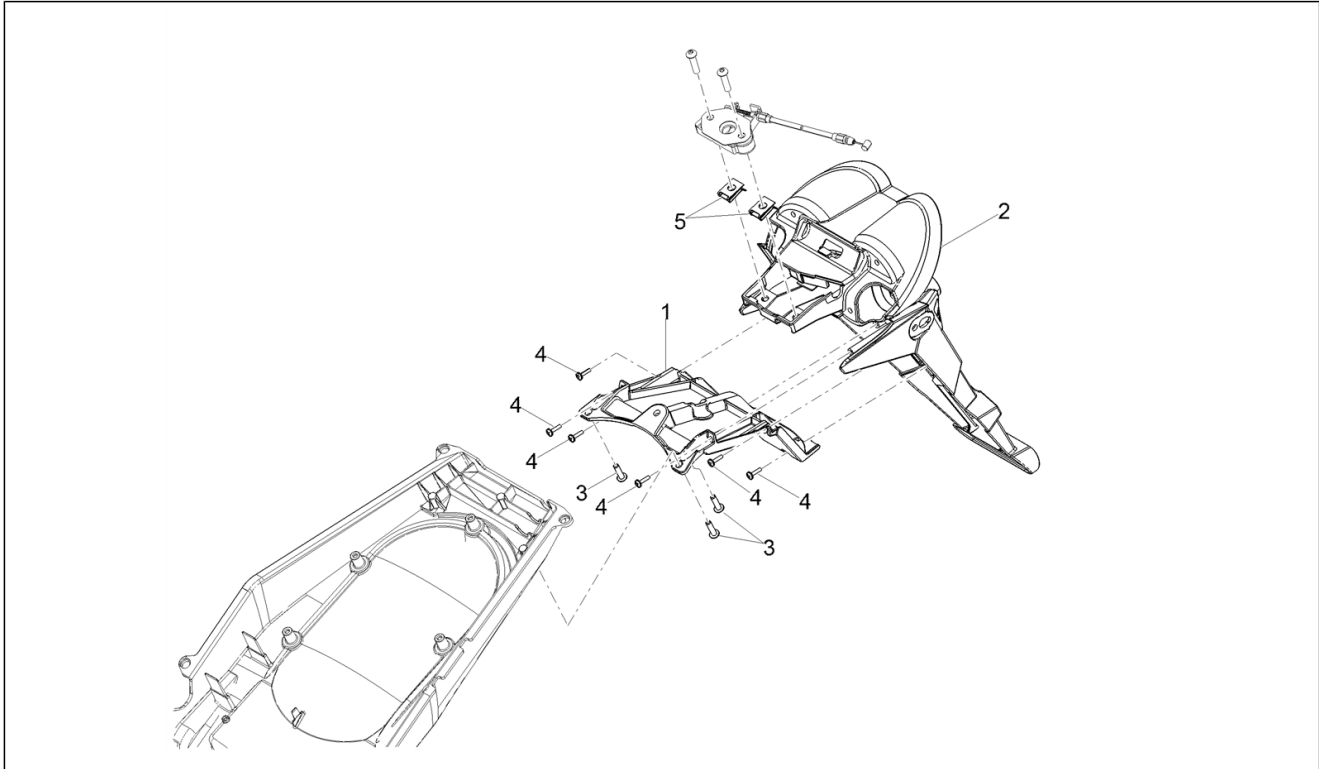
Pos.	Code	Description	Qty	Variants
1	2B005443	Glovebox compartment	1	
2	AP8152302	Screw w/ flange M5x12	10	
3	AP8201755	Threaded rivet	10	
4	2B005442	Battery box	1	
5	2B005846	Brake hose protection	1	
6	AP8150500	Hex socket screw M5x9	2	
7	2B004088	Fastener cable	1	
8	AP8102375	Clip M5	1	

Group	Body
Code	02.140
Description	Rear body
Service	1



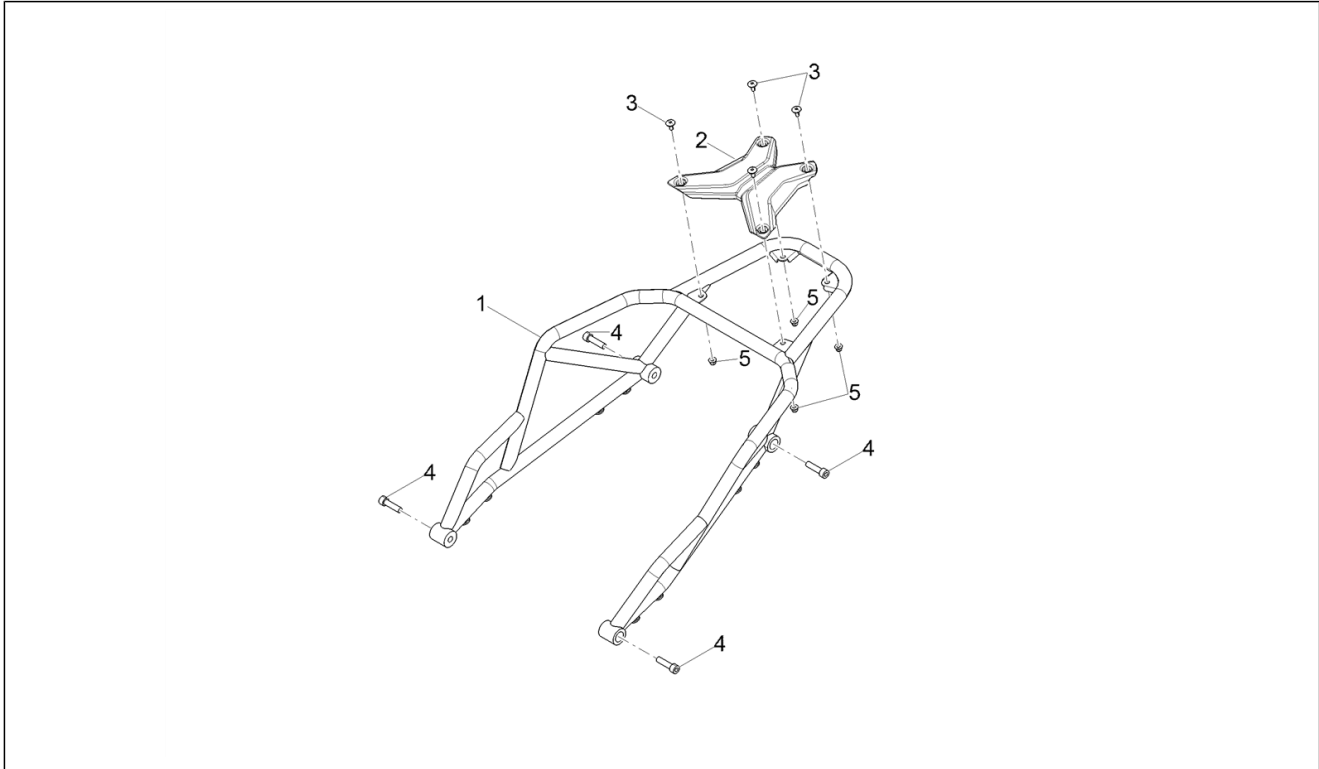
Pos.	Code	Description	Qty	Variants
1	2B005352	Right rear cover	1	
2	2B005353	Left rear cover	1	
3	AP8152302	Screw w/ flange M5x12	4	
4	AP8102375	Clip M5	4	
5	296141	Self tapping screw	4	
6	2B005354	Rear protection	1	

Group	Body
Code	02.150
Description	Rear mudguard
Service	1



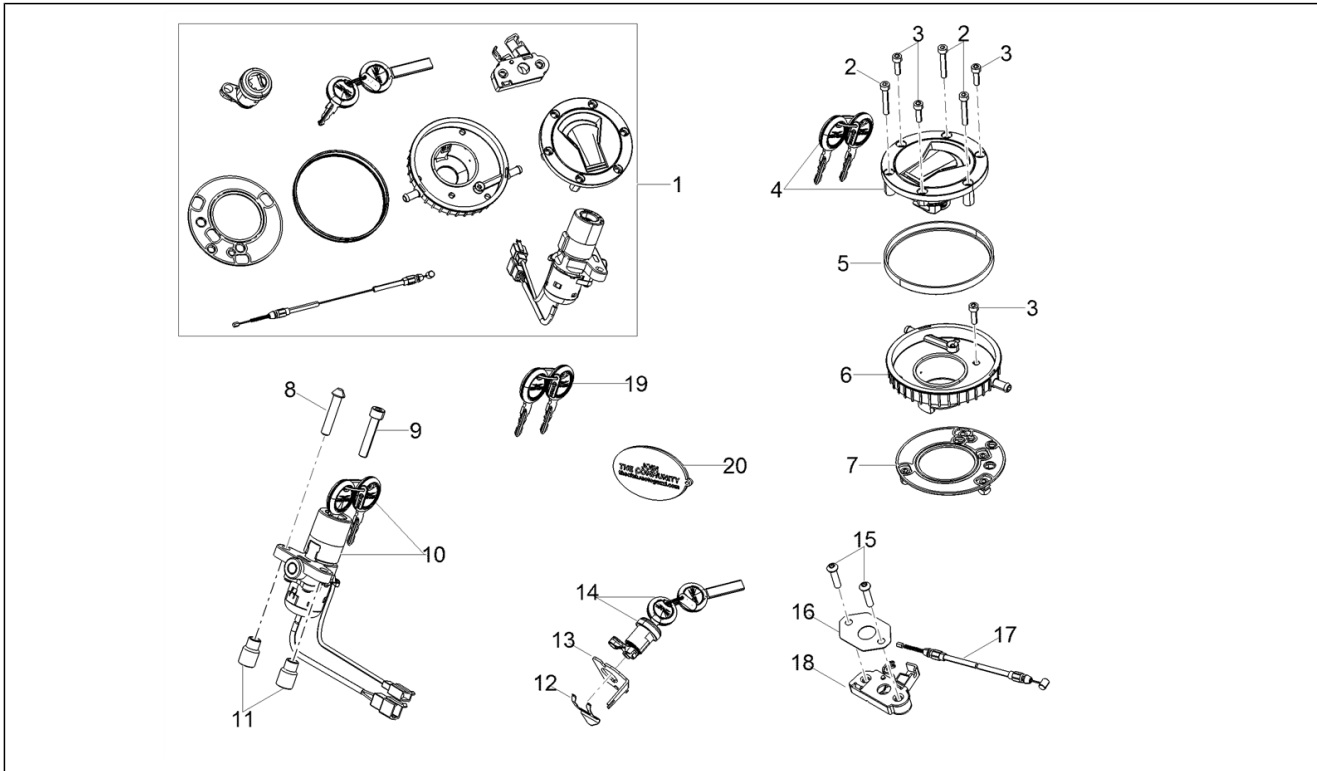
Pos.	Code	Description	Qty	Variants
1	2B005694	License plate fastener	1	
2	2B005451	License plate	1	
3	AP8152329	Phillips screw, SWP M5x20	3	
4	AP8150413	Self-tap screw 3,9x14	6	
5	254485	Spring plate M6	2	

Group	Body
Code	02.160
Description	Luggage rack
Service	1



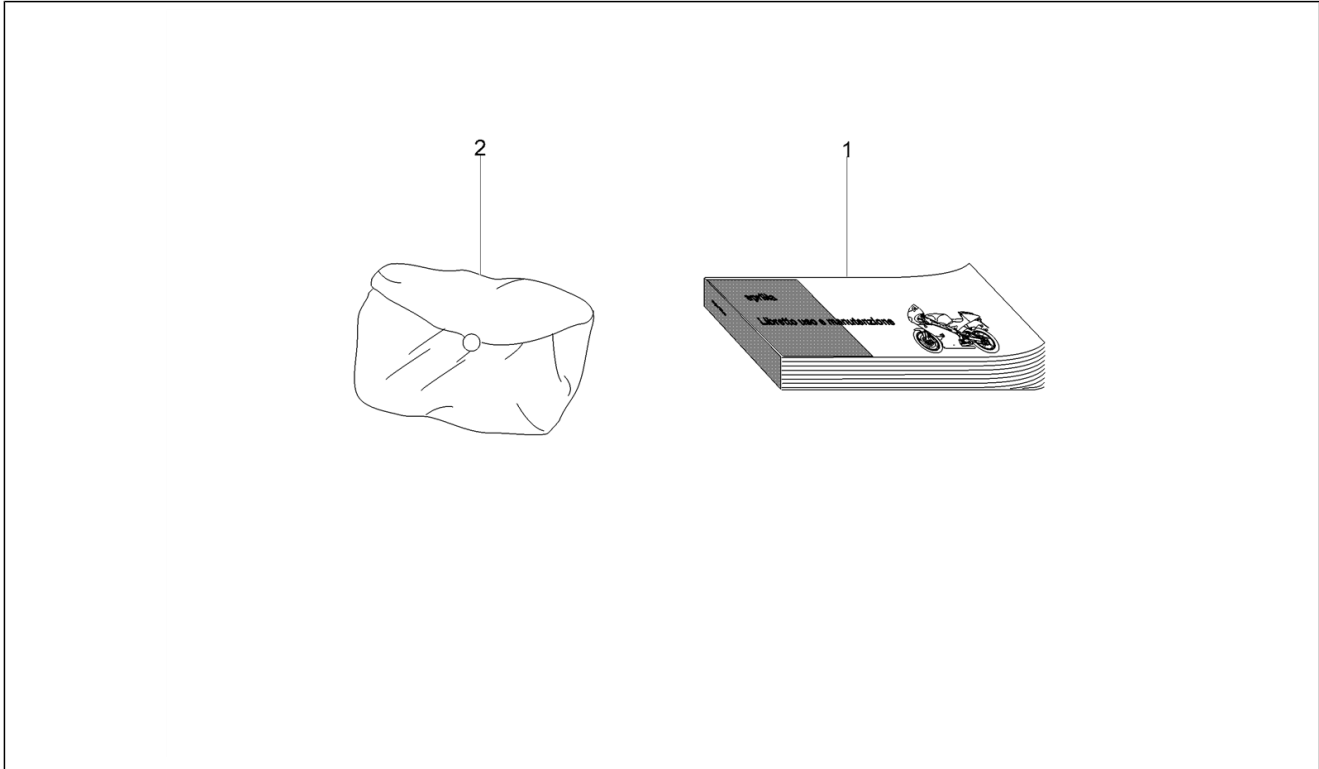
Pos.	Code	Description	Qty	Variants
1	2B005292000YR8	Luggage rack, red	1	Colour: Yellow Sahara Special[YEL] Red kalahari Special[ROS]
1	2B005292000YE9	Luggage rack	1	Colour: Blu Atlante[BLUE] Grigio Atacama[GREY] Rosso vulcano[RED]
2	2B005779	Tyre	1	
3	AP8150500	Hex socket screw M5x9	4	
4	GU98682430	Hex socket screw M8x30	4	
5	AP8152306	Self-locking nut M5	4	

Group	Body
Code	02.170
Description	Locks
Service	1



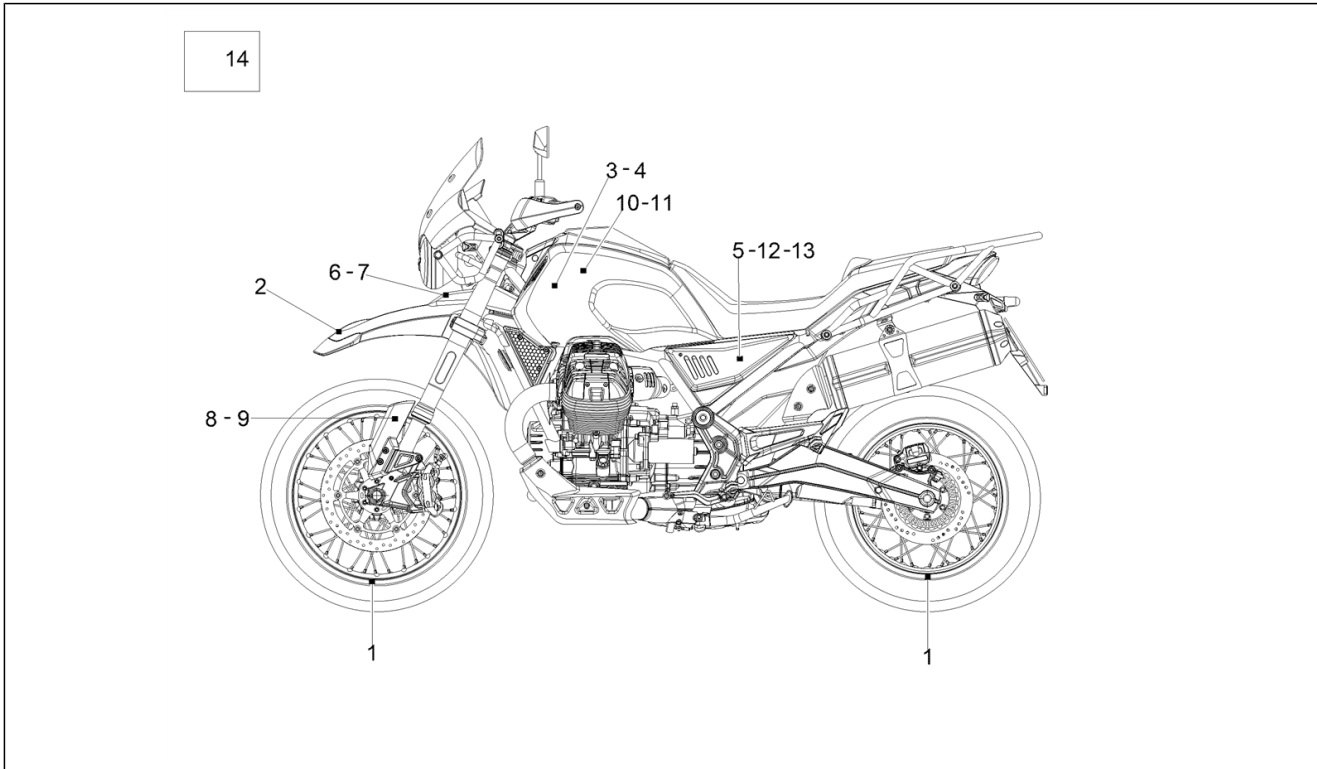
Pos.	Code	Description	Qty	Variants
1	2B005579	Lock kit	1	
2	AP8150453	Hex socket screw M5x30	3	
3	AP8150454	Hex socket screw M5x16	4	
4	2B005681	Fuel filler cap and lock	1	
5	899105	Fuel filler cap gasket	1	
6	899107	Fuel chamber	1	
7	899106	Gasket	1	
8	AP8150351	Shear rivet M8x40	1	
9	AP8150171	Hex socket screw M8x40	1	
10	2D000496	Key switch	1	
11	856180	Spacer *	2	
12	AP8121420	Fork spring	1	
13	978415	Cable fixing plate	1	
14	2B005680	Seat lock with key	1	
15	GU98370625	Hex socket screw M6x25	1	
16	886820	Saddle lock fix. plate	1	
17	2B005651	Saddle release cable	1	
18	899543	Lock attachment plate	1	
19	2B005184	Key with simple transponder	1	
20	2B004276	Key-fob "THE CLAN"	1	

Group	Body
Code	02.180
Description	Plate set / Various
Service	1



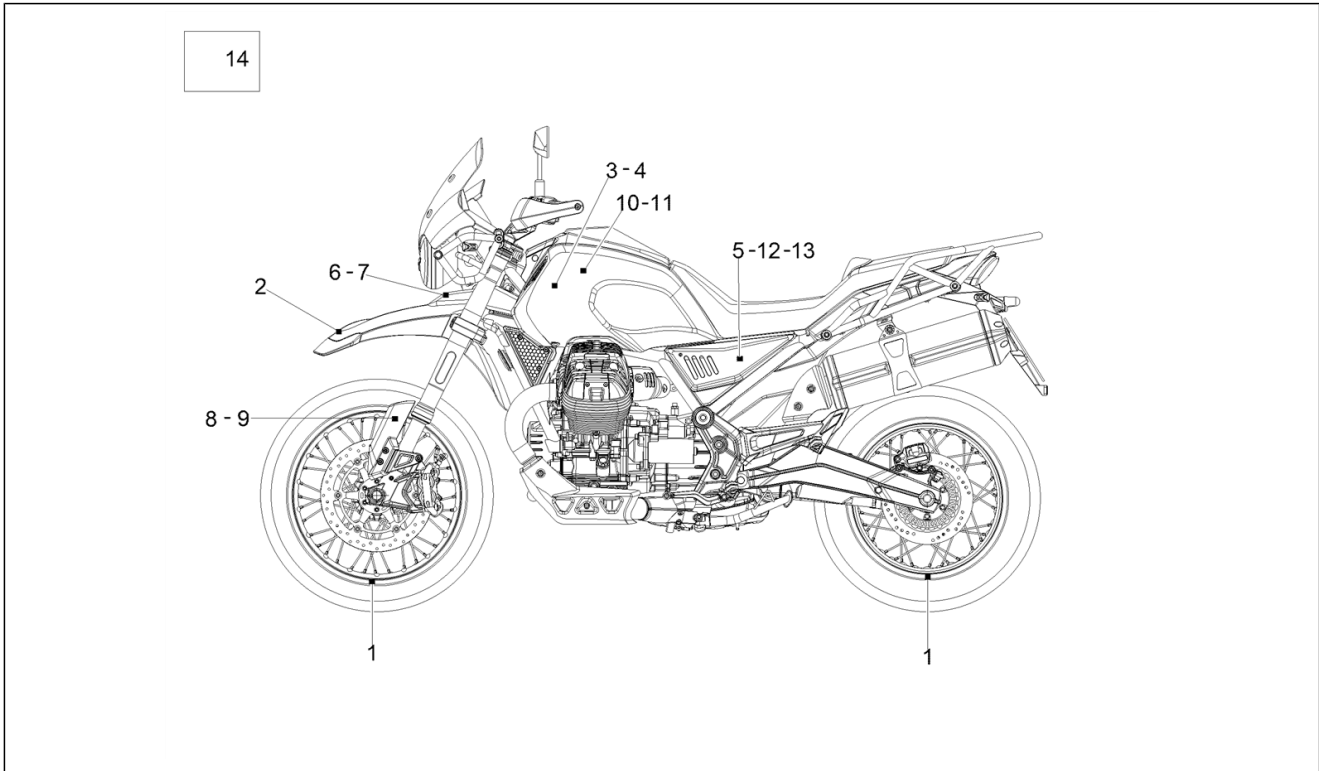
Pos.	Code	Description	Qty	Variants
1	2Q000387	Op's handbook I-F-D-NL-E-UK	1	
2	2B006272	Toolkit	1	

Group	Body
Code	02.190
Description	Decal
Service	1



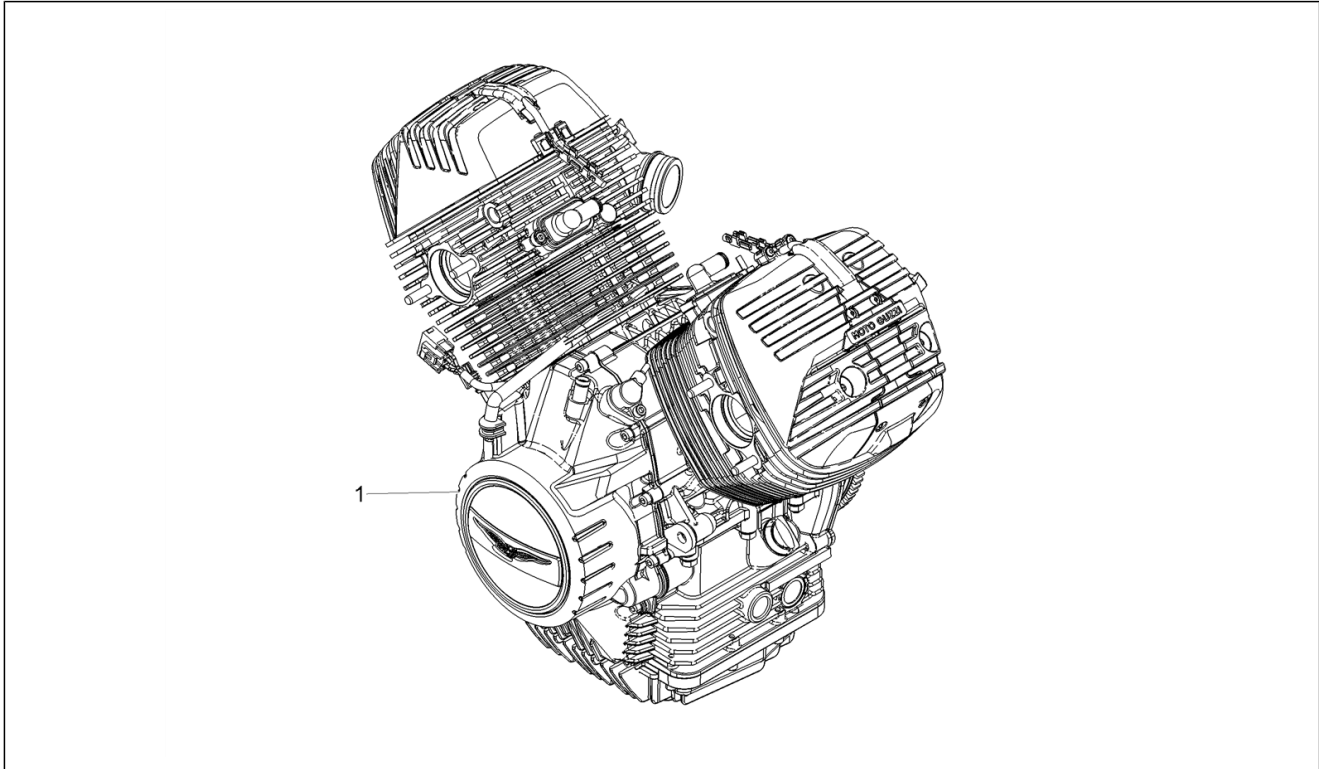
Pos.	Code	Description	Qty	Variants
1	887971	Decal "Moto Guzzi"	1	Colour:Blu Atlante[BLUE] Yellow Sahara Special[YEL] Red kalahari Special[ROS] Grigio Atacama[GREY] Rosso vulcano[RED]
2	2H001260	"Aquila" decal	1	Colour:Blu Atlante[BLUE] Yellow Sahara Special[YEL] Red kalahari Special[ROS] Grigio Atacama[GREY] Rosso vulcano[RED]
3	2H003127	""Aquila"" right tank decal"	1	Colour:Blu Atlante[BLUE] Yellow Sahara Special[YEL] Red kalahari Special[ROS] Grigio Atacama[GREY] Rosso vulcano[RED]
4	2H003128	""Aquila"" left tank decal"	1	Colour:Blu Atlante[BLUE] Yellow Sahara Special[YEL] Red kalahari Special[ROS] Grigio Atacama[GREY] Rosso vulcano[RED]
5	2H003185	LH-RH side fairing decal	1	Colour:Blu Atlante[BLUE] Grigio Atacama[GREY] Rosso vulcano[RED]
6	2H003314	RH strip decal	1	Colour:Red kalahari Special[ROS]
6	2H003217	RH strip decal	1	Colour:Yellow Sahara Special[YEL]
7	2H003315	LH strip decal	1	Colour:Red kalahari Special[ROS]
7	2H003218	LH strip decal	1	Colour:Yellow Sahara Special[YEL]
8	2H003219	RH Guard decal	1	Colour:Yellow Sahara Special[YEL]
8	2H003316	RH Guard decal	1	Colour:Red kalahari Special[ROS]
9	2H003220	LH Guard decal	1	Colour:Yellow Sahara Special[YEL]
9	2H003317	LH Guard decal	1	Colour:Red kalahari Special[ROS]
10	2H003318	RH strip decal	1	Colour:Red kalahari Special[ROS]
10	2H003221	RH strip decal	1	Colour:Yellow Sahara Special[YEL]
11	2H003319	LH strip decal	1	Colour:Red kalahari Special[ROS]
11	2H003222	LH strip decal	1	Colour:Yellow Sahara Special[YEL]
12	2H003223	RH side fairing decal "V85 TT"	1	Colour:Yellow Sahara Special[YEL]
12	2H003320	RH side fairing decal "V85 TT"	1	Colour:Red kalahari Special[ROS]
13	2H003224	LH side fairing decal "V85 TT"	1	Colour:Yellow Sahara Special[YEL]
13	2H003321	LH side fairing decal "V85 TT"	1	Colour:Red kalahari Special[ROS]

Group	Body
Code	02.190
Description	Decal
Service	1



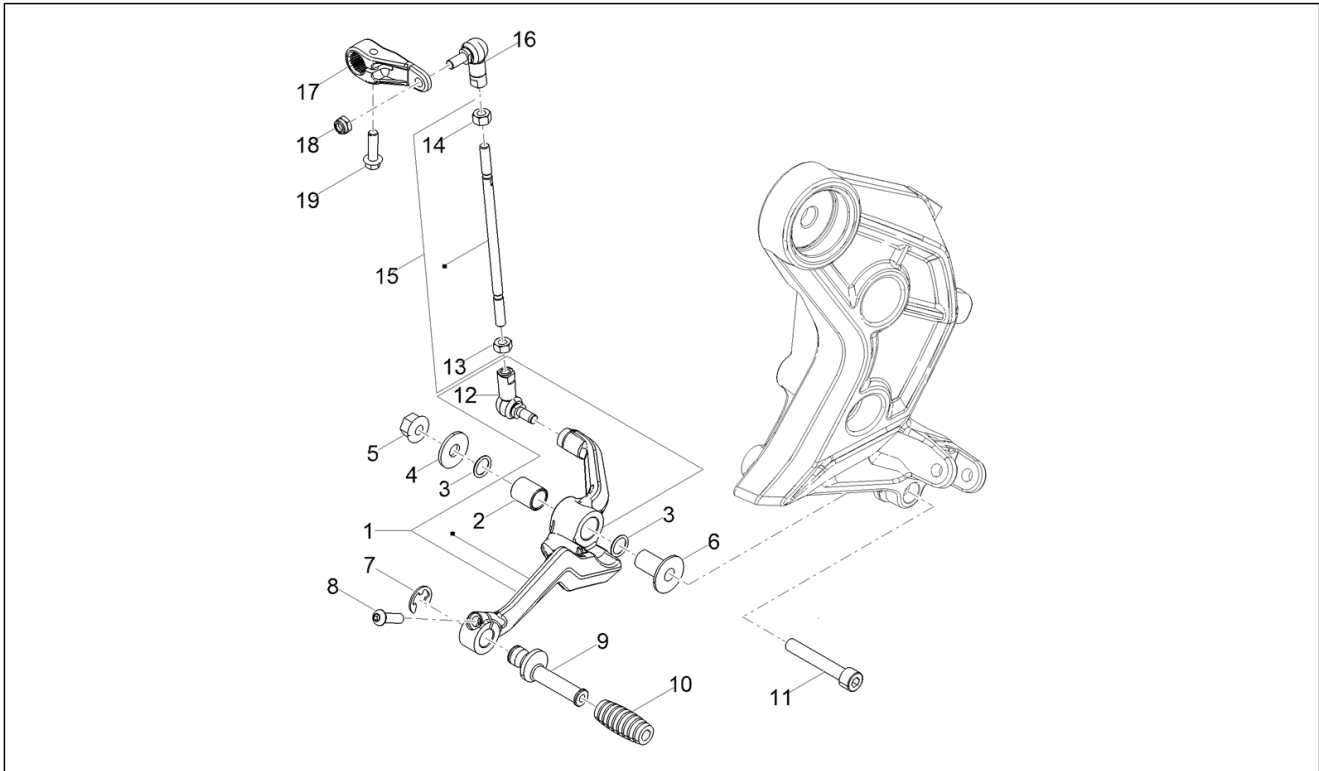
Pos.	Code	Description	Qty	Variants
14	2B006287	Tyre pressure decal	1	Colour: Blu Atlante[BLUE] Yellow Sahara Special[YEL] Red kalahari Special[ROS] Grigio Atacama[GREY] Rosso vulcano[RED]

Group	Engine
Code	03.010
Description	Engine-Completing part-Lever
Service	1



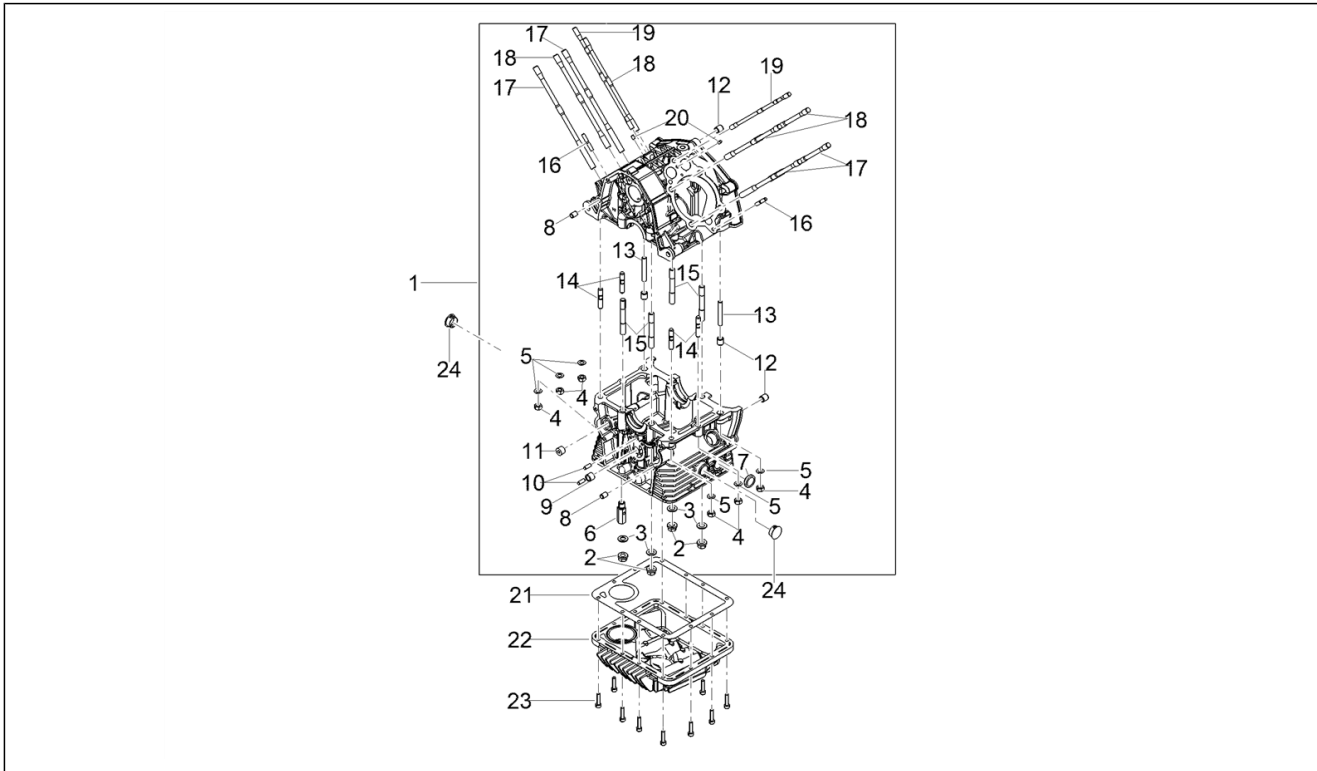
Pos.	Code	Description	Qty	Variants
1	1A0111375	Engine assy w/hout transm.	1	

Group	Engine
Code	03.020
Description	Gear lever
Service	1



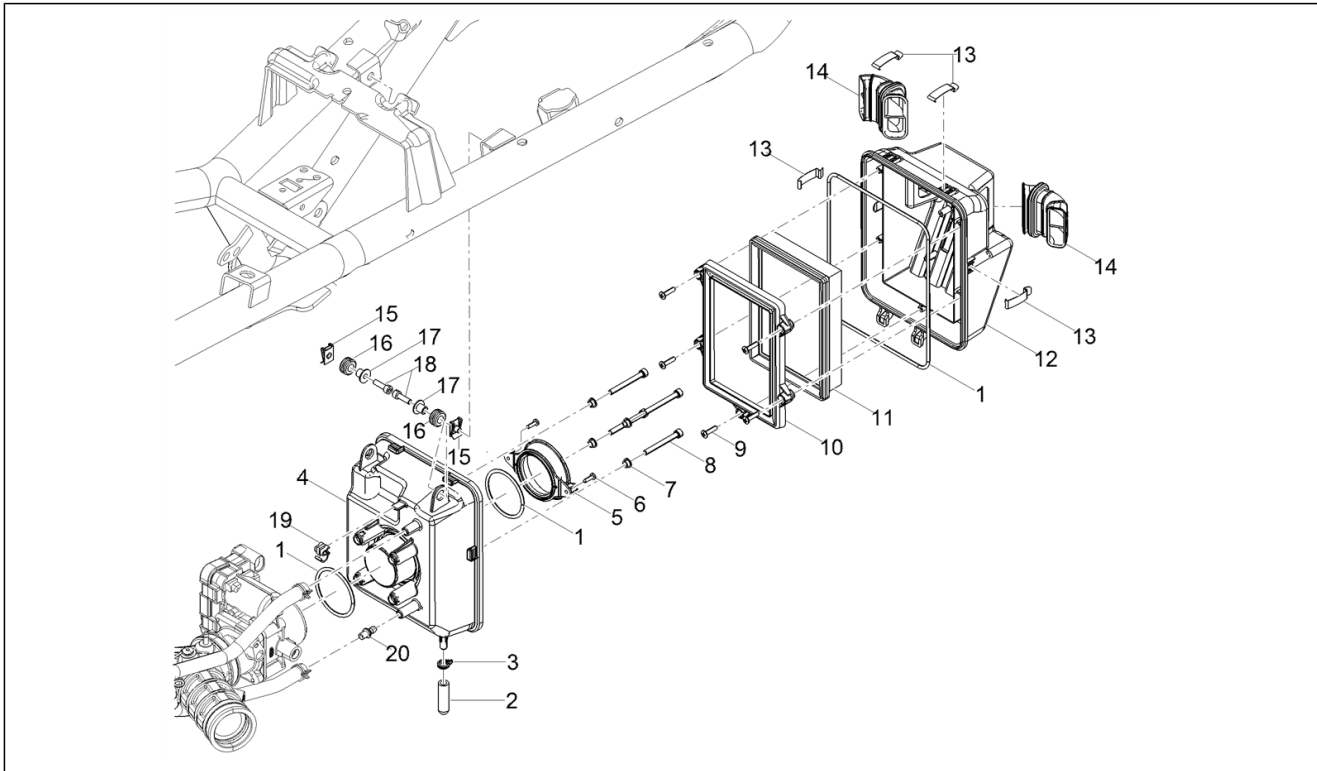
Pos.	Code	Description	Qty	Variants
1	2B004670	Complete gearchange lever	1	
2	895328	Sintered bushing	1	
3	AP8144007	O-ring 11,11x1,78	2	
4	AP8150018	Washer	1	
5	967363	Nut M8x1,25	1	
6	AP8121509	Bush	1	
7	AP8150462	Circlip d9	1	
8	AP8224470	Hex socket screw M6x20	1	
9	AP8121221	Brake lever pin	1	
10	AP8120912	Lever rubber	1	
11	GU98680450	Hex socket screw M8x50	1	
12	2B004821	RH ball joint	1	
13	GU92609206	Nut M6	1	
14	GU03256800	Nut M6	1	
15	2B004704	Gear control tie rod	1	
16	898397	Left ball joint M6	1	
17	2B0051099	Shift lever	1	
18	AP8150115	Low self-locking nut M6	1	
19	2B004560	M6x20 pre-coated hex head screw	1	

Group	Engine
Code	03.030
Description	Crankcases I
Service	1



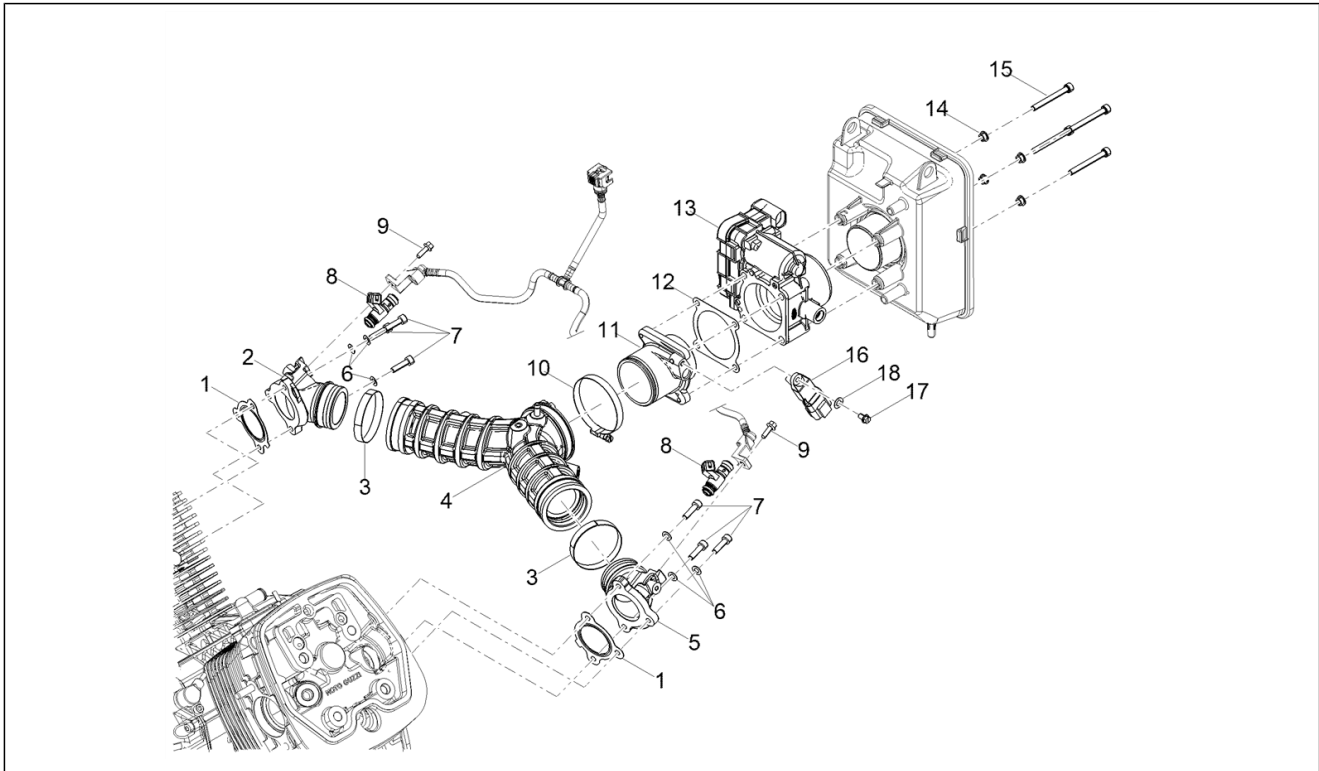
Pos.	Code	Description	Qty	Variants
1	1A0143906	Coupled crankcase	1	
2	1A006656	Flanged nut M10x1	4	
3	1A006655	Flat washer	4	
4	GU92606208	Nut M8x1,25	6	
5	658837	Crinkle washer D15 F8,4 S1,5 - INOX	6	
6	GU19003800	Joint	1	
7	485693	Oil level indicator	1	
8	GU19002020	Bushing 6,6x9x13	2	
9	976168	Roller cage 10x14x12	1	
10	GU19018920	Pin	2	
11	831135	Plug M14x1,5	1	
12	GU19015020	Bushing	4	
13	GU96508055	Stud bolt	2	
14	GU96451430	Stud bolt	4	
15	1A004530	Stud bolt	4	
16	1A008256	Stud bolt	2	
17	1A008102	Long head stud bolt	4	
18	1A008103	Short head stud bolt	4	
19	1A008104	Central head stud bolt	2	
20	484993	Locating dowel	1	
21	1A014777	Sump gasket	1	
22	1A015044	Pan oil	1	
23	GU98682325	Hex socket screw M6x25	12	
24	2B006262	Cover	2	

Group	Engine
Code	03.050
Description	Air box
Service	1



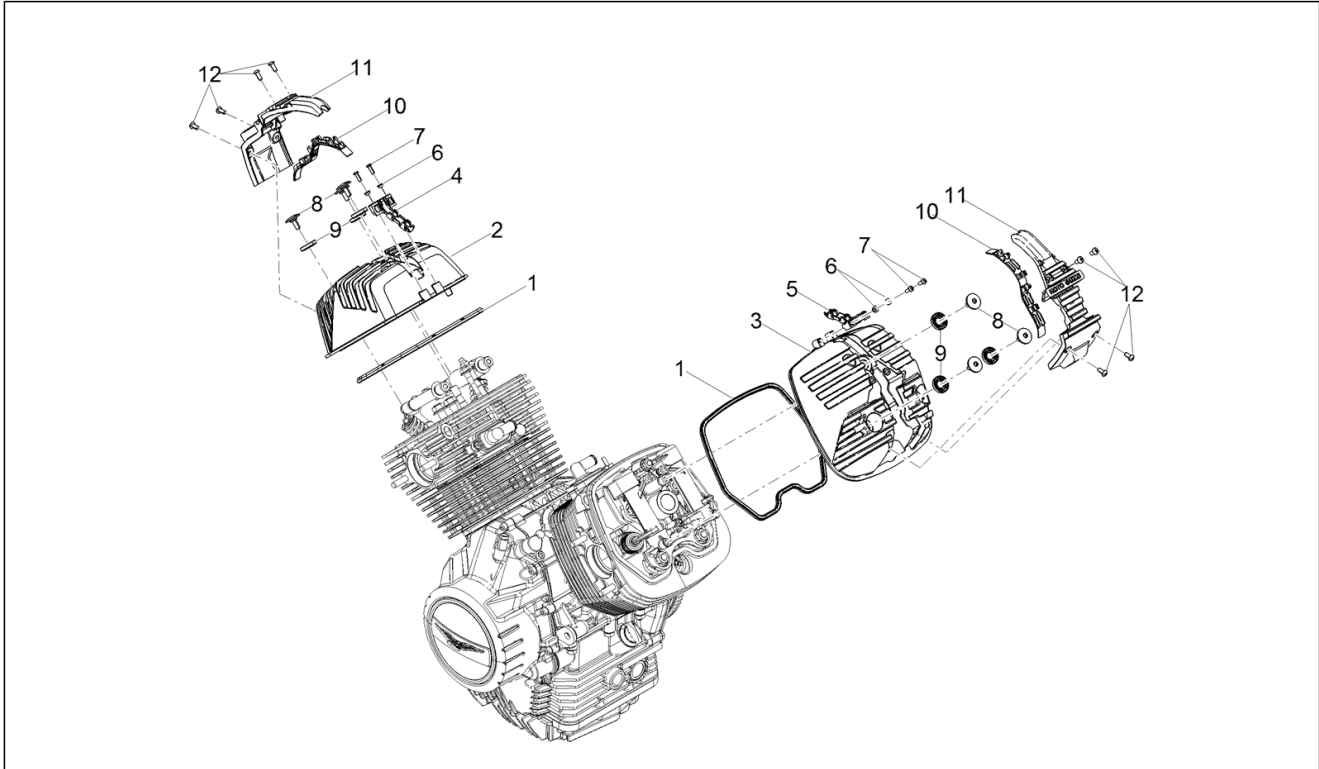
Pos.	Code	Description	Qty	Variants
1	AP8120593	Gasket D4	1	
2	AP8161054	Cap	1	
3	AP8102520	Hose clamp	1	
4	2B004460	Filter housing cover	1	
5	2B004959	Intake duct	1	
6	AP8150362	Self-tapping screw *	2	
7	887282	T bushing	4	
8	AP8150045	Hex socket screw M6x55	4	
9	AP8152329	Phillips screw, SWP M5x20	5	
10	886867	Filter support	1	
11	AP8104329	Air filter	1	
12	2B004461	Filter holder	1	
13	622236	Spring	4	
14	886861	Intake hose	2	
15	254485	Spring plate M6	2	
16	AP8120030	Rubber spacer	2	
17	AP8221023	T bush	2	
18	AP8150044	Hex socket screw M6x20	2	
19	AP8201727	Black cable guide	1	
20	2B006185		1	

Group	Engine
Code	03.060
Description	Throttle body
Service	1



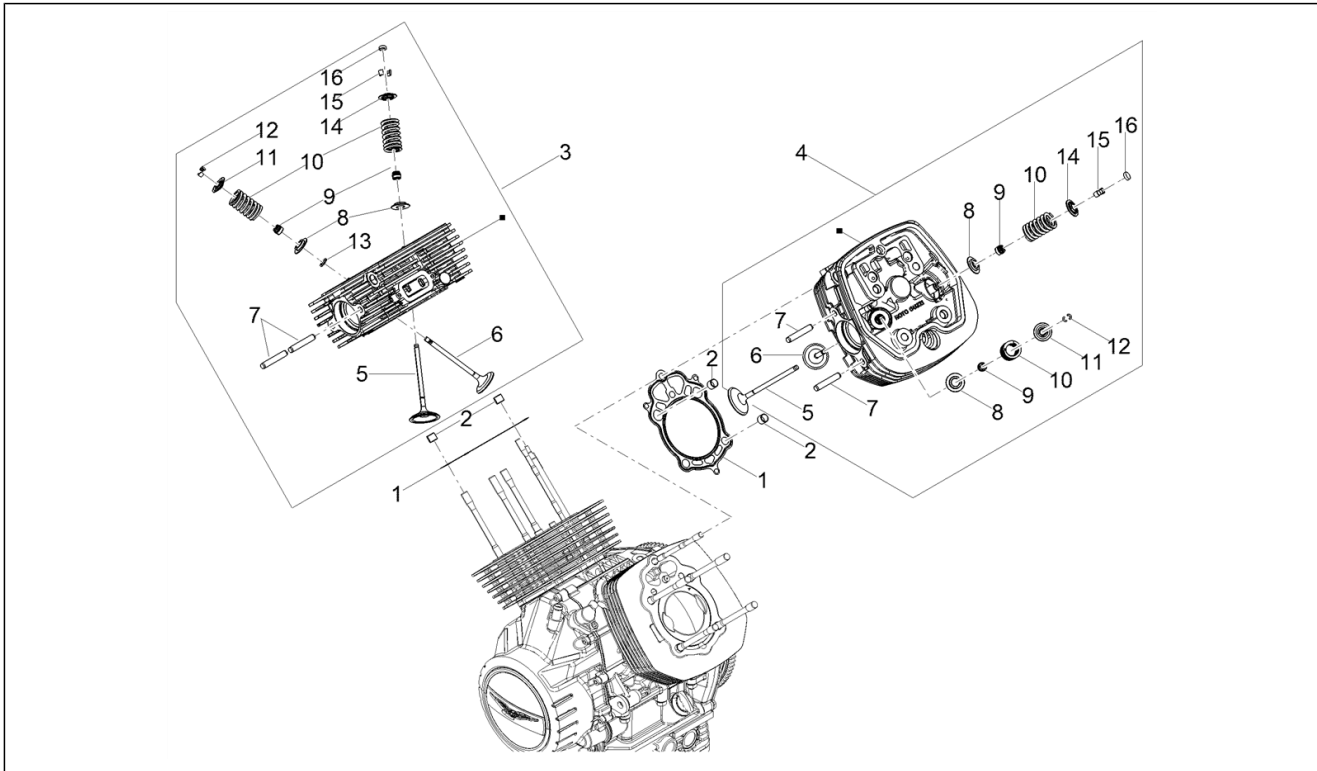
Pos.	Code	Description	Qty	Variants
1	1A009167	Gasket	2	
2	1A009154	RH intake connector	1	
3	CM258302	Hose clamp	2	
4	1A014996	Throttle body hose	1	
5	1A009088	LH intake connector	1	
6	GU03013800	Washer 6,4x12	6	
7	GU98622322	screw	6	
8	1D001393	Injector	2	
9	830061	Screw w/ flange M5x16	2	
10	AP8102401	Hose clamp D50-70x8*	1	
11	1A008090	Joint	1	
12	872264	Gasket	1	
13	872230	Throttle body	1	
14	887282	T bushing	4	
15	AP8150045	Hex socket screw M6x55	4	
16	887015	Air temp. Sensor	1	
17	2B002418	Screw w/ flange M6x16	1	
18	658837	Crinkle washer D15 F8,4 S1,5 - INOX	1	

Group	Engine
Code	03.090
Description	Head cover
Service	1



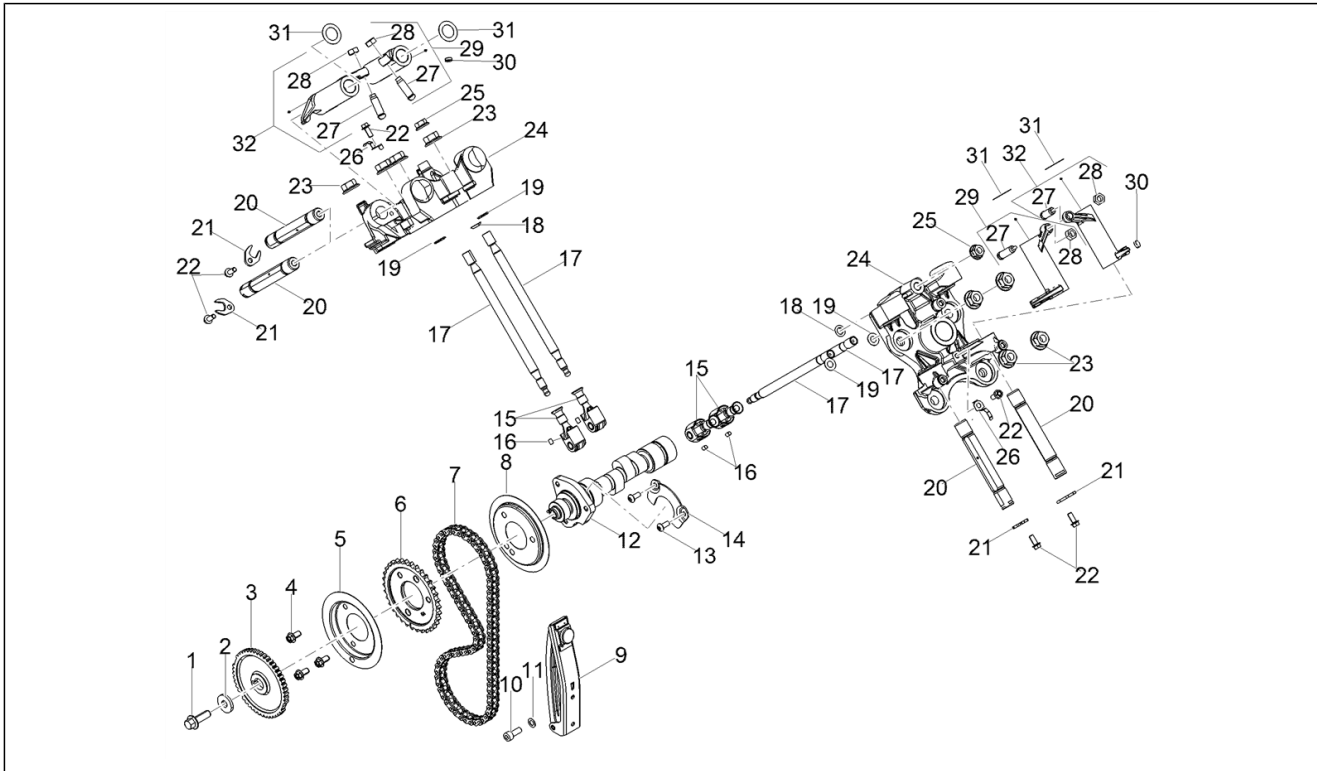
Pos.	Code	Description	Qty	Variants
1	2A000565	Head cover gasket	2	
2	1A013795	RH Head cover	1	
3	1A013793	LH Head cover	1	
4	2B006084	Spark plug cable retainer	1	
5	2B006083	Spark plug cable retainer	1	
6	2B003052	T bushing	4	
7	1A003444	Oval head screw	4	
8	976591	Special screw	6	
9	1A006716	Damper drift	6	
10	1A013822	Fairlead	2	
11	1A013796	Spark plug cover	2	
12	AP8152267	Hex socket screw M5x12	4	

Group	Engine
Code	03.100
Description	Cylinder head - valves
Service	1



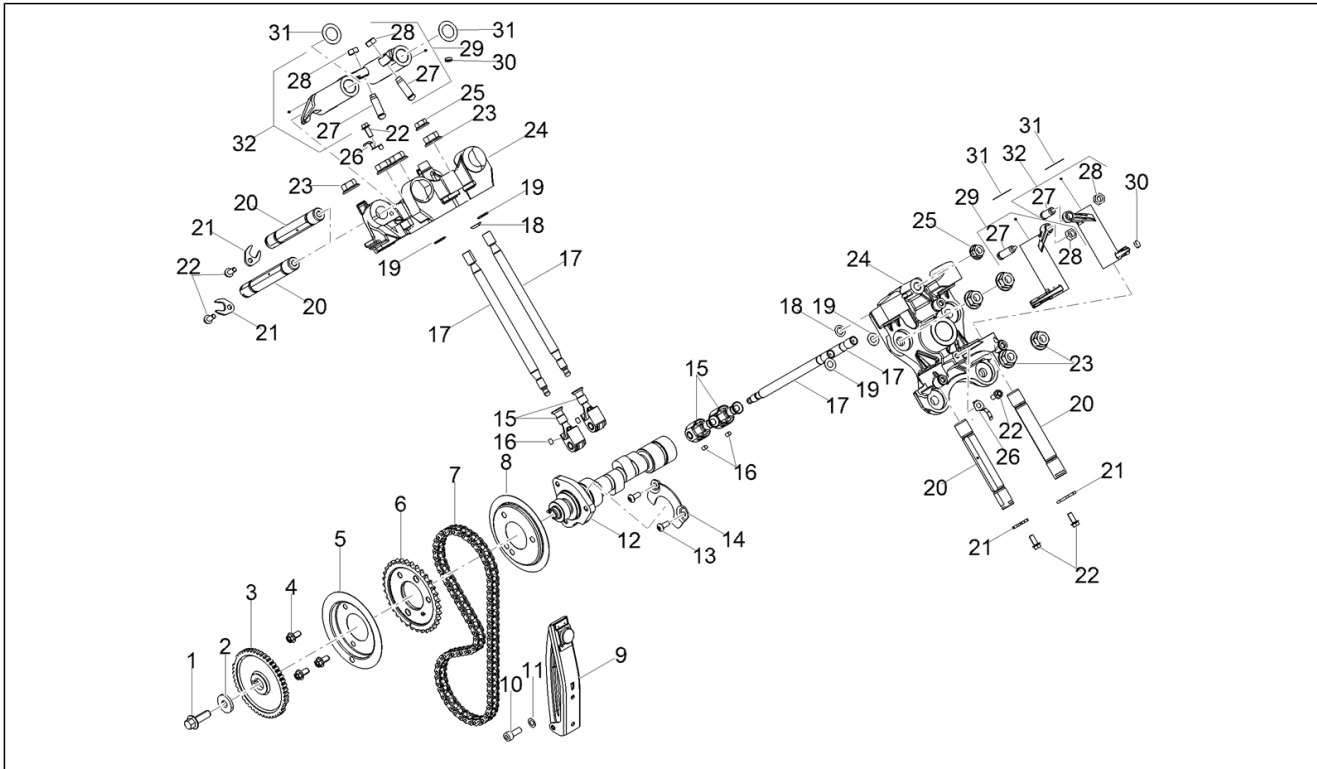
Pos.	Code	Description	Qty	Variants
1	1A004661	Cylinder/head gasket SP. 0.8 mm	1	
1	1A004662	Cylinder/head gasket SP. 10 mm	1	
1	1A004660	Cylinder/head gasket sp. 0,6 mm	1	
2	825597	Pin 11,8X10	4	
3	1A0151195	RH head assy w/h valve	1	
4	1A0151165	LH head assy with valve	1	
5	1A013108	Valve, in	2	
6	1A014459	Exhaust valve	2	
7	1A003632R	Stud bolt	4	
8	1A004751	Lower cap	2	
9	1A003452	Valve gasket ring	4	
10	1A011173	Valve return spring	1	
11	1A004750	Upper cap	2	
12	871640	Half-cone	4	
13	GU90353009	Snap ring	1	
14	1A012899	Upper cap	2	
15	1A011722	Half-cone	4	
16	1A011723	Valve terminal	2	

Group	Engine
Code	03.120
Description	Timing system
Service	1



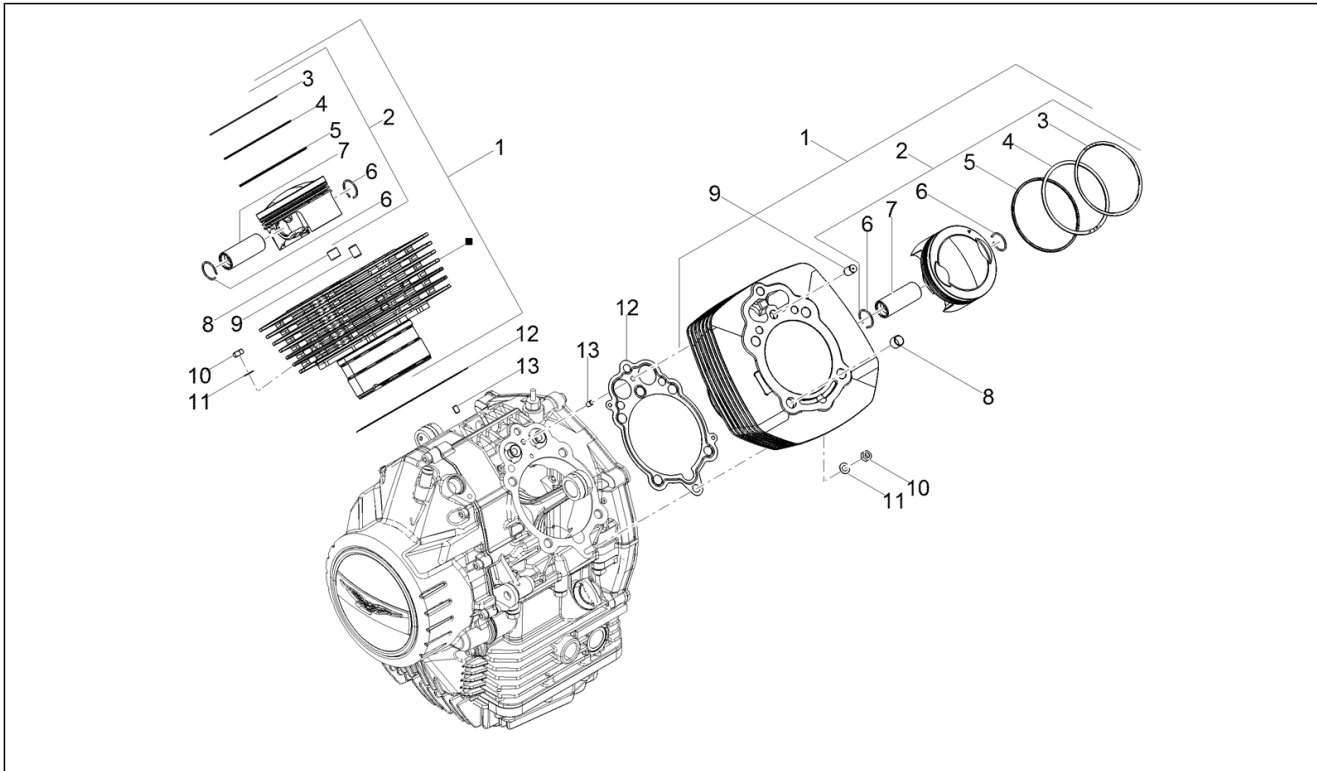
Pos.	Code	Description	Qty	Variants
1	1A014977	TEF M8x25 screw	1	
2	840569	Washer	1	
3	1A013570	Phonic wheel	1	
4	878872	Screw w/ flange	3	
5	1A014673	Retaining plate	1	
6	1A006243	Timing system gear	1	
7	GU19058021	Camshaft chain	1	
8	1A005955	Plate	1	
9	GU19058220	Chain stretching drive	1	
10	GU98882316	screw	1	
11	GU95129115	Washer	1	
12	1A013734	Camshaft	1	
13	B014598	Torx Screw M5x12	2	
14	1A009346	Camshaft retaining plate	1	
15	1A010124	Roller tappet	4	
16	B013552	Roller	4	
17	1A013652	Rocker arm rod	4	
18	1A006861	Gasket ring	2	
19	2A000579	O-Ring seal ring 2,62x9.19	4	
20	1A011963	Rocker shaft	4	
21	1A015559	Fork	4	
22	AP8152272	Screw w/ flange M5x12	6	
23	825694	Nut M10x1,25	8	
24	1A013883	Rocker arm support	2	
25	1A006659	Flanged nut M8x1.25	2	
26	2A000527	Plate	2	
27	1A004907	Adjuster screw	4	
28	GU10034100	Nut	4	

Group	Engine
Code	03.120
Description	Timing system
Service	1



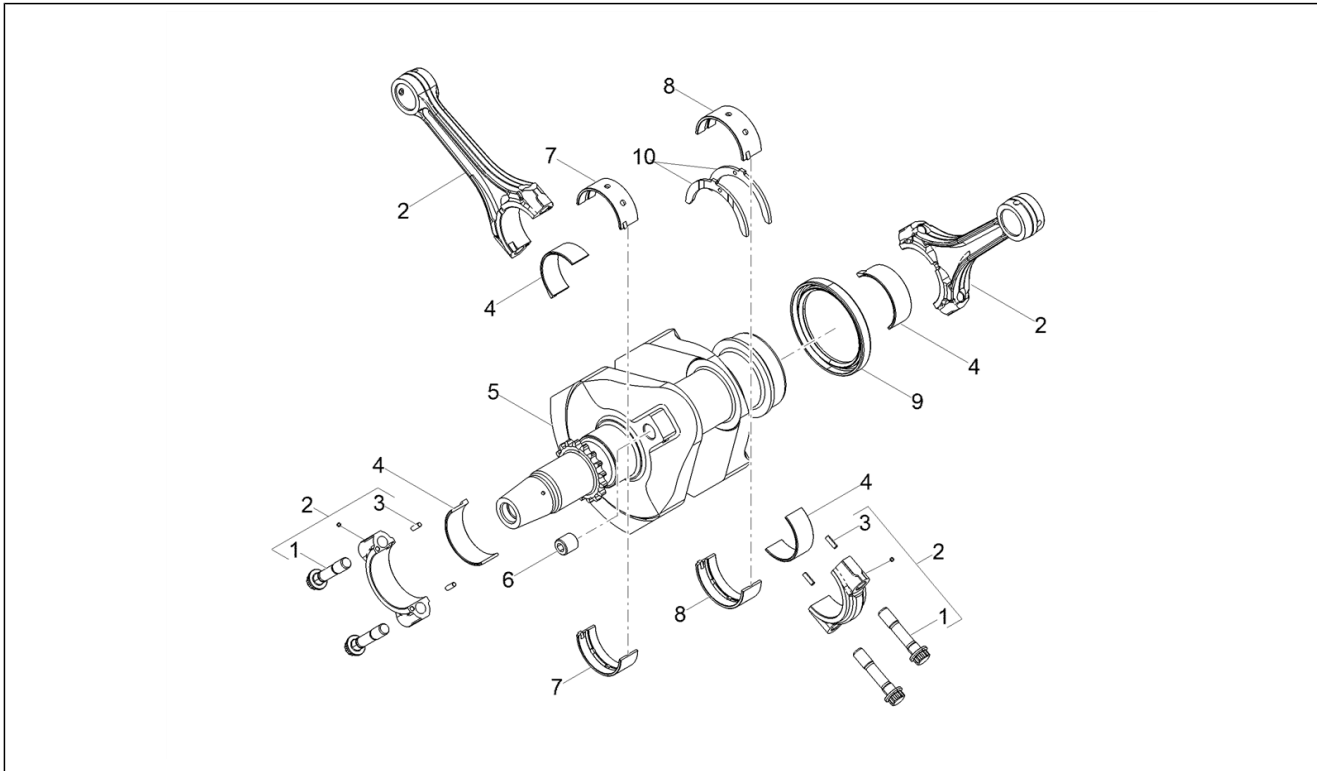
Pos.	Code	Description	Qty	Variants
29	1A004905	Left exhaust right intake rocker	1	
30	1A011723	Valve terminal	2	
31	1A005951	Curved spring washer	4	
32	1A004903	Right exhaust left intake rocker	2	

Group	Engine
Code	03.150
Description	Cylinder - Piston
Service	1



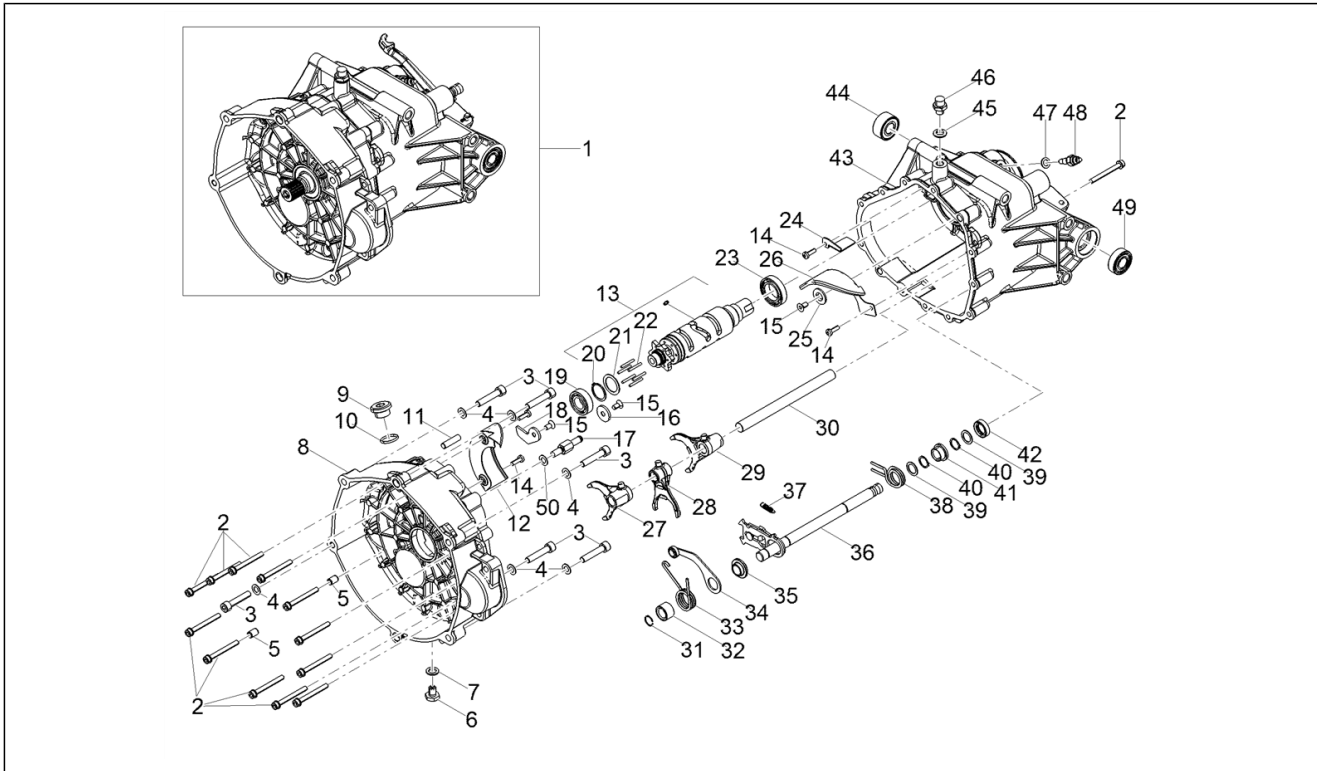
Pos.	Code	Description	Qty	Variants
1	1A0153455	Cylinder with piston	2	
2	1A0152720M	Complete piston, cat. M	2	
2	1A0152720G	Complete piston, cat. G	1	
2	1A0152720H	Complete piston, cat. H	1	
2	1A0152720L	Complete piston, cat. L	1	
3	1A013936	Compression ring	2	
4	1A004954	Compression ring	2	
5	1A004955	Oil scraper ring	2	
6	1A011548	Crank pin retainer ring	4	
7	1A008933	Piston pin	2	
8	825597	Pin 11,8X10	2	
9	GU19021360	Bushing	2	
10	GU92606206	Nut	2	
11	GU03013800	Washer 6,4x12	2	
12	1A010855	Crankcase/cylinder gasket	2	
13	484993	Locating dowel	2	

Group	Engine
Code	03.160
Description	Drive shaft
Service	1



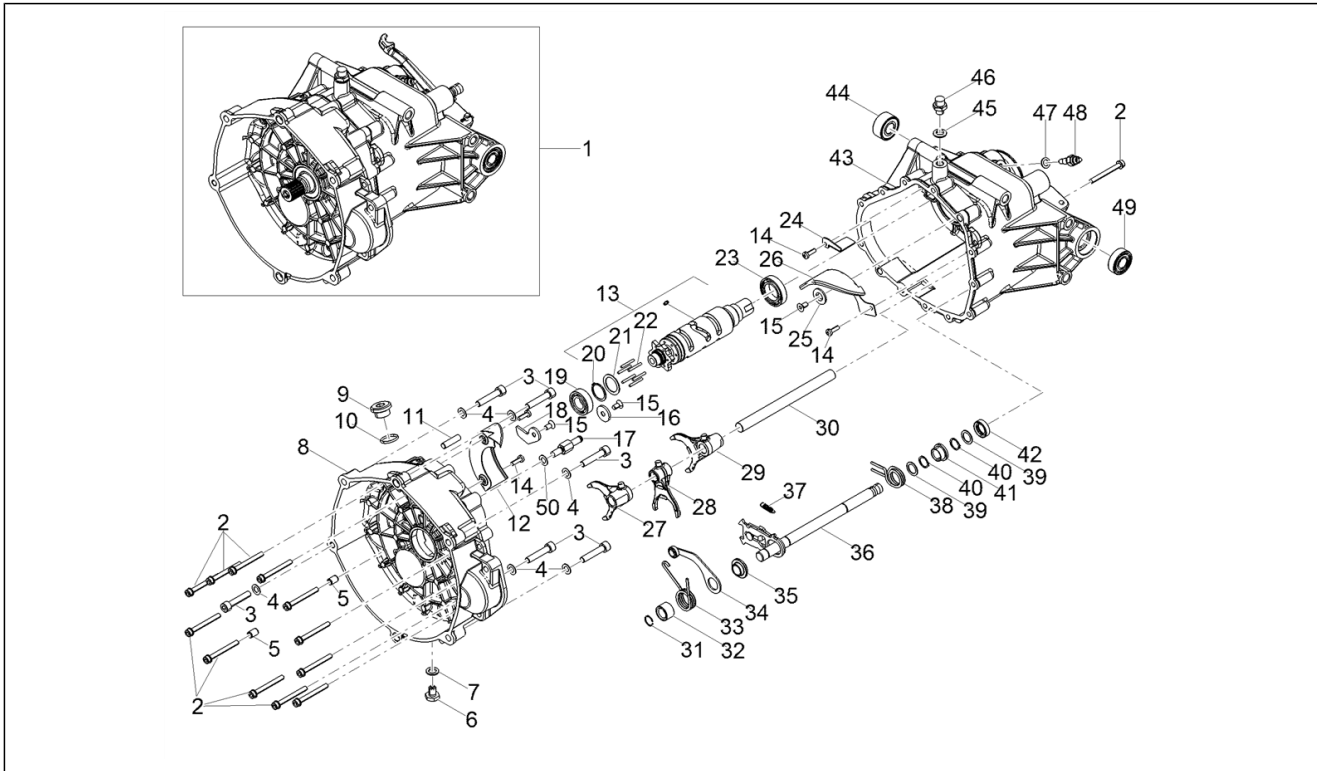
Pos.	Code	Description	Qty	Variants
1	1A008014	Connecting rod screw	4	
2	1A007917E4		1	
2	1A007917E1		1	
2	1A007917E2		1	
2	1A007917E3		1	
2	1A007917E5		1	
3	847906	Roller	4	
4	1A0068960R	Connecting rod half-bearing, red	4	
4	1A0068960G	Connecting rod half-bearing, yellow	4	
4	1A0068960B	Connecting rod half-bearing, blue	4	
5	1A009399E1		1	
5	1A009399E2		1	
5	1A009399E3		1	
5	1A009399E4		1	
5	1A009399E5		1	
6	GU19065400	Cover	1	
7	1A0066680N	Front main half-bearing, black	1	
7	1A0066680G	Front main half-bearing, yellow	1	
7	1A0066680V	Front main half-bearing, green	1	
8	1A0066690V	Rear main half-bearing, green	2	
8	1A0066690N	Rear main half-bearing, black	2	
8	1A0066690G	Rear main half-bearing, yellow	2	
9	1A010753	Gasket ring 56x72x8	1	
10	GU27066460	Half-clamp	2	

Group	Engine
Code	03.170
Description	Gear box / Selector / Shift cam
Service	1



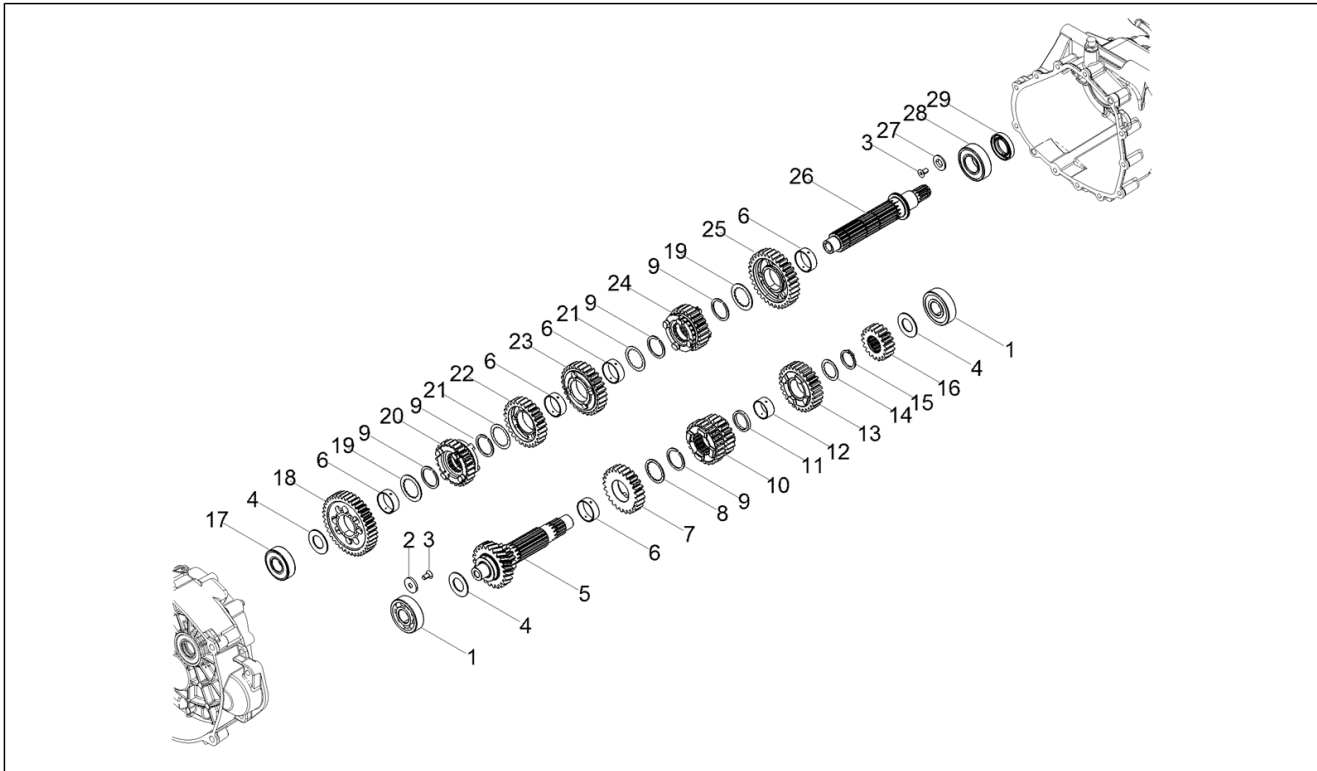
Pos.	Code	Description	Qty	Variants
1	2A0010035	Transmission, assy	1	
2	2A000591	Special hex socket screw M6x55	13	
3	GU98680440	Hex socket screw M8x40	6	
4	658837	Crinkle washer D15 F8,4 S1,5 - INOX	6	
5	GU19002020	Bushing 6,6x9x13	2	
6	GU31003766	Oil unload plug M10x1	1	
7	GU10528900	Gasket	1	
8	2A0009545	Clutch drum	1	
9	GU12022600	Oil plug	1	
10	GU90706203	O-ring 20,24x2,62	1	
11	B064079	Threaded pin	1	
12	2A001022	Oil separator	1	
13	2A000991	Shift cam cpl.	1	
14	2A000241	Screw M5x16	4	
15	B013608	Screw	4	
16	873928	Washer	1	
17	2A001042	Set screw	1	
18	2A001006	Plate	1	
19	834764	Bearing	1	
20	GU90271022	Circlip	1	
21	GU05235531	Spacer	1	
22	2A000938	Pin	6	
23	857250	Ball bearing 25x42x9	1	
24	2A001018	Plate	1	
25	2A001013	Countersunk washer	1	
26	2A001025	Oil separator	1	
27	2A000225	Fork for secondary shaft	1	
28	2A000832	5-6 gear fork	1	

Group	Engine
Code	03.170
Description	Gear box / Selector / Shift cam
Service	1



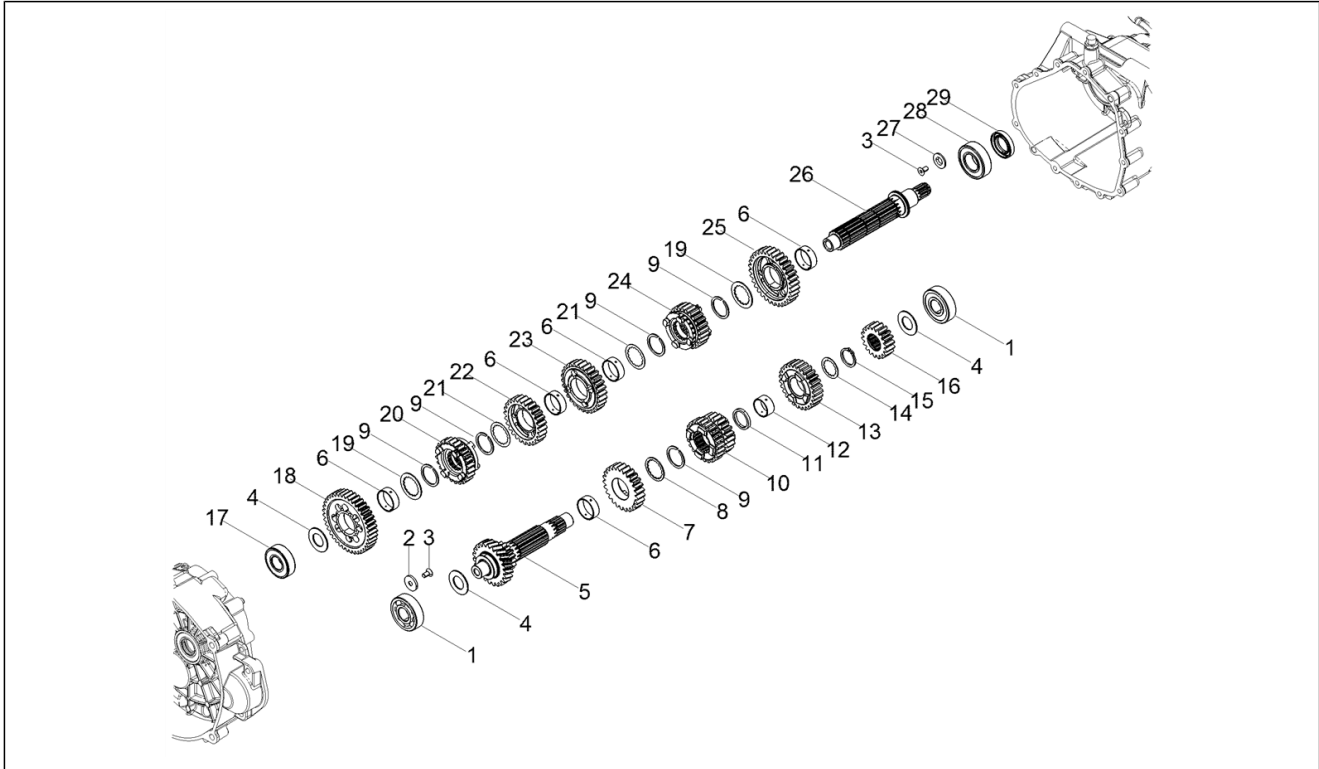
Pos.	Code	Description	Qty	Variants
29	2A000226	Fork 2-3 speed	1	
30	2A000224	Rod	1	
31	GU90353014	Circlip	1	
32	GU05234230	Spacer	1	
33	B064113	Index spring	1	
34	B064112	Index assy. lever	1	
35	GU05238431	Bushing	1	
36	2A000926	Preselection complete	1	
37	GU05238231	Spring	1	
38	B063956	Spring	1	
39	GU05239330	Fifth wheel	1	
40	GU90271014	Circlip	1	
41	2A000467	Spacer	1	
42	GU90401424	Gasket ring 14x24x7	1	
43	2A0009615	Gear box	1	
44	2A000981	Ball bearing 3202-2RSH/C3	1	
45	GU01528930	Gasket 10x18x1,5	1	
46	2A000823	Breather plug	1	
47	B063025	Gasket 8.7x14.2x1.3	1	
48	1A011654	Sensor	1	
49	2A000097	Ball bearing 6202-2RSH/C3 LHT23	1	
50	2A001050	Flat washer	1	

Group	Engine
Code	03.180
Description	Gear box - Gear assembly
Service	1



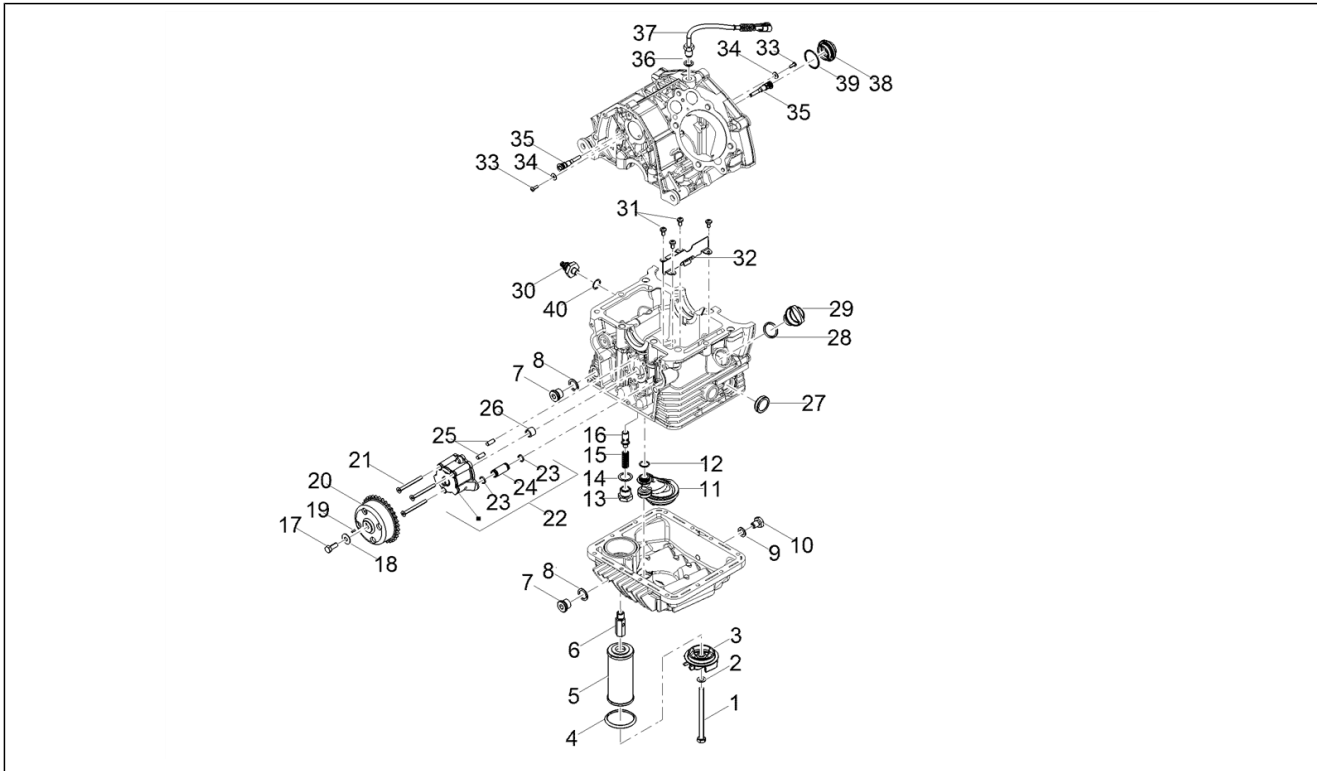
Pos.	Code	Description	Qty	Variants
1	GU92201822	Ball bearing 20x52x15	2	
2	873928	Washer	1	
3	B013608	Screw	2	
4	1A000566	Thrust washer	3	
5	2A001002	Primary gear shaft	1	
6	849308	Moveable bush	5	
7	1A000360	Fifth speed gear	1	
8	849424	Clearance washer	1	
9	1A002604	Shaft snap ring	5	
10	1A000436	Sliding pinion 3a - 4a vel.	1	
11	B015040	Thrust washer	1	
12	974162	Moveable bush	1	
13	1A000361	6th pinion gear	1	
14	849396	Clearance washer	1	
15	974165	Snap ring	1	
16	1A000365	2nd pinion gear	1	
17	2A001011	Bearing 20x47x14	1	
18	2A000988	First speed gear	1	
19	849309	Clearance washer	2	
20	2A000989	Fifth speed gear	1	
21	849310	Clearance washer	2	
22	1A000368	Fourth speed gear Z=26	1	
23	1A000367	Third speed gear Z=28	1	
24	1A000370	Gear 6a Z=24	1	
25	1A000366	Second speed gear Z=32	1	
26	2A000998	Secondary gearbox shaft	1	
27	2A001013	Countersunk washer	1	
28	GU92201226	Ball bearing 25x52x15	1	

Group	Engine
Code	03.180
Description	Gear box - Gear assembly
Service	1



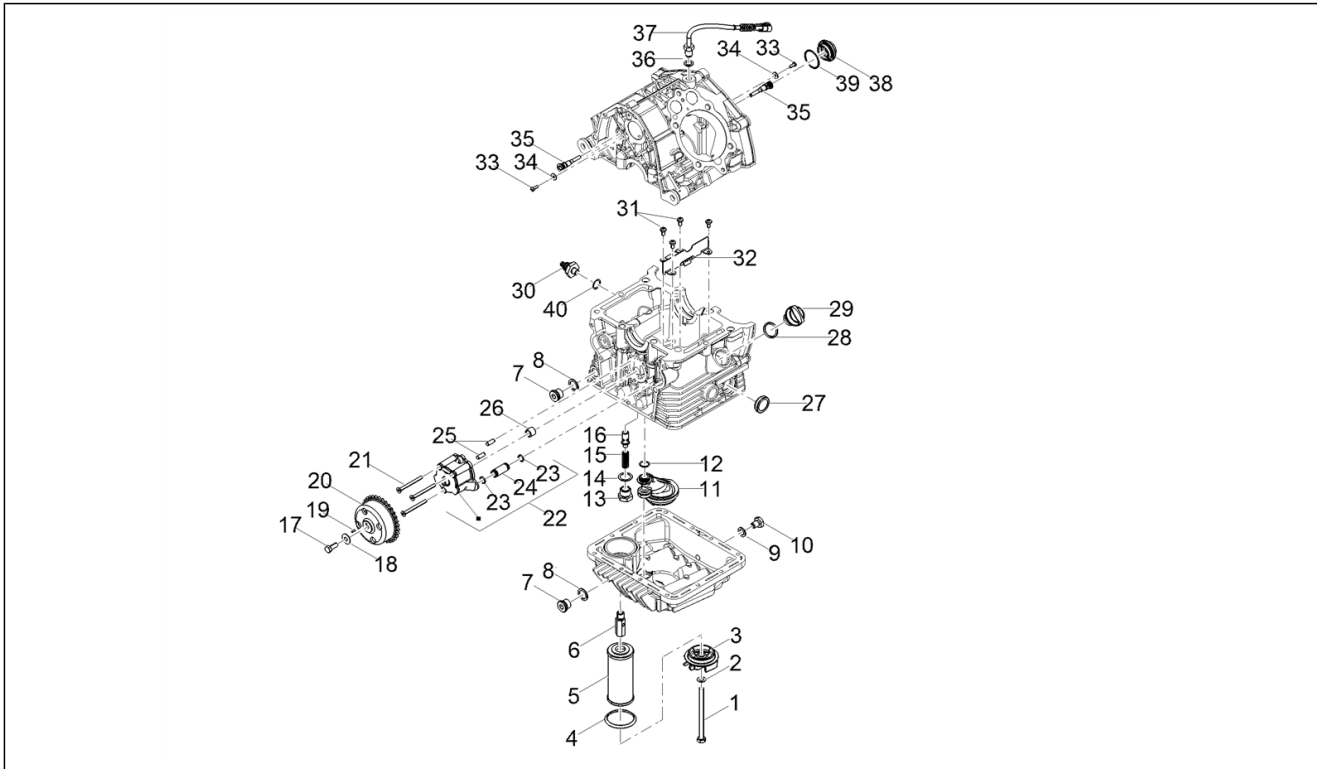
Pos.	Code	Description	Qty	Variants
29	GU90412541	Gasket ring 25X40X7	1	

Group	Engine
Code	03.190
Description	Lubrication
Service	1



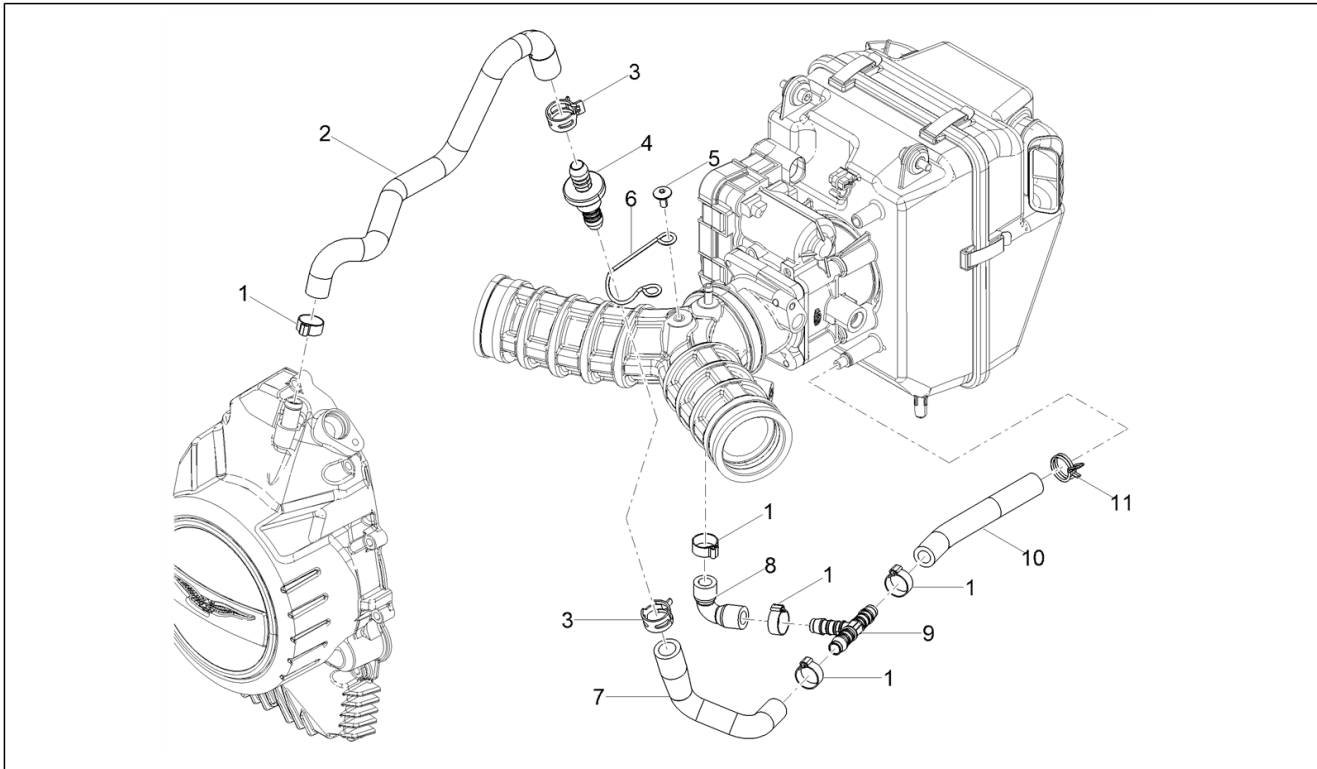
Pos.	Code	Description	Qty	Variants
1	GU27152885	Bolt	1	
2	GU12154200	Gasket 8,25x15x1	1	
3	1A013815	Oil filter cover	1	
4	GU90706444	O-ring	1	
5	2A000633	Oil filter	1	
6	GU19003800	Joint	1	
7	1A015068	Cover	2	
8	287174	Copper gasket	2	
9	GU10528900	Gasket	1	
10	GU31003766	Oil unload plug M10x1	1	
11	1A004549	Oil strainer	1	
12	237553	O-ring	1	
13	GU31159050	Cover	1	
14	GU18144350	Washer 18,25x24x1	1	
15	GU94321079	Spring	1	
16	1A014844	Oil pressure adjusting valve	1	
17	1A014410		1	
18	1A014411	Belleville spring	1	
19	GU92296723	Roller	1	
20	1A015490	Oil pump gear	1	
21	1A008533	Countersunk-head screw M5x55	3	
22	1A015236	Oil pump assembly	1	
23	1A008325	Seal ring (o-ring)	2	
24	1A008291	Hose union	1	
25	GU19018920	Pin	2	
26	976168	Roller cage 10x14x12	1	
27	485693	Oil level indicator	1	
28	1A014908	Seal ring (o-ring)	1	

Group	Engine
Code	03.190
Description	Lubrication
Service	1



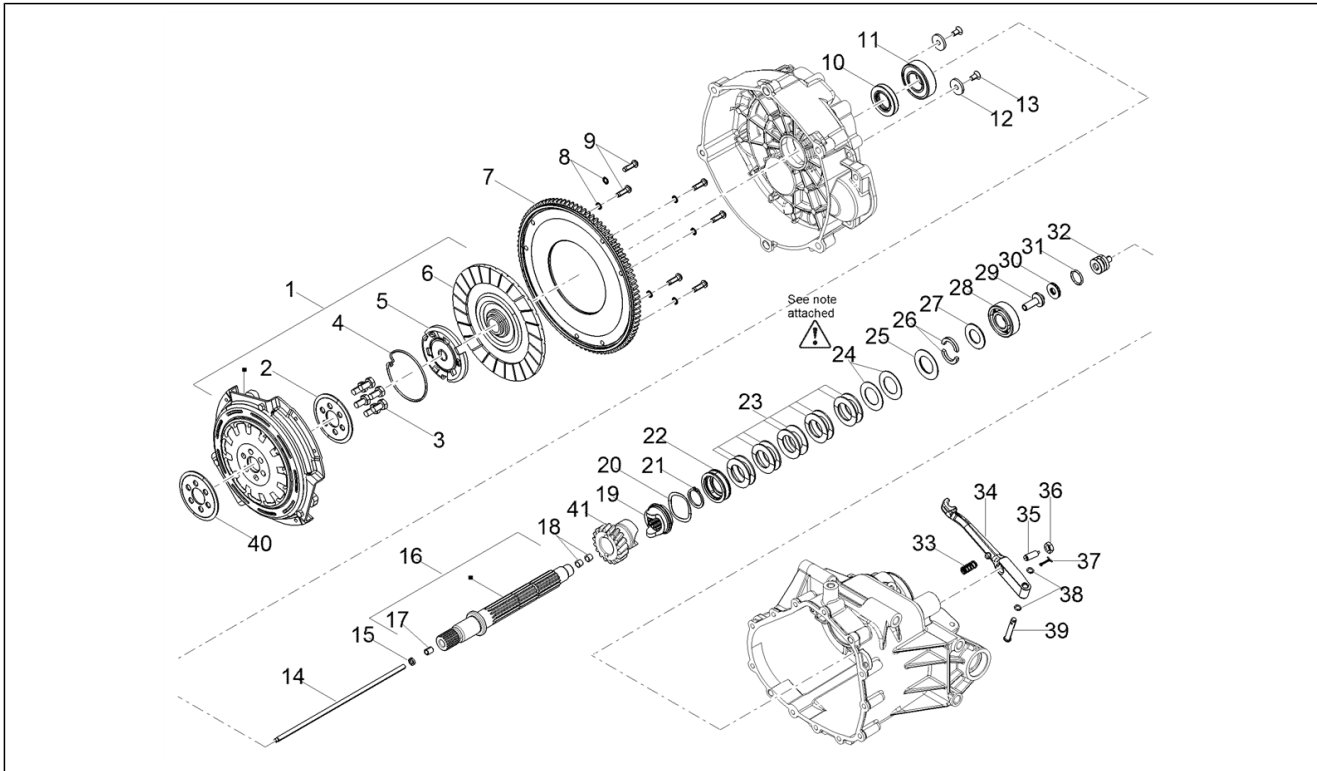
Pos.	Code	Description	Qty	Variants
29	1A011612	Oil load plug	1	
30	1A014570	Minimum oil pressure sensor	1	
31	1A003111	TCIC Screw M5x10	4	
32	1A008566	Panel	1	
33	1A005257	Oval head screw torx	2	
34	013763	Flat washer 4,2x12x1	2	
35	1A004442	Piston cooling jet	2	
36	969973	Washer	1	
37	887421	Heat temperature sensor	1	
38	B015598	Oil filter plug	1	
39	285536	O-ring 31,47x1,78	1	
40	GU95100309	Washer	1	

Group	Engine
Code	03.196
Description	Blow-by system
Service	1



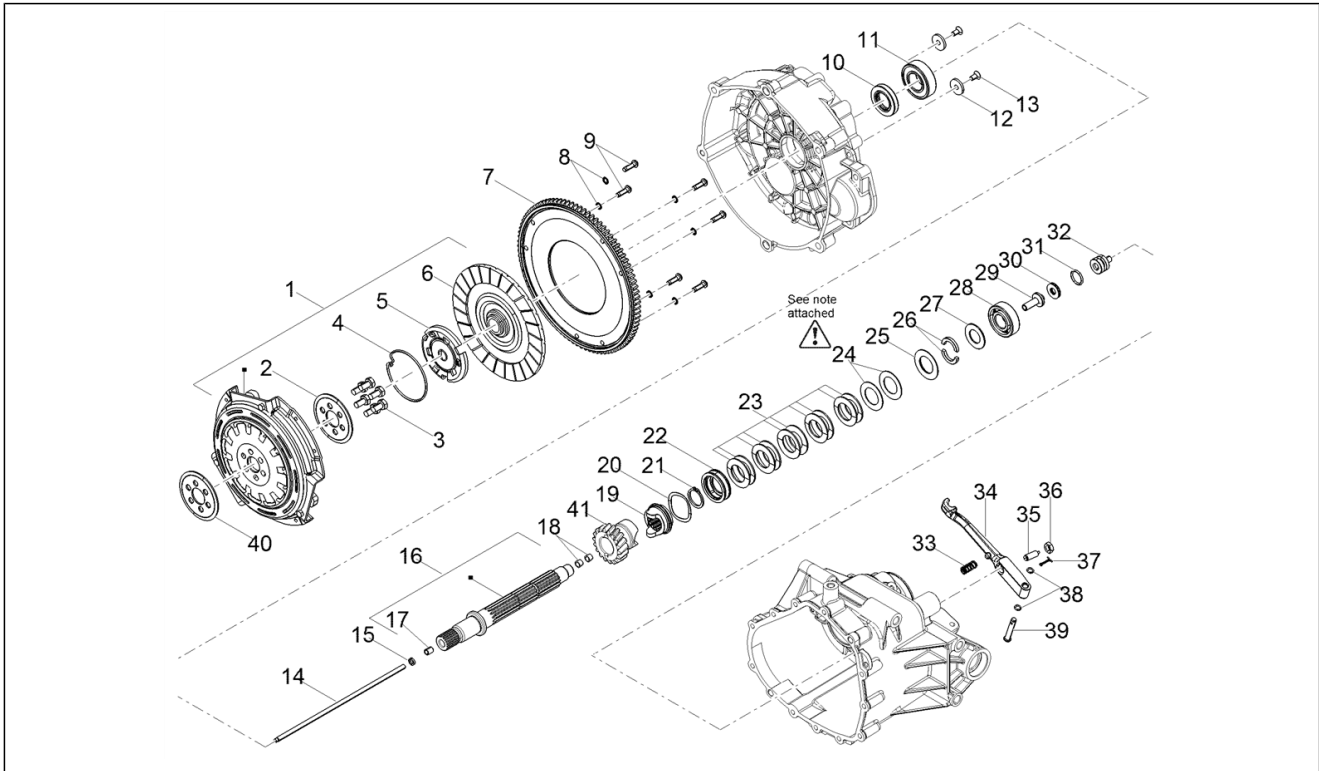
Pos.	Code	Description	Qty	Variants
1	AP8102349	White hose clip D17,5x8	5	
2	2B005445	Blow-by pipe	1	
3	CM226902	Spring clamp 19/12	2	
4	2B003105	Anti-return valve	1	
5	AP8150500	Hex socket screw M5x9	1	
6	AP8114502	Fastener cable	1	
7	2B006204	Blow-by pipe	1	
8	2B006203	Blow-by pipe	1	
9	2B0061249	Tee union	1	
10	2B006205	Blow-by pipe	1	
11	CM002912	Hose clamp	1	

Group	Engine
Code	03.230
Description	Clutch
Service	1



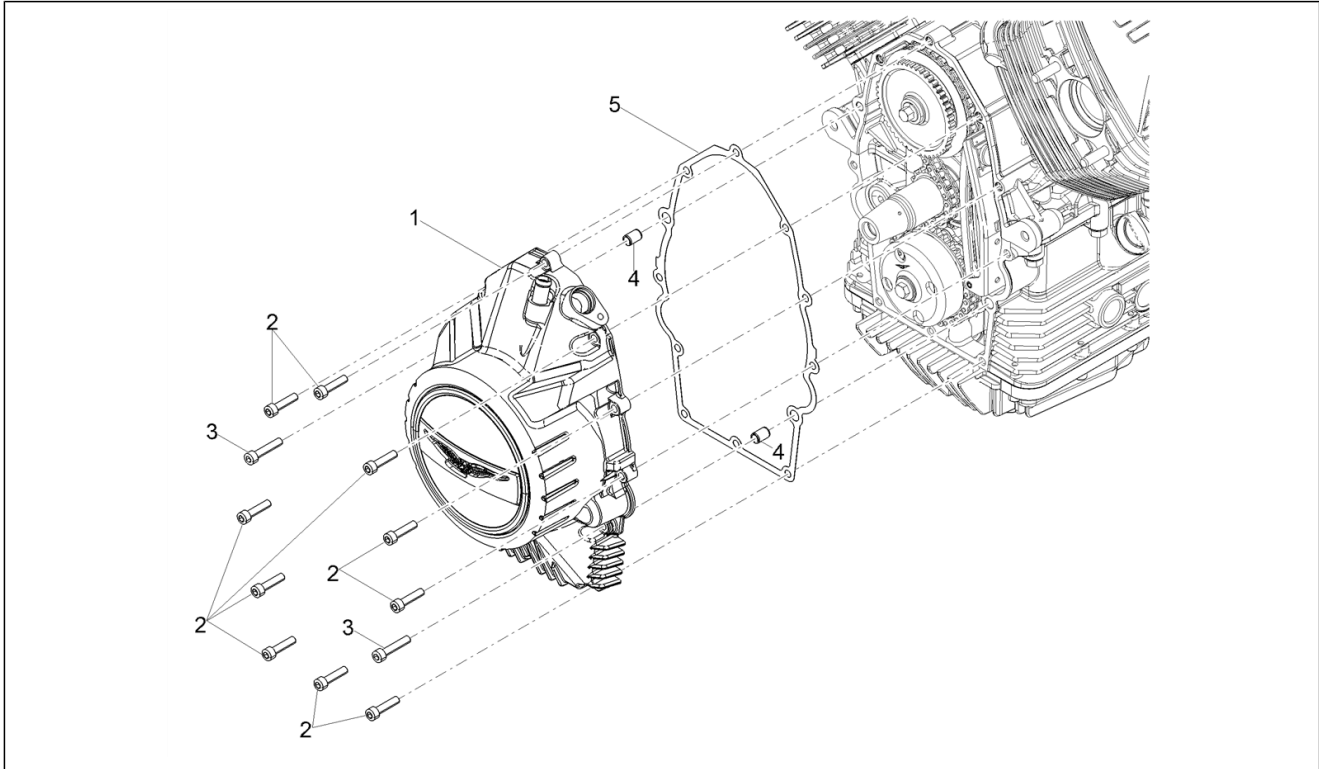
Pos.	Code	Description	Qty	Variants
1	2A000968	Single-plate clutch	1	
2	2A000741	Support	1	
3	GU19067700	screw	6	
4	2A000418	Ring	1	
5	2A000638	Spring cap	1	
6	2A000969	Driven clutch disc	1	
7	2A000529	Starter ring gear	1	
8	GU14217901	Washer 6,4x10x0,7	6	
9	2A000774	Oval head torx screw M6X20	6	
10	2A001004	Gasket ring	1	
11	GU92201226	Ball bearing 25x52x15	1	
12	873928	Washer	3	
13	B013608	Screw	3	
14	2A000216	Drive rod	1	
15	2A000378	Gasket ring	1	
16	2A001008	Clutch shaft	1	
17	GU05217630	Bushing	1	
18	GU14085900	Bush	2	
19	2A000812	Hose	1	
20	2A000818	WAVE WASHER	1	
21	974165	Snap ring	1	
22	2A000813	Pressure plate	1	
23	2A000816	Belleville spring	10	
24	2A001054	Washer	2	
25	2A000817	SPRING RETAINER	1	
26	B063977	Half ring	2	
27	1A000566	Thrust washer	1	
28	2A001035R	Ball bearing 20x47x14	1	

Group	Engine
Code	03.230
Description	Clutch
Service	1



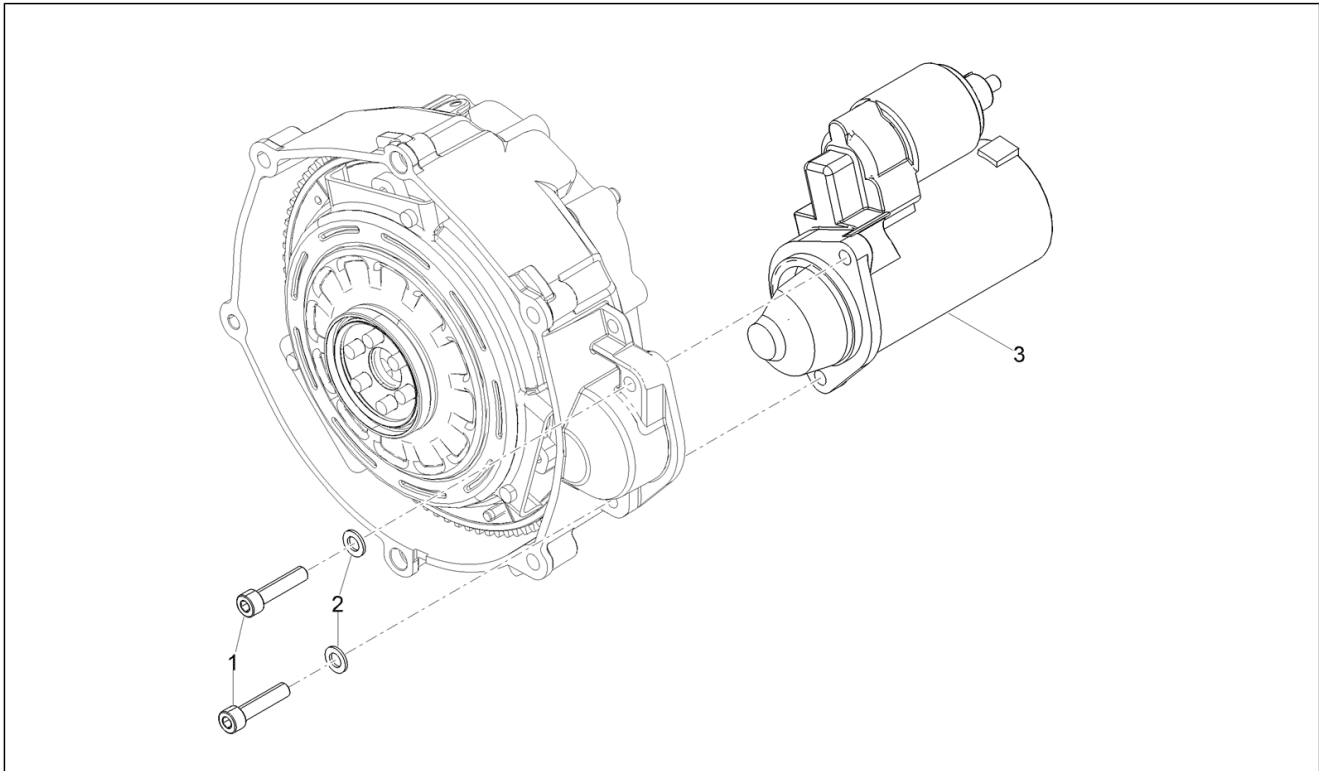
Pos.	Code	Description	Qty	Variants
29	B013037	Clutch gear	1	
30	2A000376	Thrust bearing	1	
31	GU90706170	O-ring 17,13x2,62	1	
32	GU14086100	Outer body	1	
33	GU94321105	Lever return spring	1	
34	2A000631	Clutch release shaft	1	
35	2A000838	Adjuster screw	1	
36	GU92606508	Nut	1	
37	GU95500222	Split pin	1	
38	2A000385	O-ring 6.5x1.5	2	
39	2A000384	Lever pin	1	
40	1A009630	Clutch plate	1	
41	2A000901	ENGINE GEAR	1	

Group	Engine
Code	03.270
Description	Flywheel cover
Service	1



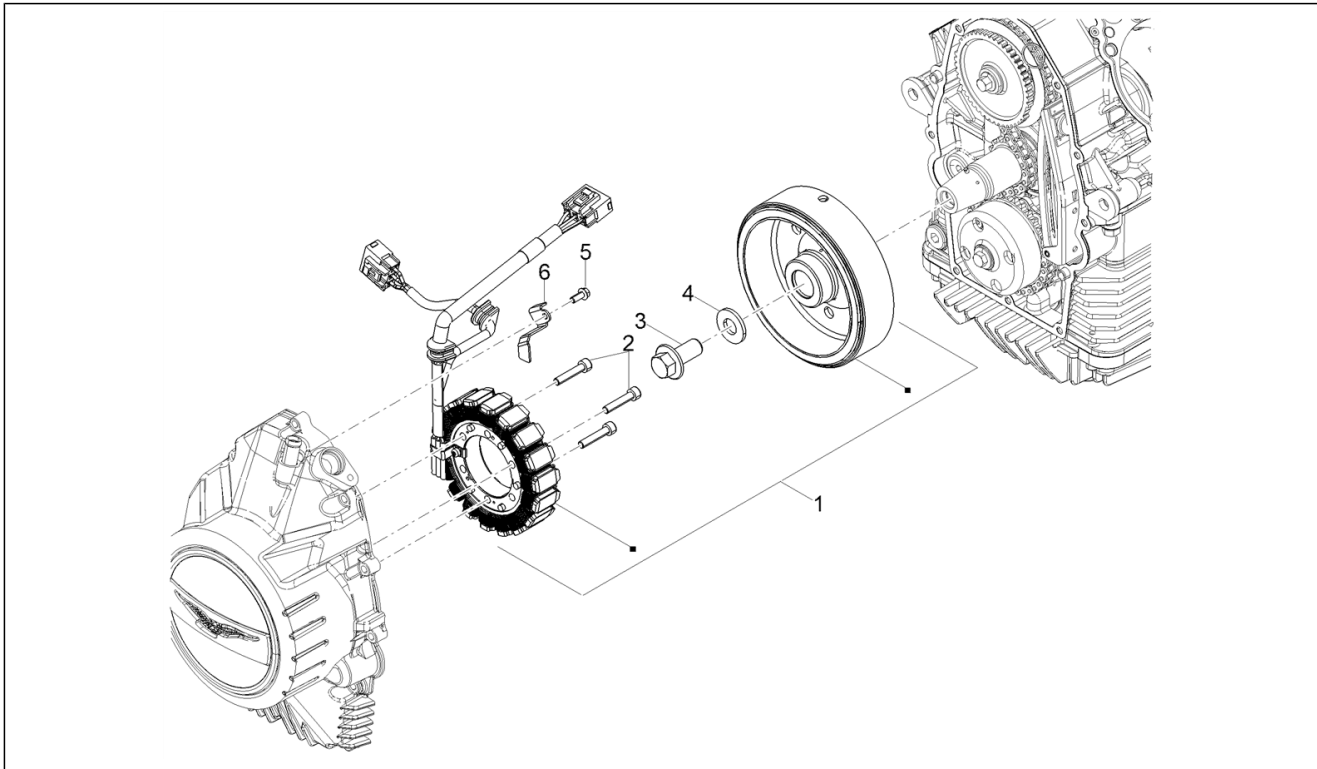
Pos.	Code	Description	Qty	Variants
1	1A015047	Cover	1	
2	GU98682325	Hex socket screw M6x25	10	
3	GU98682330	Hex socket screw M6x20	2	
4	GU19002020	Bushing 6,6x9x13	2	
5	887003	Cover gasket	1	

Group	Engine
Code	03.290
Description	Starter / Electric starter
Service	1



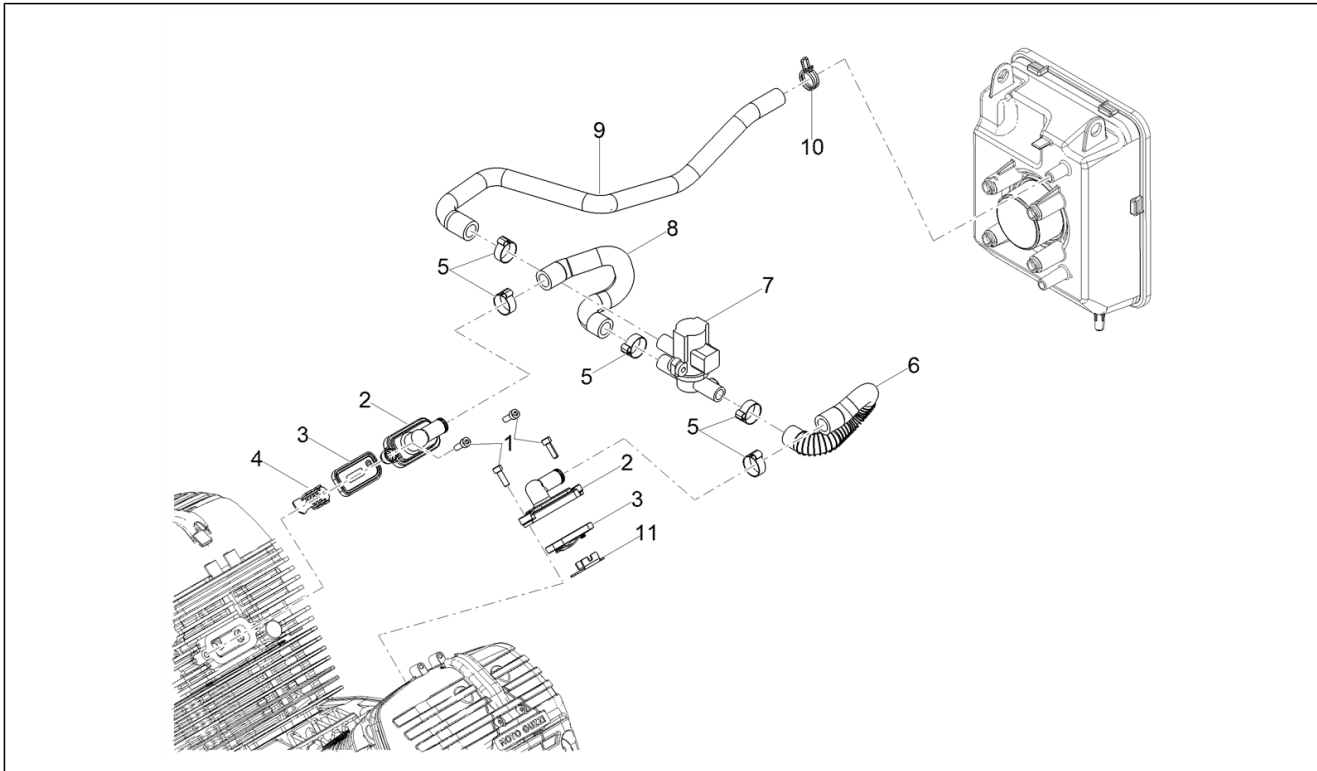
Pos.	Code	Description	Qty	Variants
1	GU98682435	Hex socket screw	2	
2	GU95008208	Washer 8,4X15X1,5	2	
3	97729R	Starter motor	1	

Group	Engine
Code	03.300
Description	Cdi magneto assy / Ignition unit
Service	1



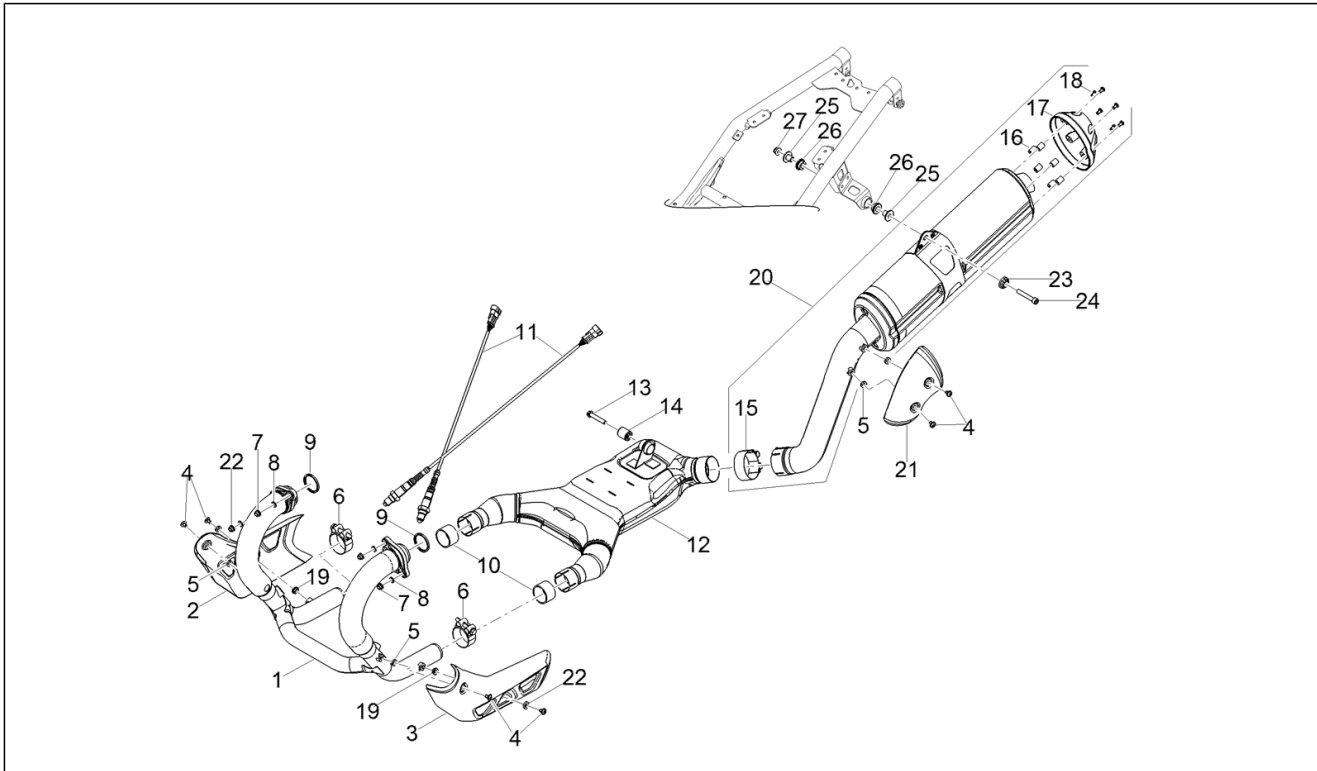
Pos.	Code	Description	Qty	Variants
1	1A011983	Complete magneto flywheel	1	
2	GU98682330	Hex socket screw M6x20	3	
3	B015563	Screw w/ flange M14x30	1	
4	825725	Flat washer 14.1x30x3	1	
5	AP8152272	Screw w/ flange M5x12	1	
6	1A009462	Plate	1	

Group	Engine
Code	03.320
Description	Secondary air
Service	1



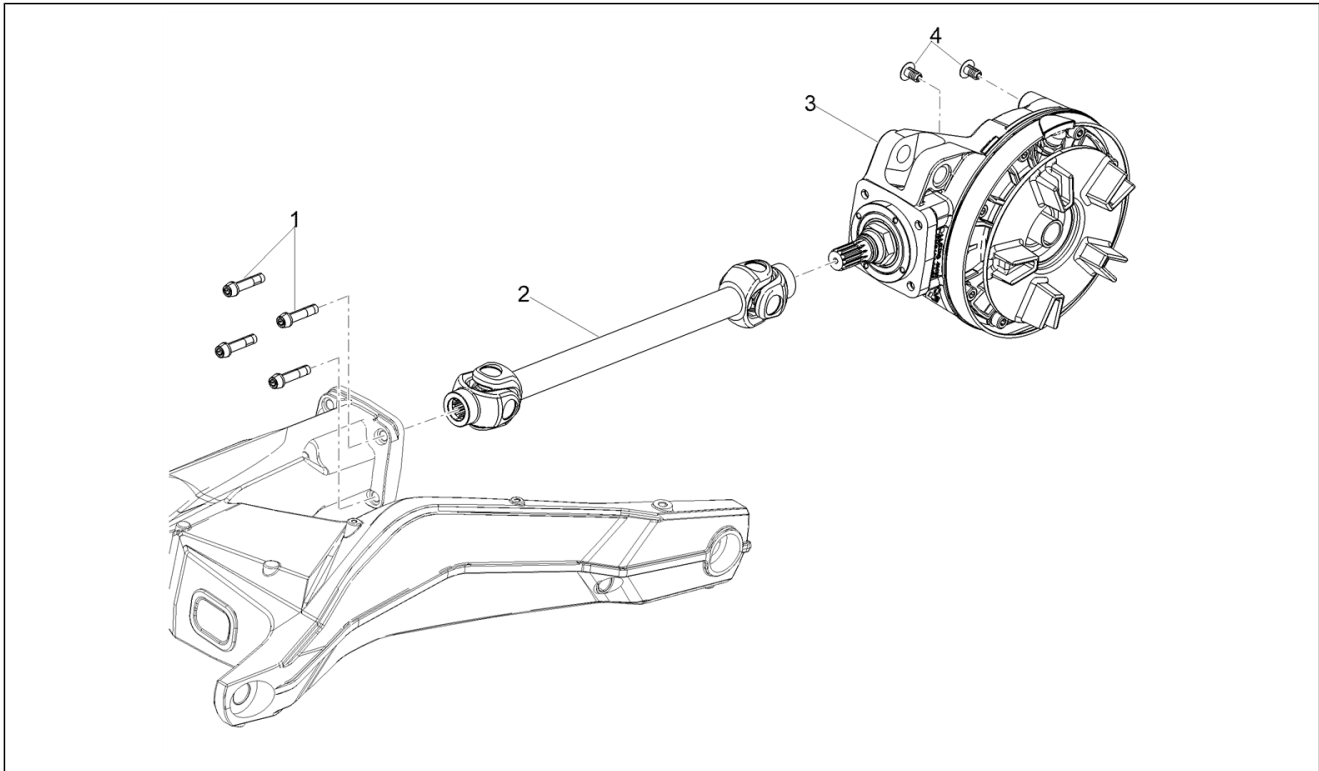
Pos.	Code	Description	Qty	Variants
1	GU98612216	Hex socket screw	4	
2	2A000597	Cover	2	
3	857045	Reed valve	2	
4	857047	Spark arrester	1	
5	AP8102786	Hose clip 20x8	5	
6	2B005159	LH pipe SAS	1	
7	857181	SAS valve	1	
8	2B005158	RH pipe SAS	1	
9	2B005157	Filter box pipe	1	
10	CM002912	Hose clamp	1	
11	857046	Spark arrester	1	

Group	Engine
Code	03.330
Description	Exhaust pipe
Service	1



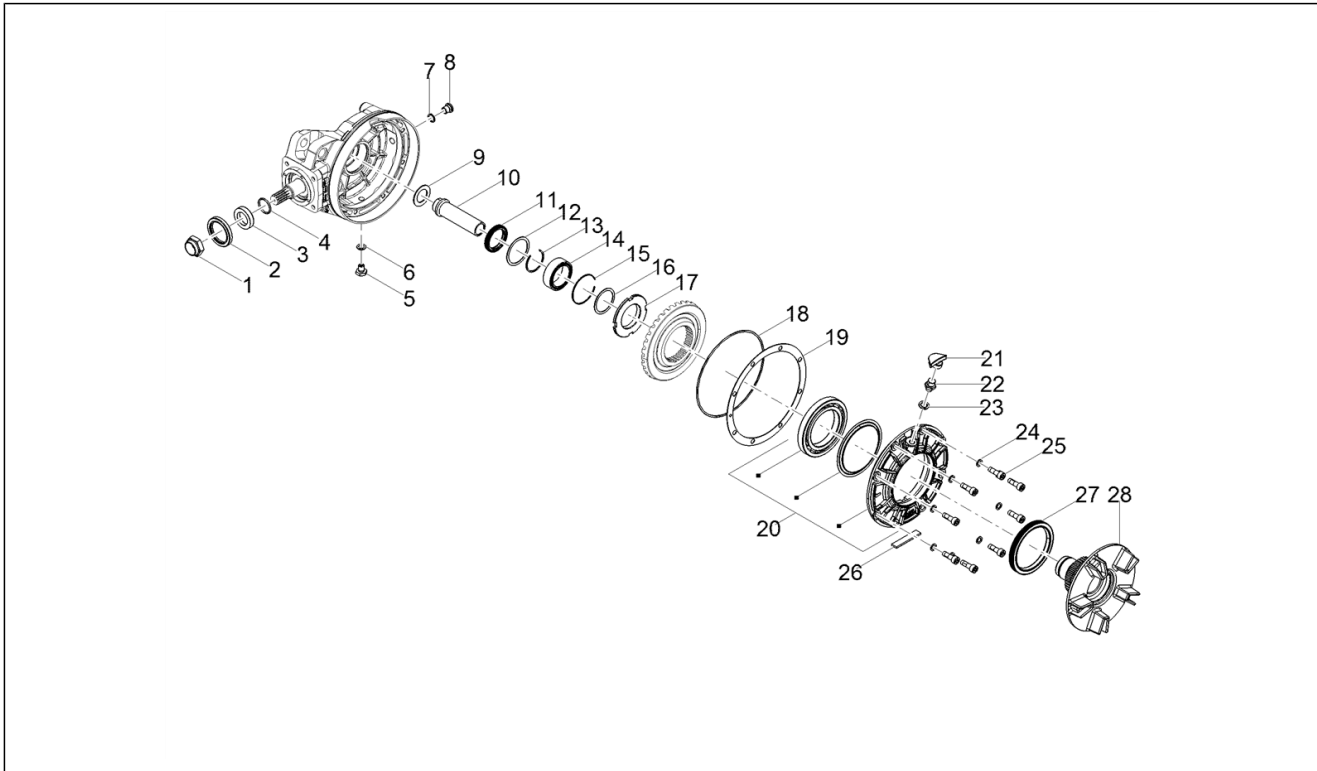
Pos.	Code	Description	Qty	Variants
1	2B004579	Exhaust manifold	1	
2	2B005654	Front heat shield dx	1	
3	2B005655	Front left heat shield	1	
4	2B000215	Screw w/ flange M6x10	6	
5	876879	Spacer	4	
6	2B006319	Hose clamp	2	
7	GU92660021	Flanged nut M8	4	
8	GU14615901	Washer 8,4X13X0,8	4	
9	852090	Exhaust pipe gasket	2	
10	GU91113826	Bushing	2	
11	584344	Lamda sensor (L. 325 mm)	2	
12	2B0053175	Central manifold	1	
13	AP8152291	Screw w/ flange	1	
14	00H02201731	Silent-block	1	
15	2B005662	Hose clamp	1	
16	2B005171	Threaded bush	6	
17	2B005175	Bottom	1	
18	2B002143	TBEI pre-impregnated screw M6x10	6	
19	2B002962	Bush	2	
20	2B005163	Silencer	1	
21	2B005537	Silencer protection	1	
22	AP8150378	Washer 6,4x18x2	2	
23	AP8134378	Silencer fixing bush	1	
24	2B004771	Screw TCEI M8x50	1	
25	AP8121332	Bush	2	
26	AP8144558	Rubber spacer	2	
27	AP8152300	Self-locking nut M8	1	

Group	Engine
Code	03.340
Description	Transmission complete
Service	1



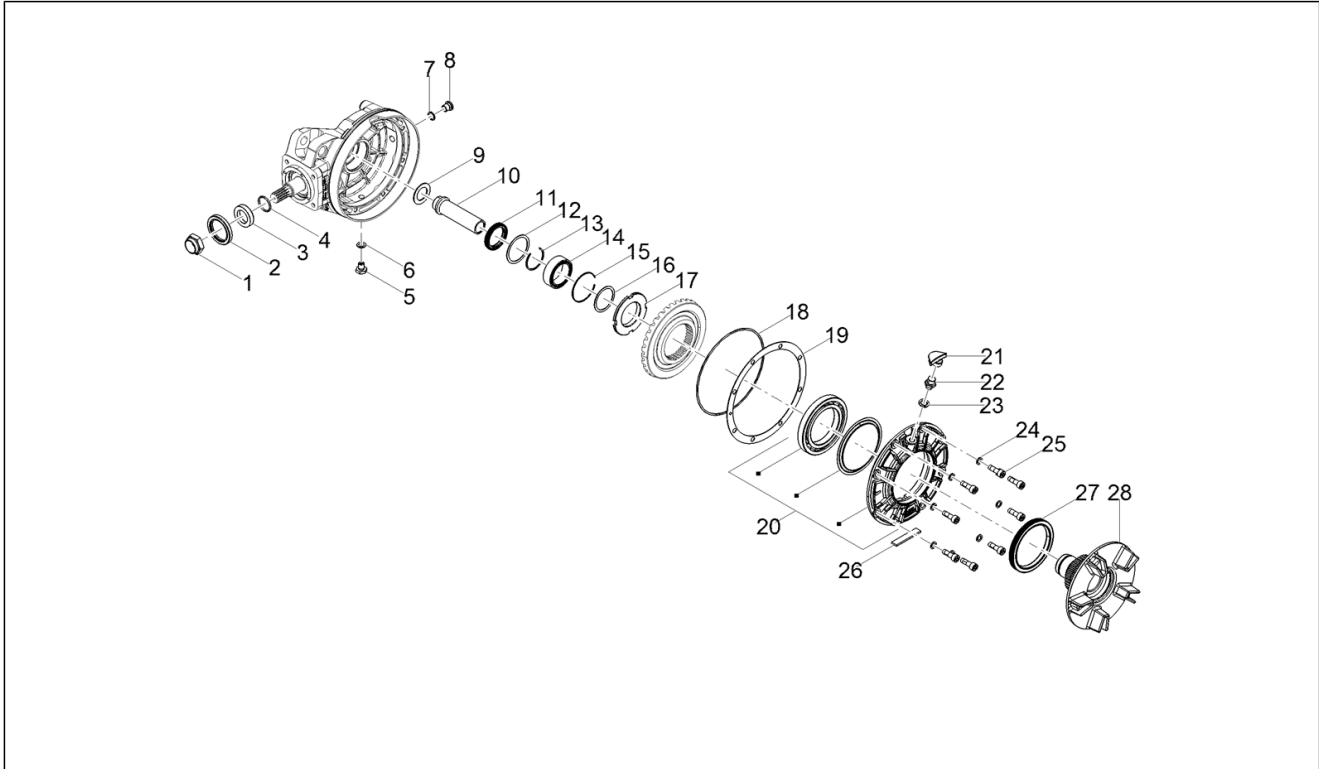
Pos.	Code	Description	Qty	Variants
1	2B002699	Torx M8x35 cap screw with pre-coated collar	4	
2	2B005367	Propeller shaft & universal joint	1	
3	2B0042715		1	
4	AP8102600	Cover	2	

Group	Engine
Code	03.350
Description	Rear transmission / Components
Service	1



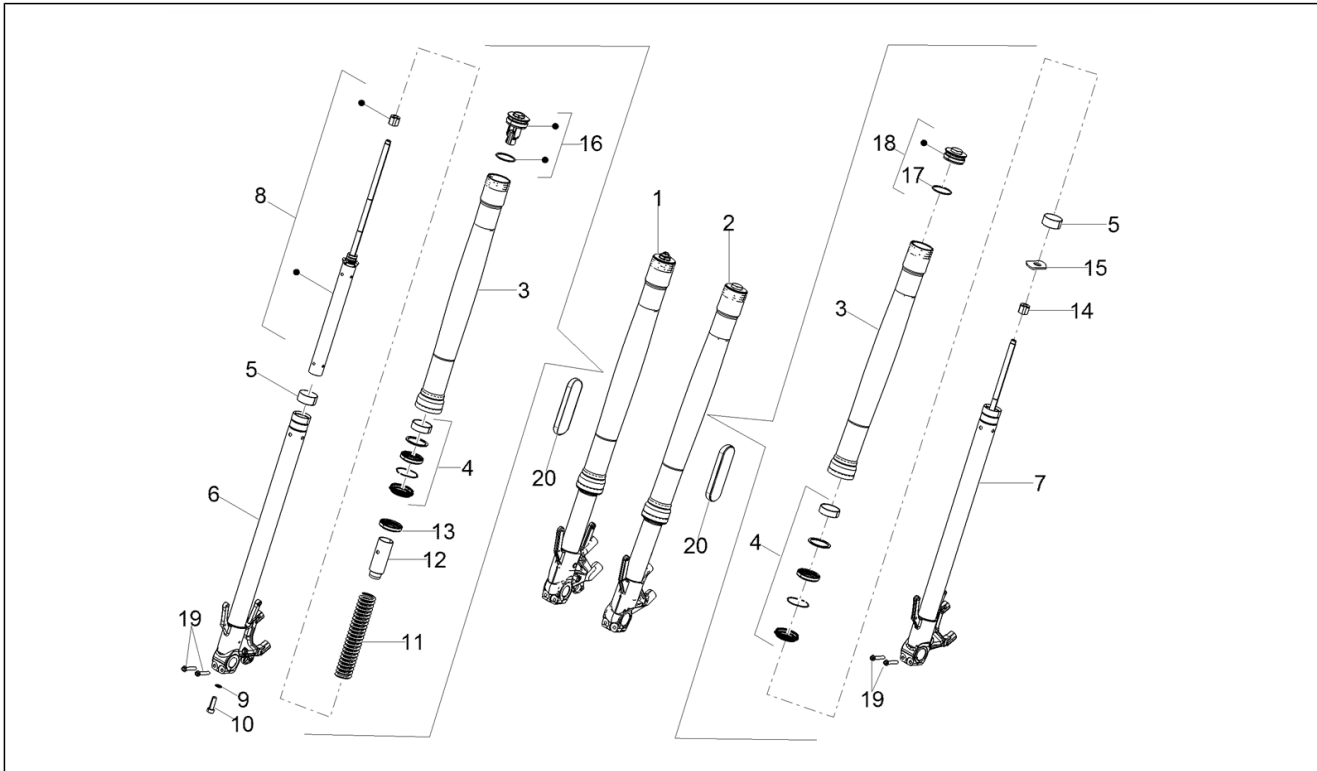
Pos.	Code	Description	Qty	Variants
1	2B005012	Nut	1	
2	2B000404	Gasket ring	1	
3	2B001311	Spacer	1	
4	GU90706188	Gasket ring 18,77X1,78	1	
5	GU31003766	Oil unload plug M10x1	1	
6	GU01528930	Gasket 10x18x1,5	1	
7	224566	Washer	1	
8	GU05351230	Oil plug M12x1,5	1	
9	GU37359005	Washer	1	
10	2B001307	Spacer	1	
11	GU90413850	Gasket ring 38X50X7	1	
12	GU12351100	Gasket ring	1	
13	2B002200	Washer for shafts	1	
14	2B006088R	Roller bearing 40x55x17	1	
15	B064304	Circlip	1	
16	GU19351100	Clearance washer	1	
17	2B002536	Crown fixing ring nut	1	
18	GU90706958	O-ring 158,42X2,62	1	
19	GU04355102	Spacer 0,8 mm	1	
19	GU04355100	Spacer 0,6 mm	1	
19	GU04355101	Spacer 0,7 mm	1	
19	GU04355104	Spacer 1 mm	1	
19	GU04355105	Spacer 1,1 mm	1	
19	GU04355106	Spacer 1,2 mm	1	
19	GU04355103	Spacer 0,9 mm	1	
20	2B006110	Flange	1	
21	2B002807	Cap	1	
22	2A000823	Breather plug	1	

Group	Engine
Code	03.350
Description	Rear transmission / Components
Service	1



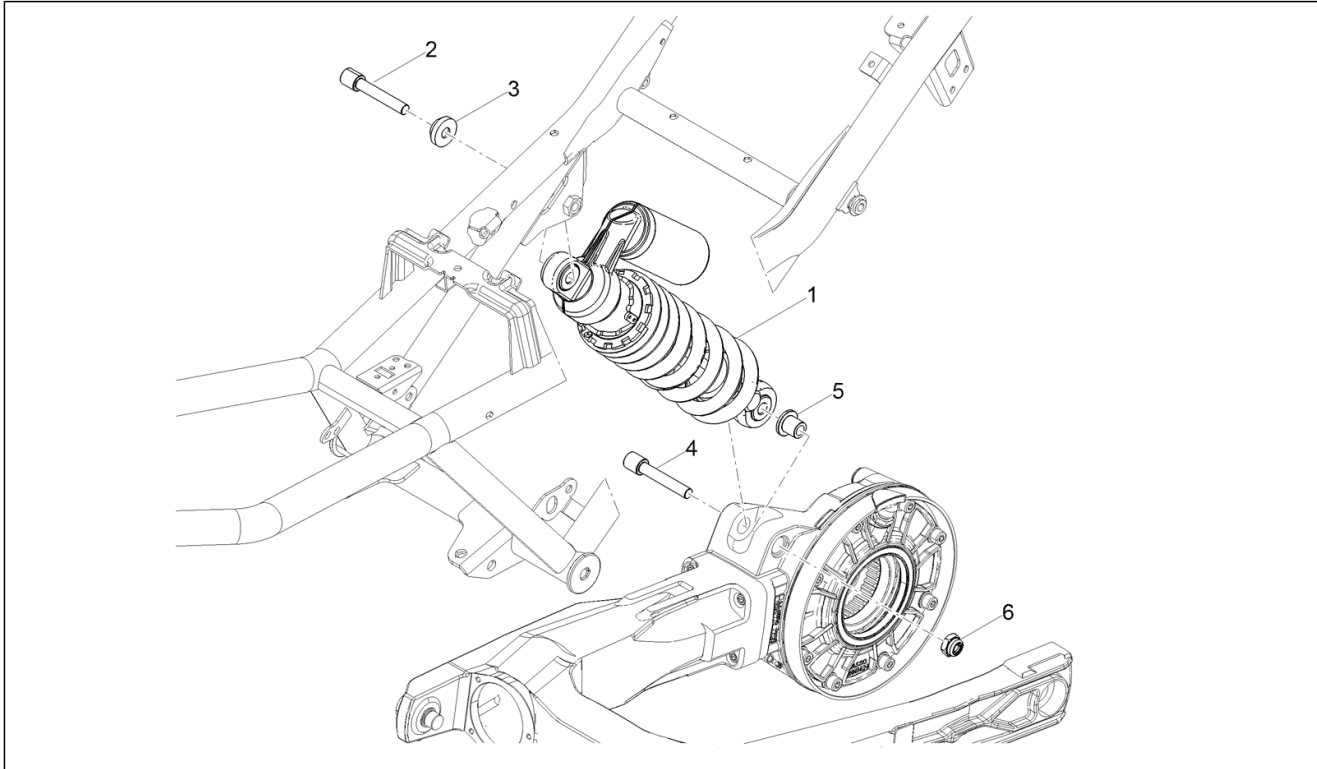
Pos.	Code	Description	Qty	Variants
23	GU01528930	Gasket 10x18x1,5	1	
24	GU14615901	Washer 8,4X13X0,8	8	
25	2B002171	Special cap screw 8x25	8	
26	2B006064	Felt	1	
27	2B002535	Gasket ring 80x100x10	1	
28	2B004268	Flexible couplings hub	1	

Group	Suspensions
Code	04.040
Description	Front fork Kayaba
Service	1



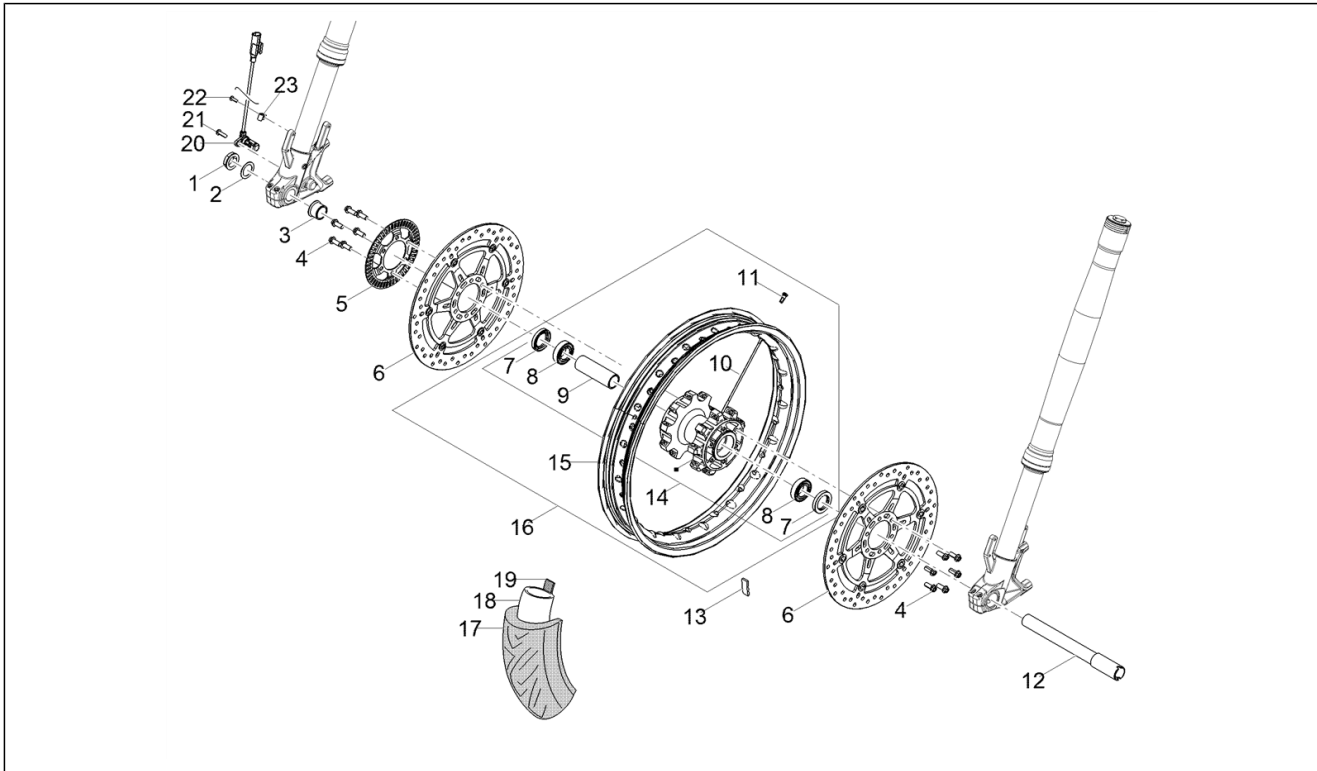
Pos.	Code	Description	Qty	Variants
1	2B004749	RH hub cpl.	1	
2	2B004748	LH hub cpl.	1	
3	2B006100	Sleeve	2	
4	2B006105	Engine oil seal kit	2	
5	2B004403	Bush	2	
6	2B006102	RH hub	1	
7	2B006101	LH hub	1	
8	2B006103	Plunger	1	
9	2B004406	Plain washer	1	
10	2B004407	screw	1	
11	2B004420	Spring	1	
12	2B006104	Preload tube	1	
13	2B004422	Washer	1	
14	2B004410	Buffer	1	
15	2B004411	Nut	1	
16	2B004412	RH sleeve plug	1	
17	2B004414	Ring	1	
18	2B004413	Plug with OR	1	
19	AP8150285	Hex socket screw M6x35	4	
20	GU05781630	Reflector, amber	2	

Group	Suspensions
Code	04.080
Description	Shock absorber
Service	1



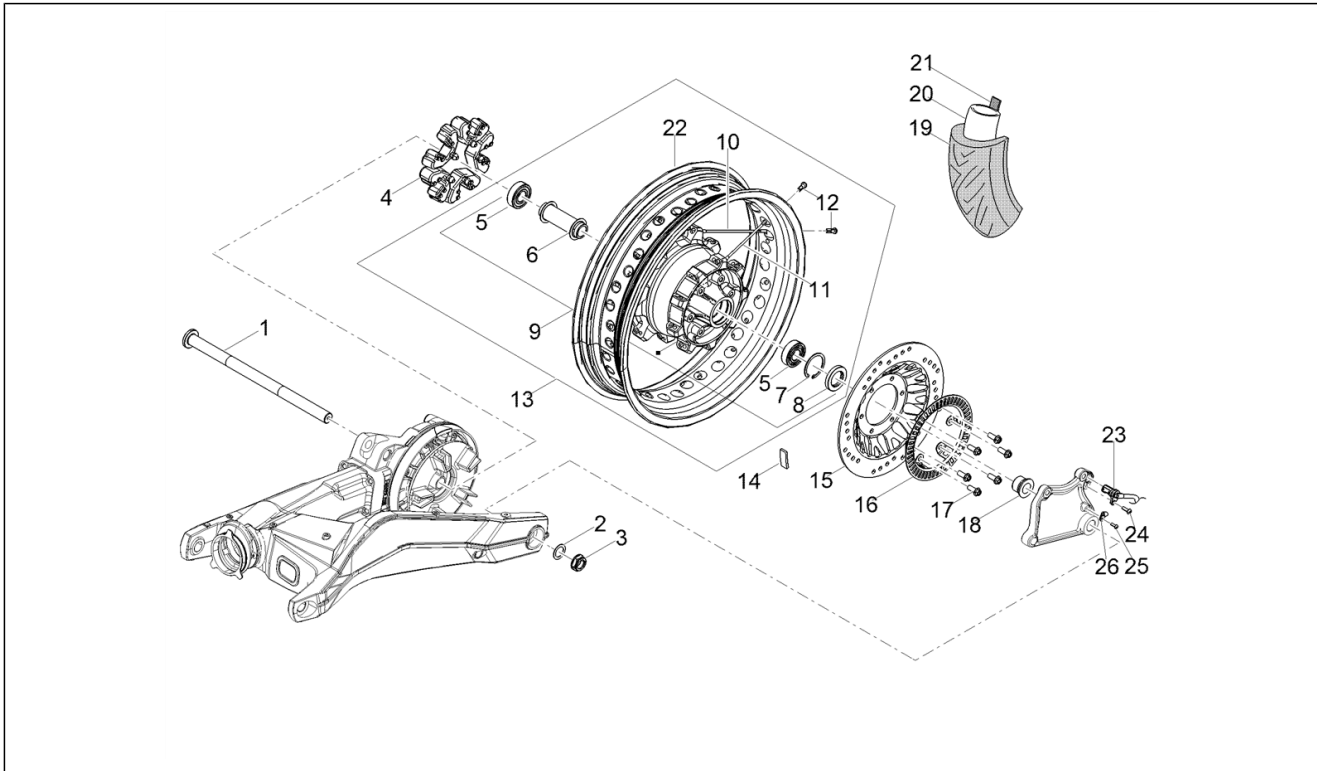
Pos.	Code	Description	Qty	Variants
1	2B004591	Rear shock absorber	1	
2	AP8150048	Hex socket screw	1	
3	AP8121615	Silencer fixing bush	1	
4	AP8152411	Hex socket screw M10x59	1	
5	AP8121155	T bush *	1	
6	AP8152301	Self-locking nut	1	

Group	Wheels
Code	05.010
Description	Front wheel
Service	1



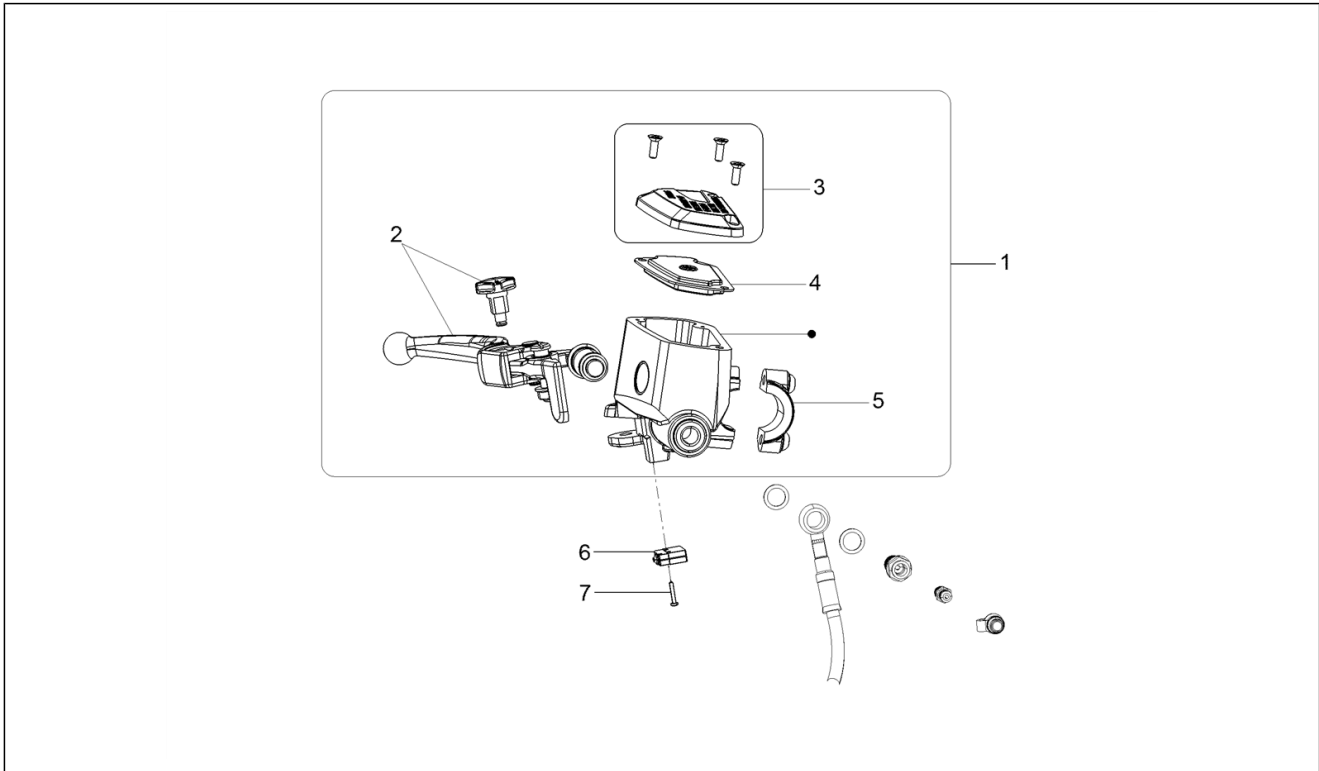
Pos.	Code	Description	Qty	Variants
1	GU01612190	Nut	1	
2	GU95005325	Washer 25,2X36X1	1	
3	978498	Spacer	1	
4	2B002416	Screw w/ flange M8x20	12	
5	2B004778	ABS phonic wheel	1	
6	883688	Front brake disc 320	2	
7	AP8125773	Gasket ring 30x47x7	2	
8	AP8125777	Ball bearing 25x47x12	2	
9	978516	Spacer	1	
10	2B004304	Spoke	36	
11	GU03631250	Nipples	36	
12	2B004305	Front wheel spindle	1	
13	GU14616150	Counterweight	1	
14	2B005446	Fr. hub	1	
15	2B006276	Wheel	1	
16	2B004300	Front wheel complete with bearings	1	
17	2B004302	Front tyre 110 80 R19 M/C 59V TL	1	Technical Specification:V85 TT[BASE]
17	2B006067	Front tyre 110/80 R 19 59V TL/TT	1	Technical Specification:V85 TT Special[SP]
18	2B005858	Inner tube	1	
19	2B006085	Front wheel flap	1	
20	859792	Sensor ABS	1	
21	1C001499	TBEI TORX screw M5x16 INOX	1	
22	581957	Hex socket screw	1	
23	859777	Fairlead	1	

Group	Wheels
Code	05.020
Description	Rear wheel
Service	1



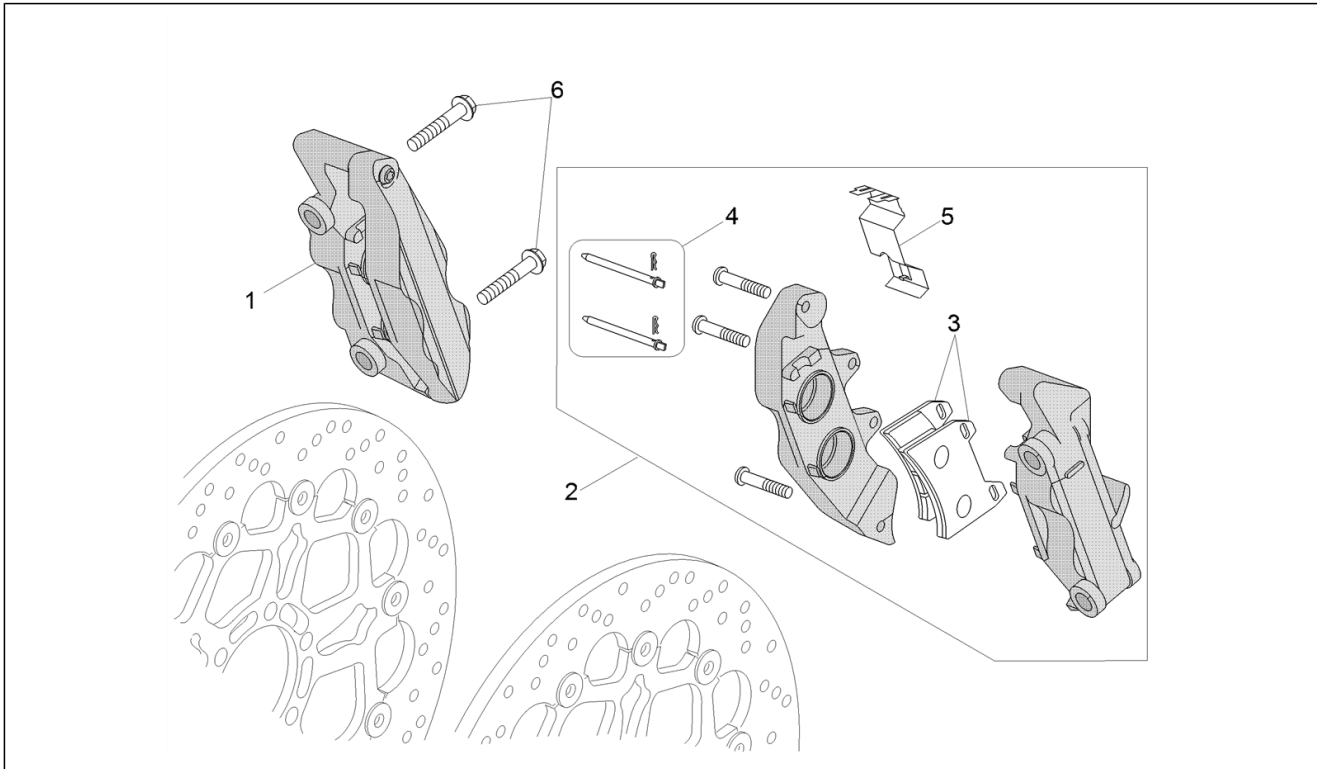
Pos.	Code	Description	Qty	Variants
1	2B004693	Rear wheel spindle	1	
2	AP8125687	Wheel pin washer	1	
3	648708	Rear wheel spindle nut	1	
4	B064290	Spring drive rubber	5	
5	GU92204220	Ball bearing 20X47X14	2	
6	2B001279	Rear wheel spacer set	1	
7	GU90272047	Circlip 47X50,5	1	
8	AP8110109	Gasket ring 28X47X7	1	
9	2B004431	Complete rear wheel hub	1	
10	2B004435	Spoke 160 mm	18	
11	2B004436	Spoke 165 mm	18	
12	GU03631250	Nipples	36	
13	2B0044385	Rear wheel	1	
14	GU14616150	Counterweight	1	
15	887448	Brake disc	1	
16	2B004396R	Phonic wheel	1	
17	2B002416	Screw w/ flange M8x20	6	
18	2B001956	Rear wheel spacer	1	
19	2B006066	Rear wheel 150/70 R 17 69V TL/TT	1	Technical Specification:V85 TT Special[SP]
19	2B004442	Rear tyre 150/70 R17 M/C 69V TL	1	Technical Specification:V85 TT[BASE]
20	GU30630430	Inner tube MD 17	1	
21	2B006086	Rear wheel flap	1	
22	2B0044375	Wheel rim	1	
23	859792	Sensor ABS	1	
24	1C001499	TBEI TORX screw M5x16 INOX	1	
25	581957	Hex socket screw	1	
26	859777	Fairlead	1	

Group	Brake system
Code	06.010
Description	Front master cilinder
Service	1



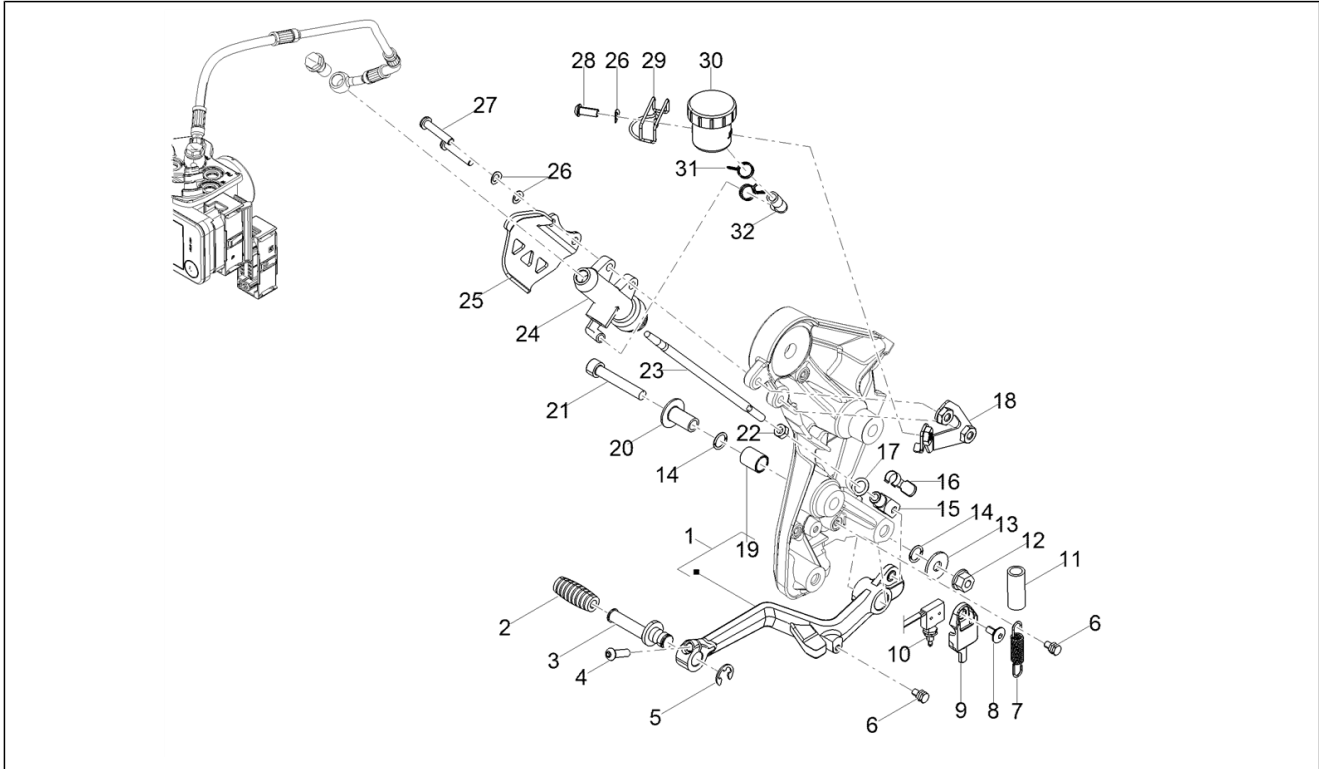
Pos.	Code	Description	Qty	Variants
1	2B006111	Front brake mast.cyl cpl	1	
2	856048	Brake lever	1	
3	B064105	Complete cover	1	
4	858423	Diaphragm	1	
5	856050	U-bolt	1	
6	887627	Brake switch diagnosable	1	
7	654174	Special cap screw M2x12*	2	

Group	Brake system
Code	06.020
Description	Front brake caliper
Service	1



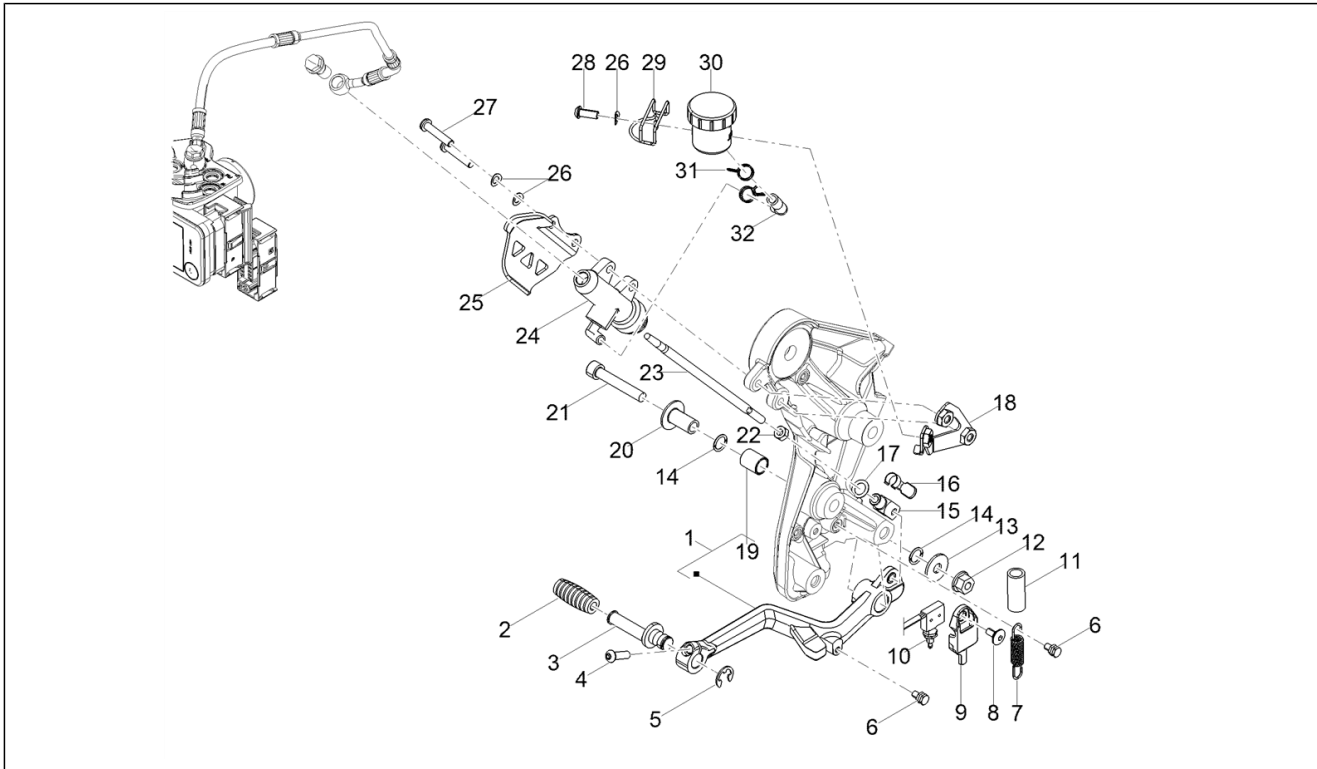
Pos.	Code	Description	Qty	Variants
1	2B005332	RH front brake caliper	1	
2	2B005331	LH front brake caliper	1	
3	2B005736	Brake pads copy	2	
4	GU01659130	Pins+Caliper springs	2	
5	GU01659131	Spring	2	
6	AP8152414	Screw w/ flange M10x55	4	

Group	Brake system
Code	06.030
Description	Rear master cylinder
Service	1



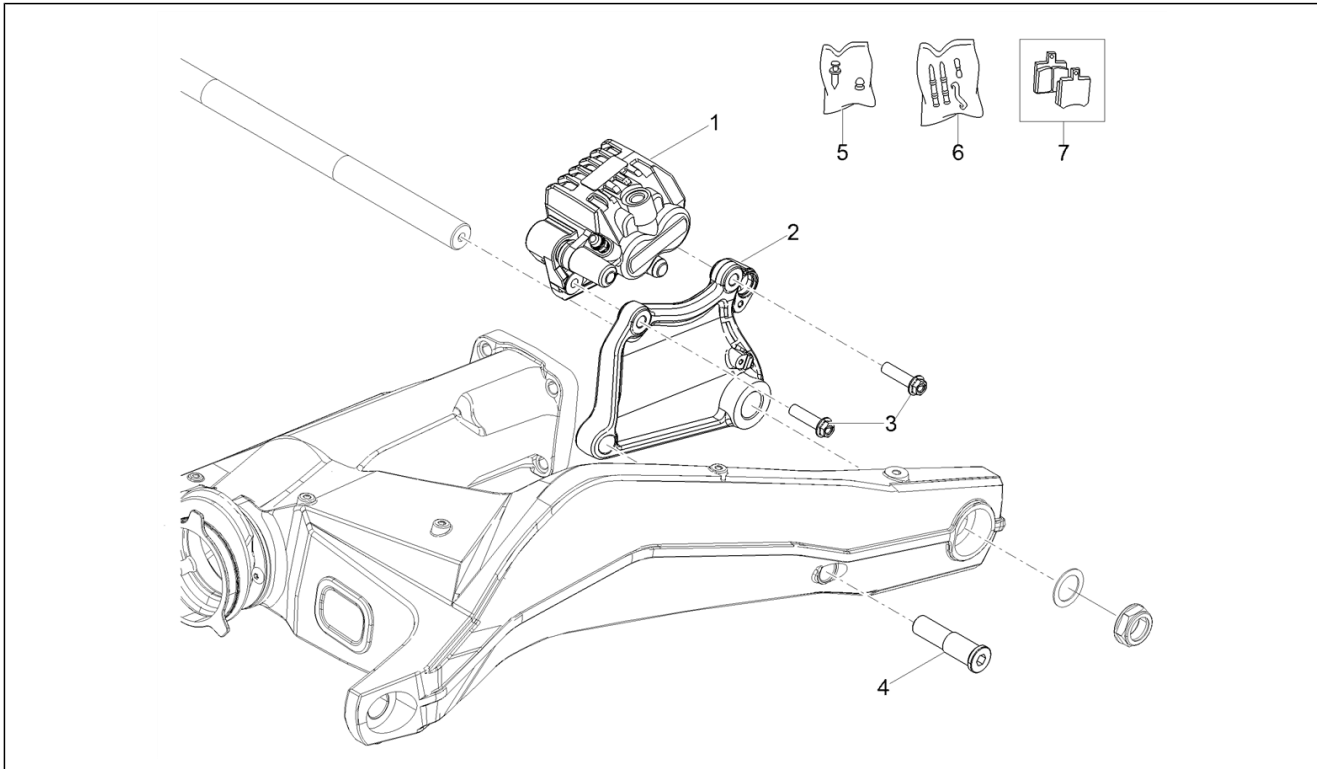
Pos.	Code	Description	Qty	Variants
1	2B005634	Rear brake lever	1	
2	AP8120912	Lever rubber	1	
3	AP8121221	Brake lever pin	1	
4	AP8224470	Hex socket screw M6x20	1	
5	AP8150462	Circlip d9	1	
6	859946	Fixing pin	2	
7	AP8121927	Rear brake lever spring	1	
8	AP8150500	Hex socket screw M5x9	1	
9	2B004845	Electric device support	1	
10	2D000325	Stop/clutch switch	1	
11	AP8120822	Silent block, spring	1	
12	967363	Nut M8x1,25	1	
13	AP8150018	Washer	1	
14	AP8144007	O-ring 11,11x1,78	2	
15	AP8113081	Fork	1	
16	AP8113082	Gear selector fork clips	1	
17	AP8120178	O-ring OR112	1	
18	2B005589	Tank support bracket	1	
19	895328	Sintered bushing	1	
20	AP8121509	Bush	1	
21	GU98680450	Hex socket screw M8x50	1	
22	GU92606206	Nut	1	
23	2B005624	Rod	1	
24	2B000508	Rear master cylinder	1	
25	2B005685	Brake master cyl.protection	1	
26	AP8150182	Curved spring washer *	3	
27	AP8152128	Hex socket screw M6x30	2	
28	AP8152108	Hex socket screw	1	

Group	Brake system
Code	06.030
Description	Rear master cylinder
Service	1



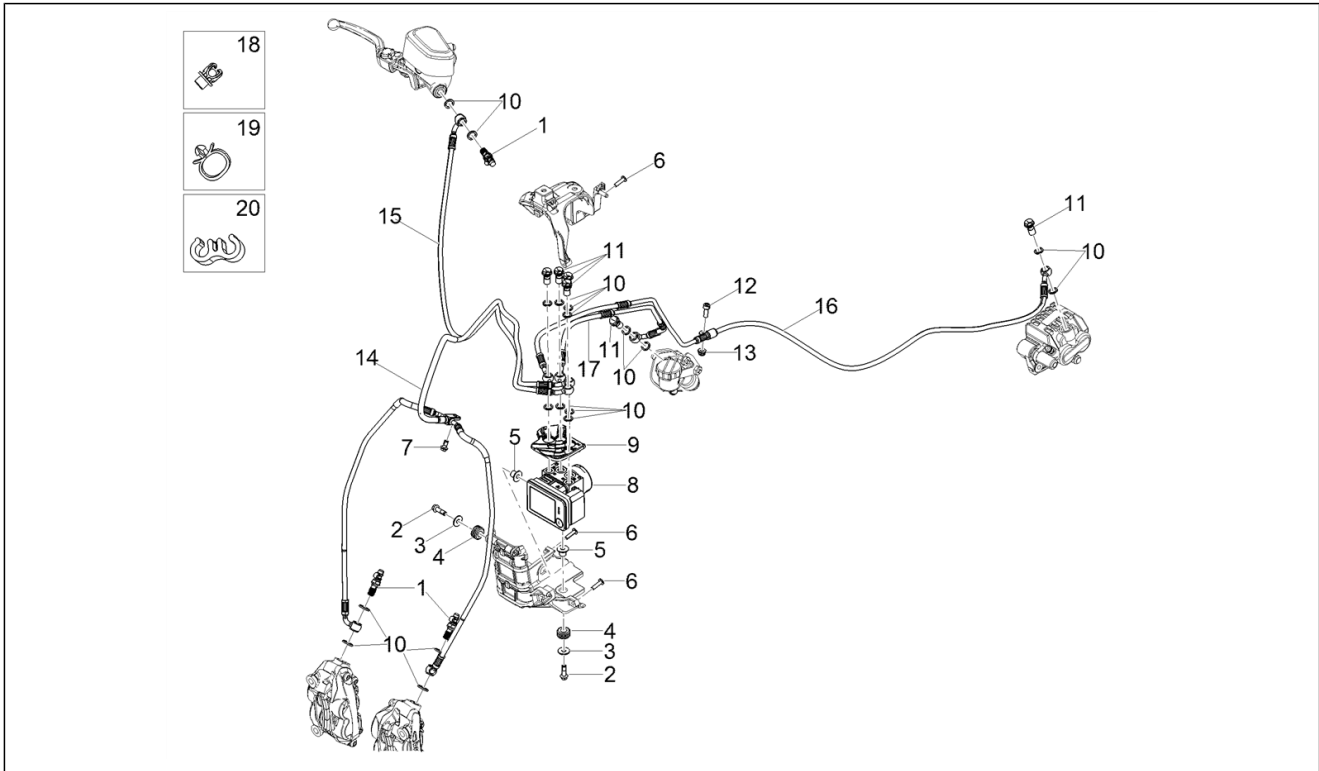
Pos.	Code	Description	Qty	Variants
29	AP8121504	Plug block	1	
30	2B002130	Brake oil tank complete	1	
31	AP8101594	Hose clamp D10,1*	2	
32	2B005379	Oil tank pipe	1	

Group	Brake system
Code	06.040
Description	Rear brake caliper
Service	1



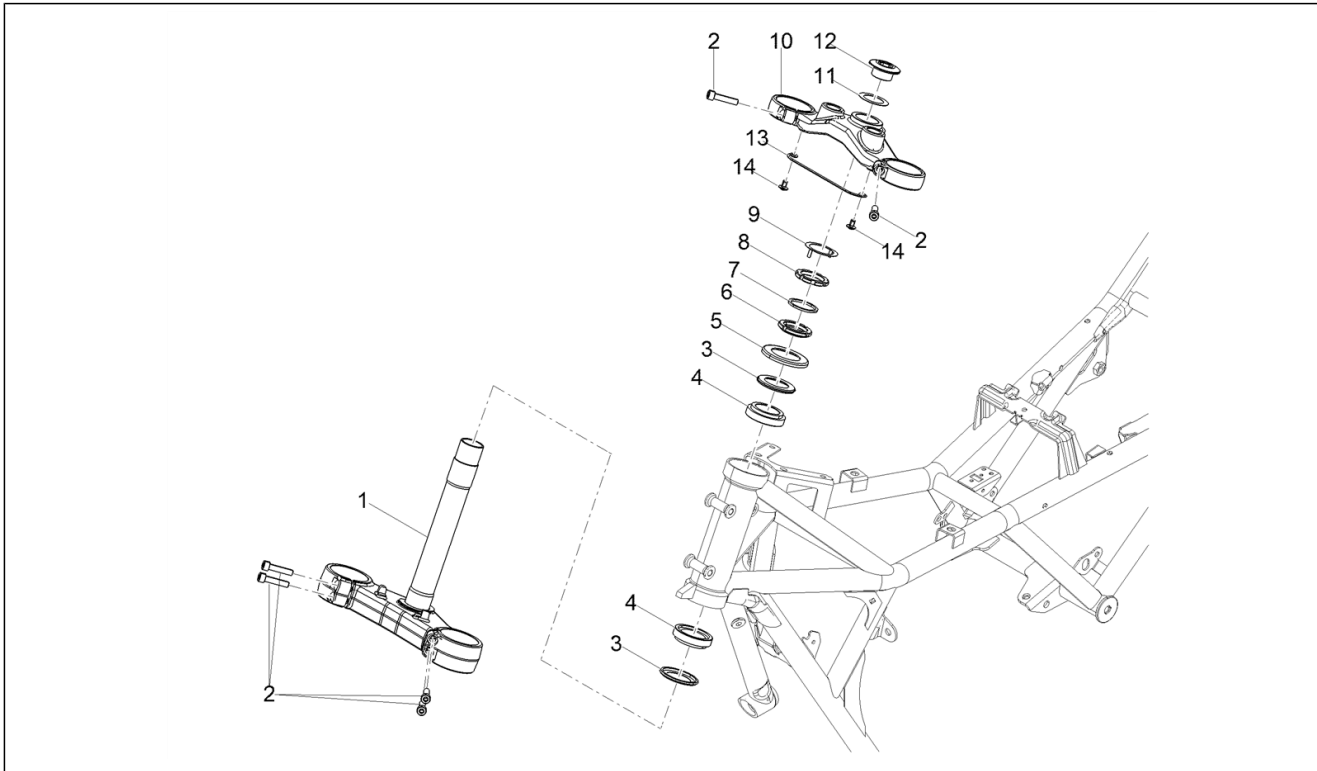
Pos.	Code	Description	Qty	Variants
1	2B000525	Rear brake caliper	1	
2	2B004770	Brake caliper support plate	1	
3	AP8152288	Screw w/ flange M8x30	2	
4	GU31544181	Pin	1	
5	GU31659281	Bleeder+cap	1	
6	GU31659181	Pins+spring kit	1	
7	2R000248	Brake pads couple	1	

Group	Brake system
Code	06.050
Description	ABS Brake system
Service	1



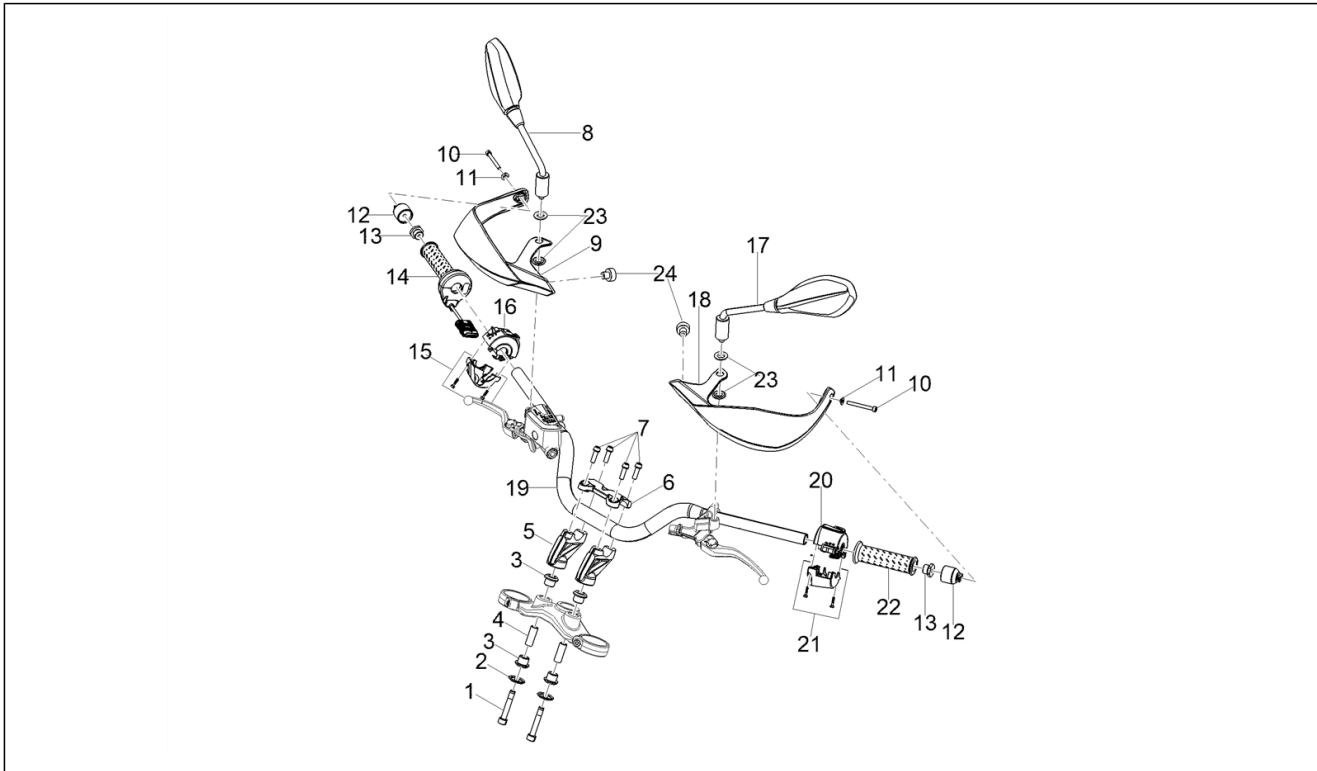
Pos.	Code	Description	Qty	Variants
1	AP8133945	Bleeder kit	3	
2	00H02402282	screw 6X20	2	
3	AP8150015	Washer 6,6x18x1,6*	2	
4	AP8120030	Rubber spacer	2	
5	AP8221023	T bush	2	
6	AP8152329	Phillips screw, SWP M5x20	3	
7	2B005143	Screw w/ flange M6x12	1	
8	2D000453	ABS electrohydraulic unit, prefilled	1	
9	2B005287	plate	1	
10	AP8113004	Washer 10x14x1,6*	18	
11	1C001209	Special screw	6	
12	AP8152273	Screw w/ flange M5x15	1	
13	AP8152306	Self-locking nut M5	1	
14	2B005374	ABS HECU pipe - Front clamp	1	
15	2B005373	ABS HECU pipe - Front pump	1	
16	2B005376	ABS HECU pipe - Rear clamp	1	
17	2B005375	ABS HECU pipe - Rear pump	1	
18	AP8121882	Cable-guide	2	
19	641652	Spring	3	
20	2B000276	Staple	1	

Group	Handlebar - Controls
Code	07.010
Description	Steering
Service	1



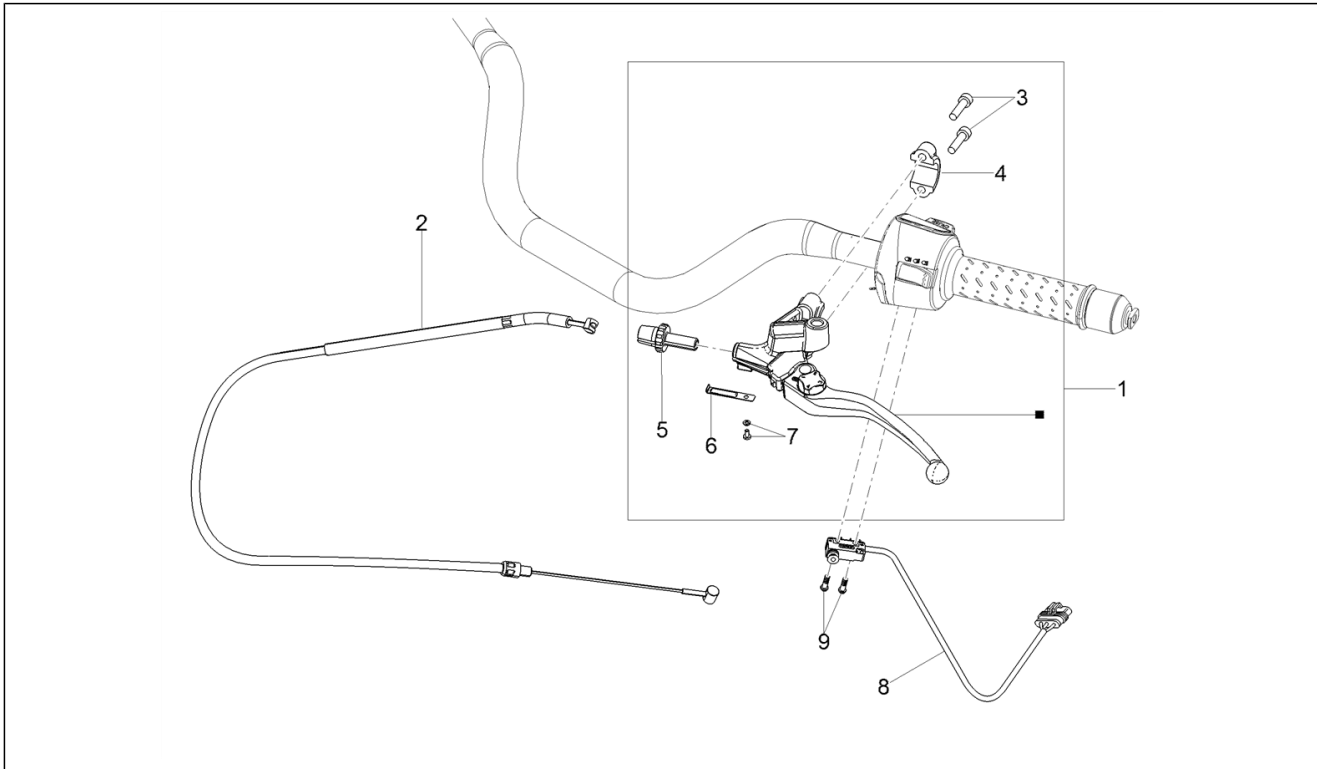
Pos.	Code	Description	Qty	Variants
1	2B004647	Lower plate complete with headstock	1	
2	AP8150236	Hex socket screw M8x35	6	
3	AP8123641	Dust cover ring	2	
4	AP8110077	Axial ball bearing	2	
5	AP8123644	Dust cover ring	1	
6	AP8123642	Ring nut	1	
7	887831	Rubber spacer	1	
8	AP8123643	Return ring nut	1	
9	887832	Steering security plate	1	
10	2B004944	[...]	1	
11	AP8152384	Stem plug washer	1	
12	AP8121205	Upper plate fixing bush	1	
13	2B000100	Fairlead	1	
14	2B000215	Screw w/ flange M6x10	2	

Group	Handlebar - Controls
Code	07.020
Description	Handlebar - Controls
Service	1



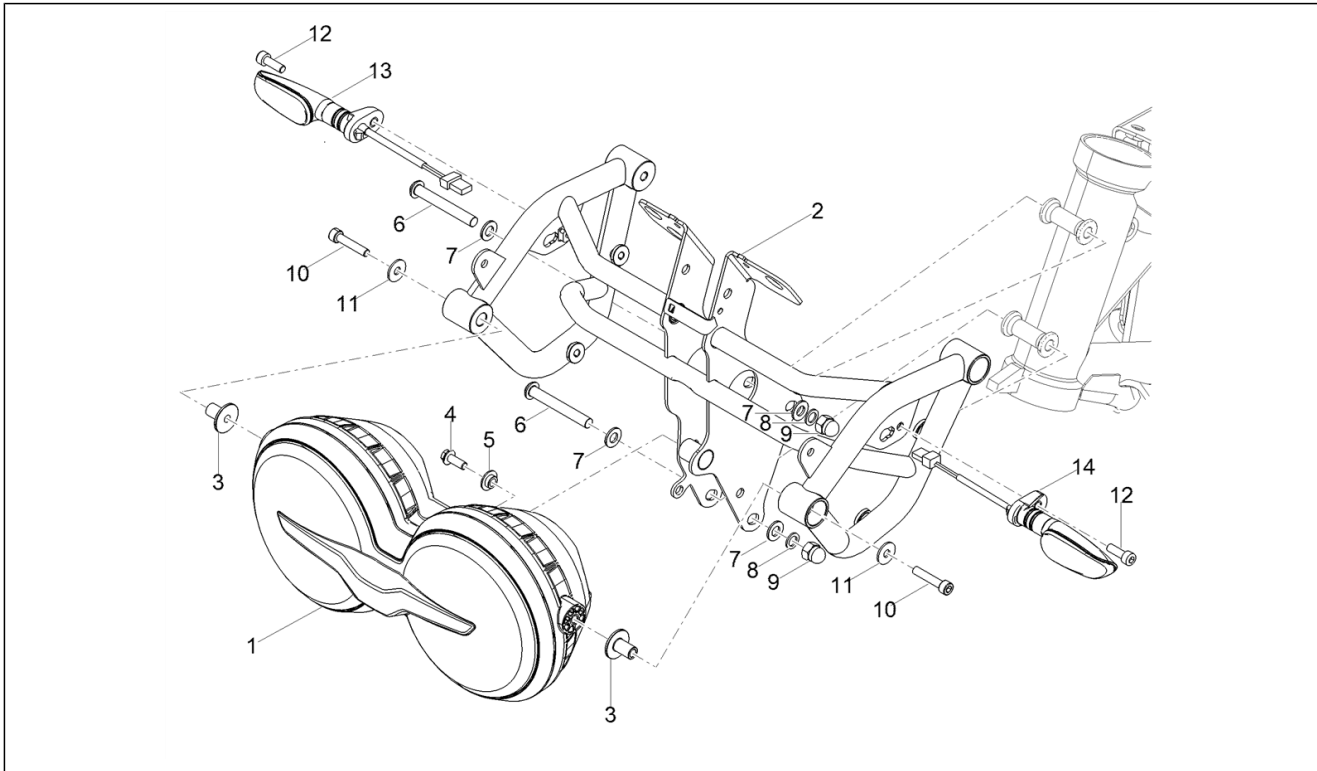
Pos.	Code	Description	Qty	Variants
1	2B004798	Pre-impregnated screw TCEI M10X60 8.8	2	
2	AP8123721	Cup	2	
3	AP8144222	Rubber spacer	4	
4	854827	Spacer 10,1x14,1x38	2	
5	2B005683	Handlebar U-bolt	2	
6	2B004163	Upper clamp	1	
7	AP8152486	Screw M8x25 INOX	4	
8	2B006207		1	
9	856855	RH handguard, black	1	
10	AP8150045	Hex socket screw M6x55	2	
11	AP8121032	Bush	2	
12	859949	Anti.v weight, black	2	
13	AP8121520	Anti vib.weight trailing	2	
14	2D000095	Electronic gas control	1	
15	2D000163	Lower shell DX	1	
16	2D000528	RH handlebar control set	1	
17	2B006208	Driving mirror l.h.	1	
18	2B005927	RH handguard	1	
19	2B005257	Handlebar	1	
20	2D000339	LH handlebar control set	1	
21	2D000504	Lower left shell	1	
22	AP8118579	LH hand grip	1	
23	AP8121080	Spacer	4	
24	AP8144081	Rubber spacer	2	

Group	Handlebar - Controls
Code	07.030
Description	Clutch control
Service	1



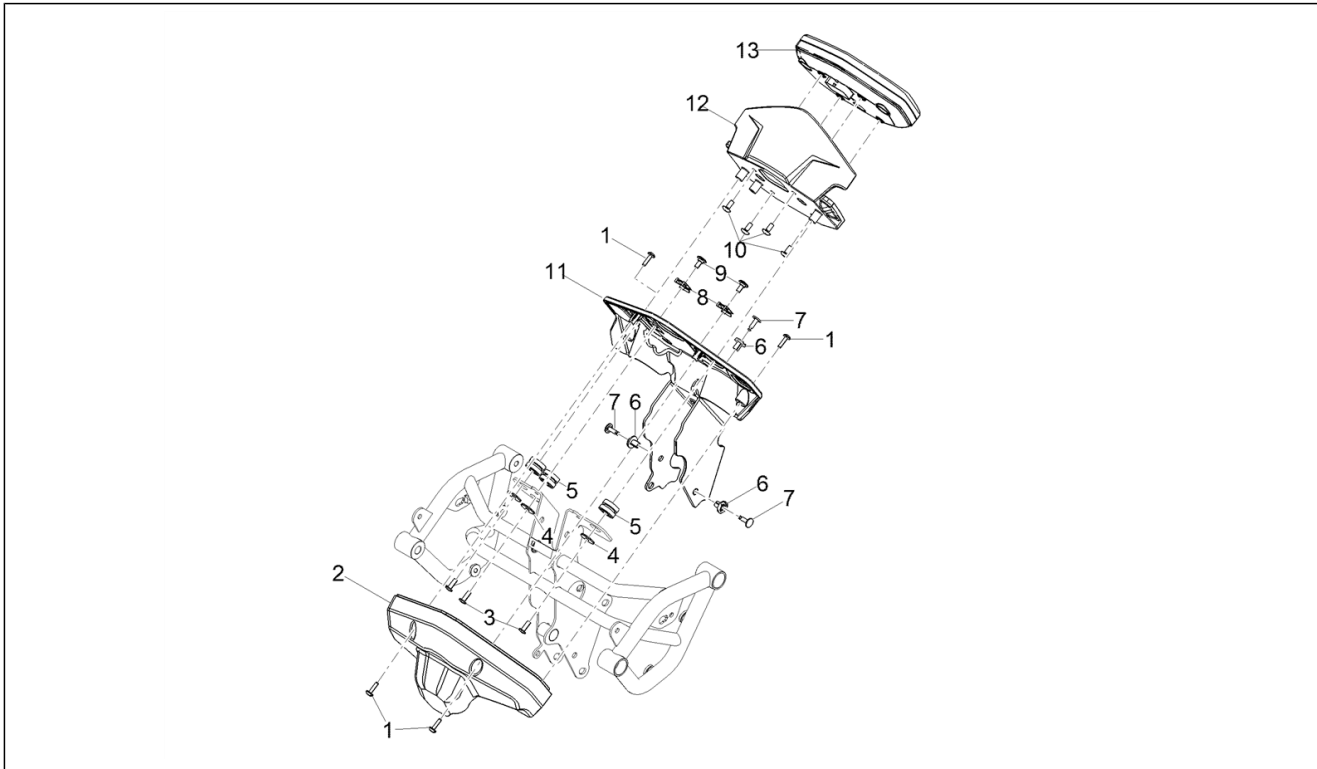
Pos.	Code	Description	Qty	Variants
1	2B004720	Clutch control lever set	1	
2	2B005851	Clutch cable	1	
3	2B006308		2	
4	856050	U-bolt	1	
5	2B004721	Clutch cable register	1	
6	2B006307	Spring	1	
7	2B006306	screw	1	
8	2D000497	Diagnosable clutch switch	1	
9	654174	Special cap screw M2x12*	2	

Group	Lights - Instruments
Code	08.010
Description	Front lights
Service	1



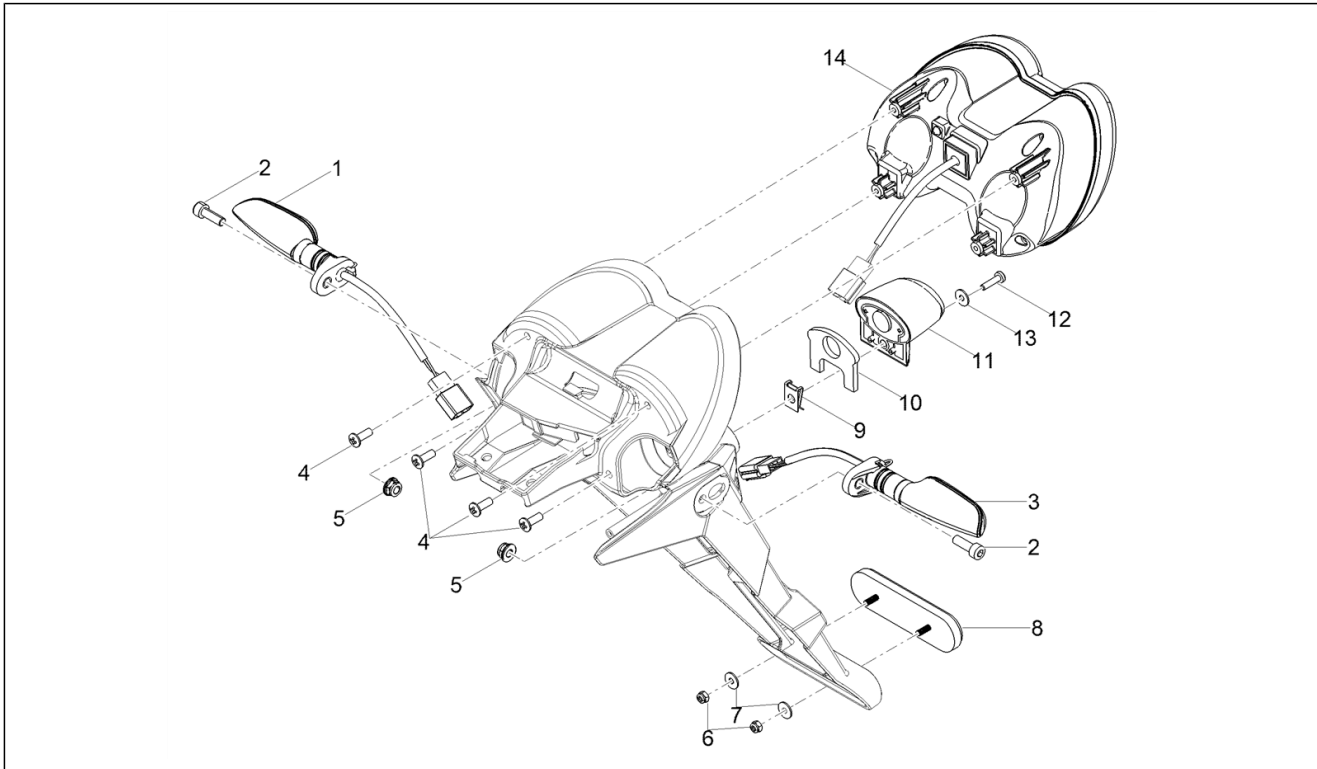
Pos.	Code	Description	Qty	Variants
1	2D000415	Headlight	1	
2	2B005457000YE9	Front frame	1	Colour:Blu Atlante[BLUE] Grigio Atacama[GREY] Rosso vulcano[RED]
2	2B005457000YR8	Front frame	1	Colour:Yellow Sahara Special[YEL] Red kalahari Special[ROS]
3	AP8221228	Bush	2	
4	AP8152278	Screw w/ flange M6x16	1	
5	AP9100053	Bush d.10-h.3,5	1	
6	GU98350460	screw	2	
7	AP8163165	Stainless washer 16x8.4x1.6	4	
8	GU14615901	Washer 8,4X13X0,8	2	
9	860651	Cap nut M8x1,25	2	
10	GU98692325	Hex socket screw M6x25	2	
11	AP8150378	Washer 6,4x18x2	2	
12	GU98692318	Hex socket screw	2	
13	2D000439		1	
14	2D000438	Front left/Rear right turn sig. lamp	1	

Group	Lights - Instruments
Code	08.020
Description	Instruments
Service	1



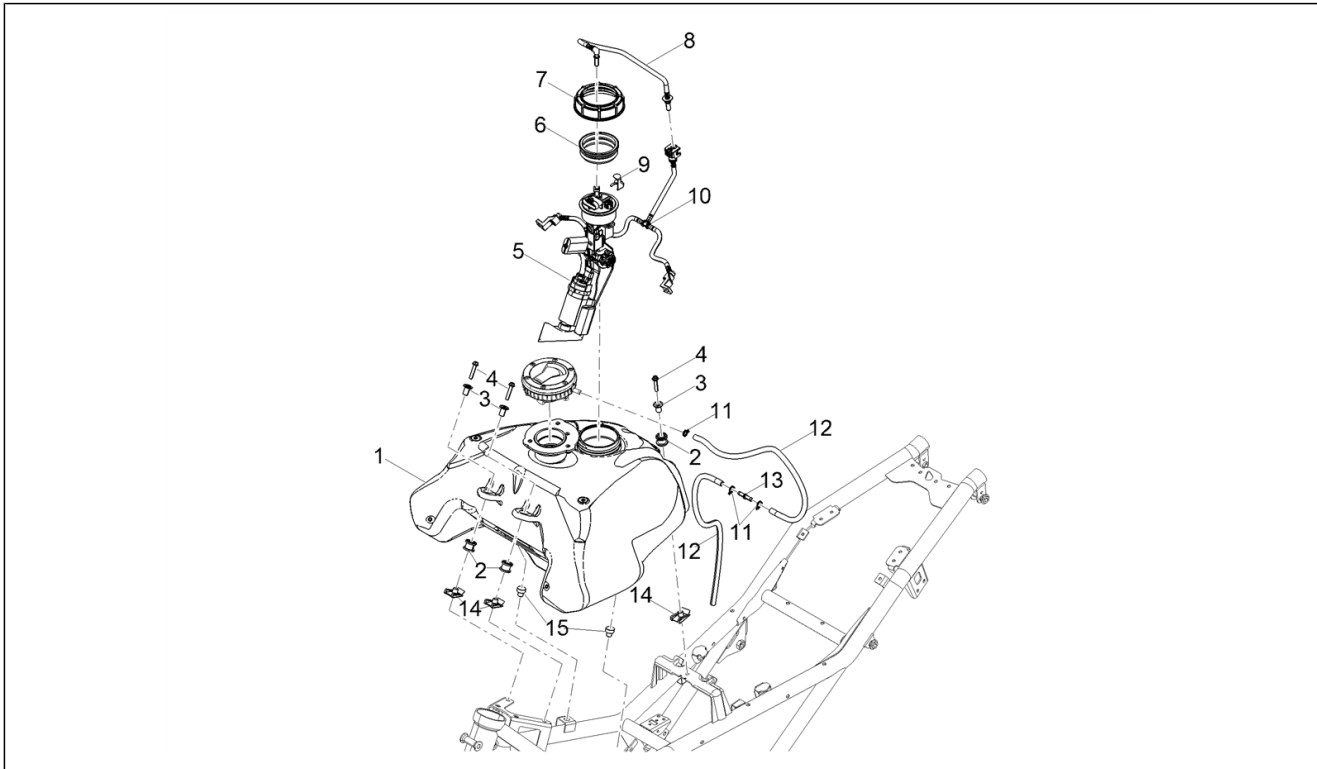
Pos.	Code	Description	Qty	Variants
1	AP8150512	Self-tap screw 3,3x16	4	
2	2B005455	Dashboard lockup	1	
3	AP8150509	Self-tap screw 5x14	3	
4	AP8150255	Washer 5x20x1,5	3	
5	AP8220150	Rubber spacer	3	
6	AP8144616	Rivet, female	3	
7	AP8144563	Rivet, male	3	
8	AP8102375	Clip M5	2	
9	AP8150500	Hex socket screw M5x9	2	
10	896174	Hex socket screw Black M5x12	4	
11	2B005454	Dashboard panel	1	
12	2B005452	Dashboard lid	1	
13	2D000446	Dashboard	1	

Group	Lights - Instruments
Code	08.030
Description	Rear lights
Service	1



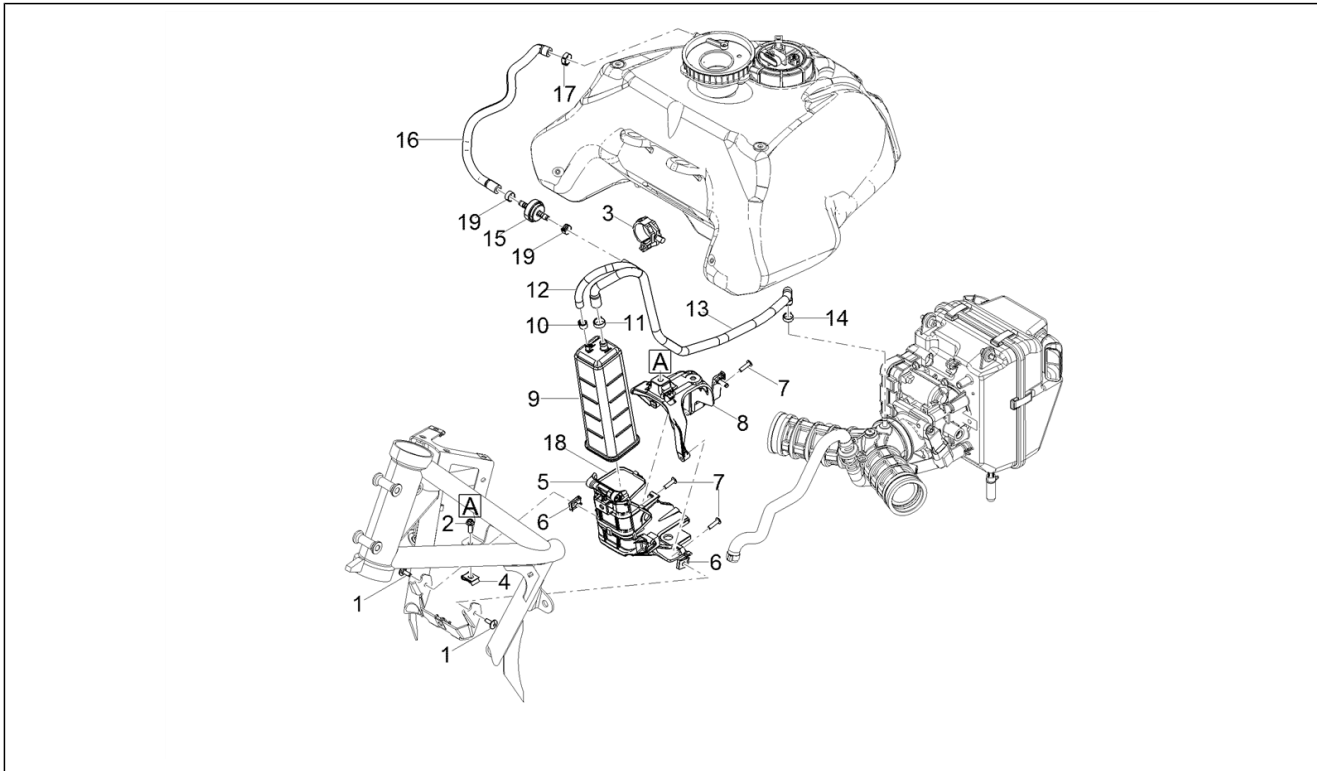
Pos.	Code	Description	Qty	Variants
1	2D000438	Front left/Rear right turn sig. lamp	1	
2	GU98692318	Hex socket screw	2	
3	2D000439		1	
4	AP8150509	Self-tap screw 5x14	4	
5	AP8152299	Self-locking nut M6	2	
6	AP8150204	Nut M4	2	
7	AP8150501	Washer	2	
8	AP8124718	Rear reflector, red	1	
9	AP8102381	Clip M4	1	
10	GU32474710	Support rubber part	1	
11	85256R	Number-plate light	1	
12	AP8150522	Screw 4,2x16	1	
13	AP8150501	Washer	1	
14	2D000418	Taillight	1	

Group	Tank
Code	09.010
Description	Fuel tank
Service	1



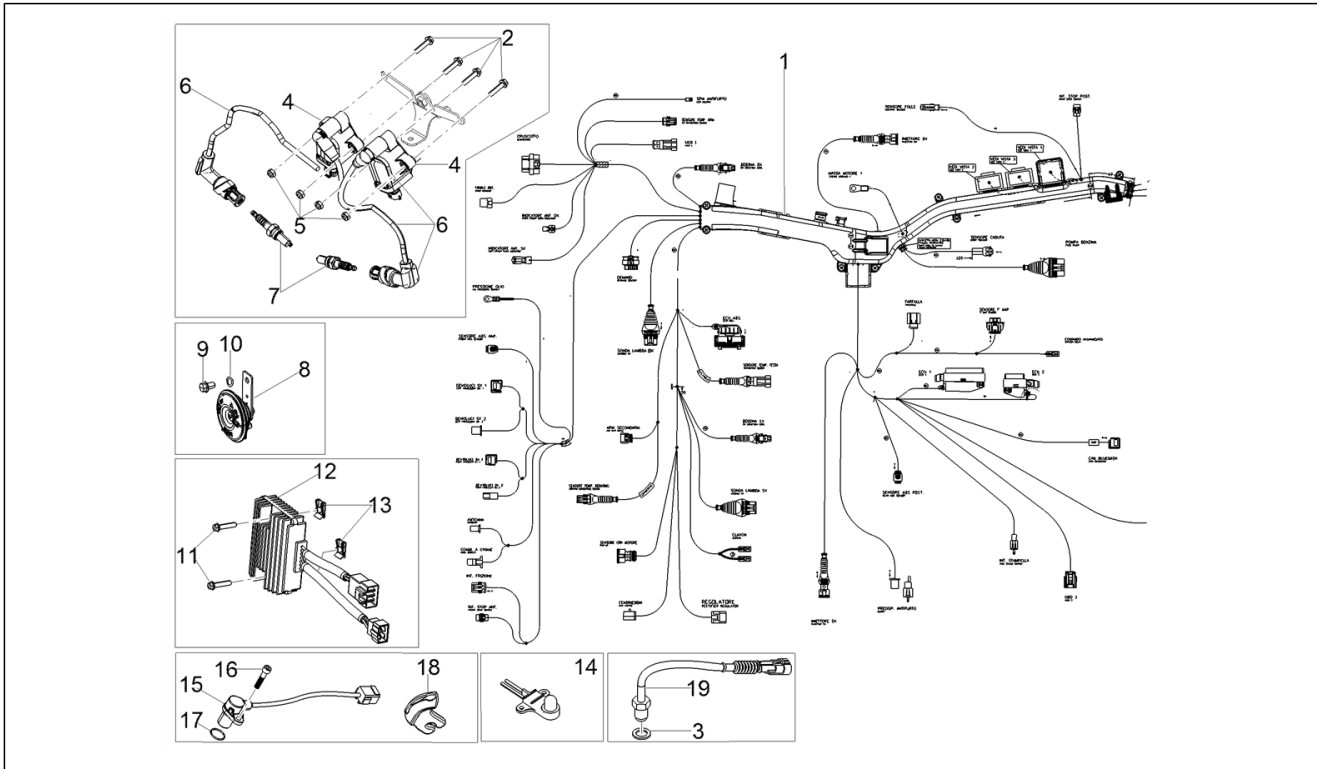
Pos.	Code	Description	Qty	Variants
1	2B005112	Fuel tank	1	
2	AP8144328	Rubber spacer	3	
3	AP8121421	T bush	3	
4	AP8152281	Screw w/ flange M6x30	1	
5	2D000451	Fuel pump	1	
6	656003	Gasket	1	
7	576546	Ring nut	1	
8	2B005119	Complete fuel pipe	1	
9	1B004354	Fuel pipe retainer bracket	1	
10	2B005075	Complete fuel pipe	1	
11	AP8102378	Hose clamp D11,3	3	
12	AP8120952	Fuel pipe 5,5x10	2	
13	2B000219	Joint	1	
14	254485	Spring plate M6	3	
15	AP8144158	Rubber spacer	2	

Group	Tank
Code	09.020
Description	Fuel vapour recover system
Service	1



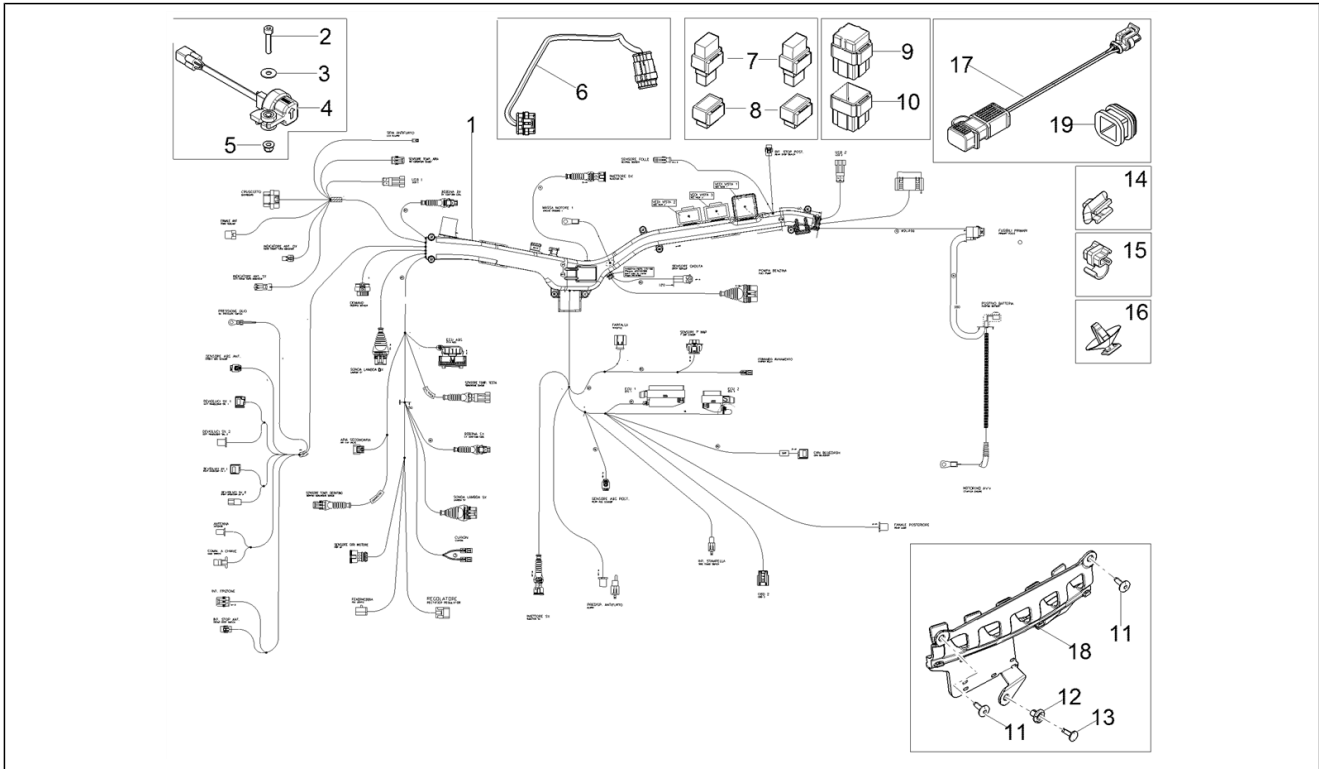
Pos.	Code	Description	Qty	Variants
1	AP8152302	Screw w/ flange M5x12	2	
2	AP8152278	Screw w/ flange M6x16	1	
3	CM006903	Pipes/cables retainer spring	1	
4	254485	Spring plate M6	1	
5	2B004991	Support clamp	1	
6	AP8102375	Clip M5	2	
7	AP8152329	Phillips screw, SWP M5x20	1	
8	2B005243	Upper bracket	1	
9	2B005142	Canister	1	
10	AP8102738	Hose clamp	1	
11	AP8101586	Hose clip D.15,5x6,6	1	
12	2B004280	Canister / valve pipe	1	
13	2B005857	Induction joint canister pipe	1	
14	AP8102239	Hose clamp 12,5x8	1	
15	CM179008	Safety valve	1	
16	856063	pipe SAE 30 d.12,7x6,35	1	
17	AP8102764	White hose clip d.13x6	1	
18	GU93304390	Hose clamp 3,6x375	1	
19	AP8102520	Hose clamp	2	

Group	Electrical systems
Code	11.010
Description	Front electrical system
Service	1



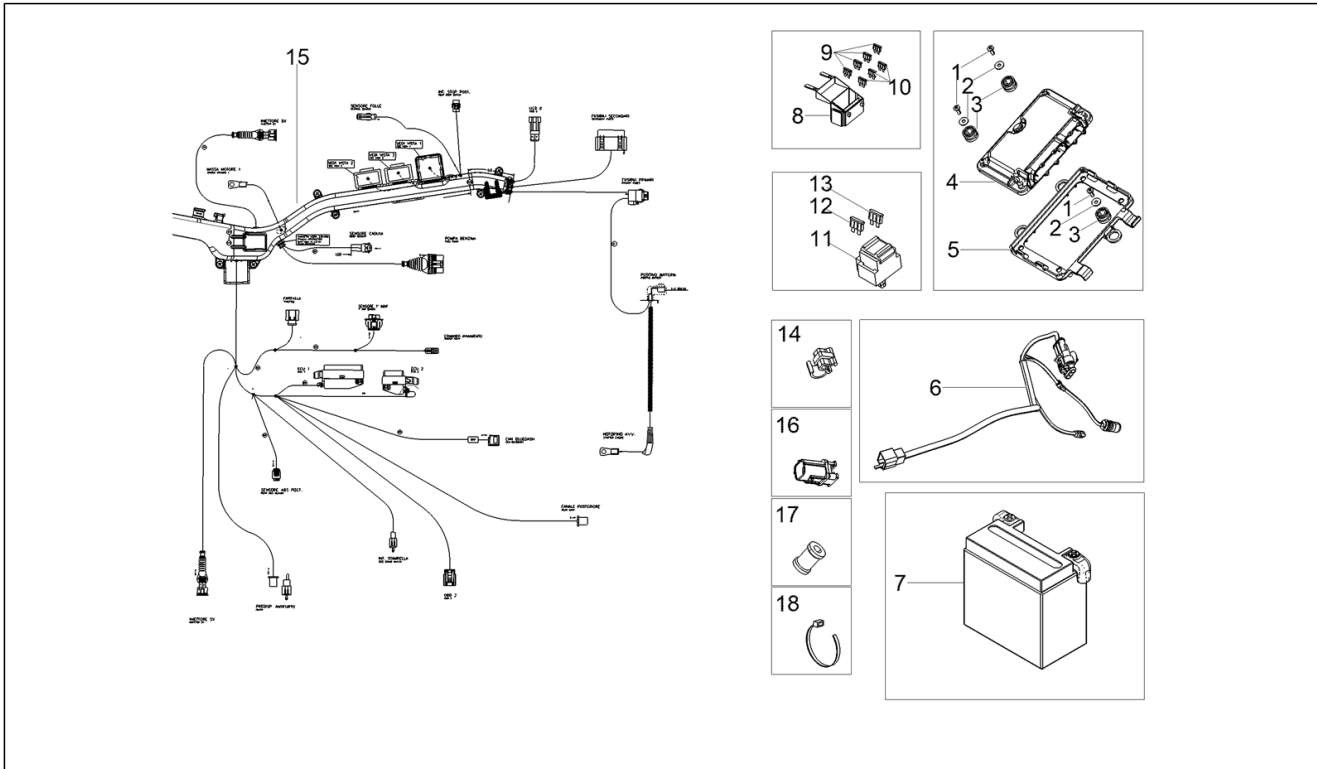
Pos.	Code	Description	Qty	Variants
1	2D000444	Main wiring harness	1	
2	AP8152280	Screw w/ flange M6x25	4	
3	969973	Washer	1	
4	641901	HT coil	2	
5	AP8150430	Low self-locking nut	4	
6	CM277103	Complete H.V. cable	2	
7	1A010638	Ignition spark plug MR8BI-8 NGK	2	
8	2D000454	Horn	1	
9	AP8152285	Screw w/ flange	1	
10	658837	Crinkle washer D15 F8,4 S1,5 - INOX	1	
11	AP8152281	Screw w/ flange M6x30	2	
12	640698	Voltage regulator	1	
13	254485	Spring plate M6	2	
14	AP8124936	Air temp. Sensor	1	
15	832029	Encoder sensor	1	
16	GU98682314	Hex socket screw M6x14	1	
17	847180	O-ring	1	
18	1A014724	Fairlead	1	
19	1A014658	Oil temperature sensor	1	

Group	Electrical systems
Code	11.020
Description	Central electrical system
Service	1



Pos.	Code	Description	Qty	Variants
1	2D000444	Main wiring harness	1	
2	GU98680225	Hex socket screw M5x25	2	
3	AP8150248	Washer 5,5x15x1,6	1	
4	642248	Fall sensor	1	
5	AP8152306	Self-locking nut M5	1	
6	2D000494	Fuel pump wiring	1	
7	AP8224462	Relay 12V-30A	2	
8	AP8220283	Rubber spacer *	1	
9	895481	Injection relay 12V-40W	1	
10	896715	Relay rubber	1	
11	AP8152302	Screw w/ flange M5x12	2	
12	AP8144616	Rivet, female	1	
13	AP8144563	Rivet, male	1	
14	B005629	Molletta	1	
15	CM013203	Sheet edge spring	1	
16	890760	Instrument support	1	
17	1D002259R	USB port	1	
18	2B005590	Wiring harness support	1	
19	1B001591	Fairlead	1	

Group	Electrical systems
Code	11.030
Description	Rear electrical system
Service	1



Pos.	Code	Description	Qty	Variants
1	AP8150509	Self-tap screw 5x14	3	
2	AP8150382	Washer 15x5,5X1,2	3	
3	AP8220150	Rubber spacer	3	
4	CM281714	Electronic injection device	1	
5	858882	Maintenance	1	
6	2D000493	Taillight wiring harn.	1	
7	638733	Battery Yuasa YTX14-BS 12V-12Ah (150x87x145)	1	
8	894603	Fuse holder box	1	
9	CM225615	Fuse 15A	3	
10	CM225607	Fuse 7,5A	4	
11	AP8112811	Rubber fuse box	1	
12	CM225730	Fuse 30A	1	
13	CM225720	Fuse 20A	1	
14	CM013203	Sheet edge spring	1	
15	2D000444	Main wiring harness	1	
16	1D002384	Cover	1	
17	109355	Fairlead	1	
18	GU14609650	Hose clamp 3,6x20,6	1	