


MOTO GUZZI®

ERSATZTEILKATALOG



V85 TT 850 E5 ABS 2021 (EMEA)

Vorsatzcode Fahrgestell: ZGUKYA00

Vorsatzcode Motor: AX

Inhaltsverzeichnis

Fertige Produkte.....	4
Alphanumerisches Verzeichnis.....	5
Rahmen.....	11
Tafel 01.010 - Rahmen.....	11
Tafel 01.020 - Fussrasten.....	13
Tafel 01.030 - Hauptständer.....	14
Tafel 01.040 - Schutz.....	15
Tafel 01.050 - Schwinge.....	16
Aufbau.....	17
Tafel 02.030 - Vorderes Schutzblech-Stütze.....	17
Tafel 02.050 - Windschild / Windschutzscheibe.....	19
Tafel 02.090 - Tankabdeckung.....	20
Tafel 02.100 - Mittlerer Aufbau.....	21
Tafel 02.120 - Sitz.....	22
Tafel 02.130 - Staufach.....	23
Tafel 02.140 - Heckaufbau.....	24
Tafel 02.150 - Hinteres schutzblech.....	25
Tafel 02.160 - Gepäckträger.....	26
Tafel 02.170 - Schlösser.....	27
Tafel 02.180 - Schilden.....	28
Tafel 02.190 - Deko.....	29
Motor.....	30
Tafel 03.010 - Motor-Fertigstellung.....	30
Tafel 03.020 - Schalthebel.....	31
Tafel 03.030 - Gehäuse I.....	32
Tafel 03.050 - Filtergehäuse.....	33
Tafel 03.060 - Klappenkörper.....	34
Tafel 03.090 - Kopfdeckel.....	35
Tafel 03.100 - Zylinderkopf - ventile.....	36
Tafel 03.120 - Steuer.....	37
Tafel 03.150 - Zylinder - Kolben.....	39
Tafel 03.160 - Kurbelwelle.....	40
Tafel 03.170 - Schaltgetriebe / Schaltgabel / Desmodrom.....	41
Tafel 03.180 - Schaltgetriebe - Zahnräder.....	44
Tafel 03.190 - Schmierung.....	46
Tafel 03.196 - Anlage Blow-by.....	48
Tafel 03.230 - Kupplung.....	49
Tafel 03.270 - Zuenderdeckel.....	51
Tafel 03.290 - Zündung / Elektrischer Anfang.....	52
Tafel 03.300 - Schwungmagnetstarter / Zündung.....	53
Tafel 03.320 - Secondary air.....	54
Tafel 03.330 - Auspuffrohr.....	55
Tafel 03.340 - Getriebe kpl.....	56

Tafel 03.350 - Getriebedeckel.....	57
Radaufhängungen.....	59
Tafel 04.040 - Vorderradgabel Kayaba.....	59
Tafel 04.080 - Stoßdämpfer.....	60
Räder.....	61
Tafel 05.010 - Vorderrad.....	61
Tafel 05.020 - Hinterrad.....	62
Bremsanlage	64
Tafel 06.010 - Vorderradbremspumpe.....	64
Tafel 06.020 - Vorderradbremzange.....	65
Tafel 06.030 - Hinterradbremspumpe.....	66
Tafel 06.040 - Hinterradbremzange.....	68
Tafel 06.050 - Bremsanlage ABS.....	69
Lenkstange - Schaltungen.....	70
Tafel 07.010 - Lenkung.....	70
Tafel 07.020 - Lenkstange - Schaltungen.....	71
Tafel 07.030 - Kupplungssteuerung.....	72
Vorderer lichter - Instrumente.....	73
Tafel 08.010 - Vorderer lichter.....	73
Tafel 08.020 - Instrumente.....	74
Tafel 08.030 - Hinterer lichter.....	75
Tank.....	76
Tafel 09.010 - Kraftstofftank.....	76
Tafel 09.020 - Benzindampfrückf.-Anlage.....	77
Elektrische Anlage.....	78
Tafel 11.010 - Vorder Elektrische Anlage.....	78
Tafel 11.020 - Mitt. elektrische Anlage.....	79
Tafel 11.030 - Hint.Elektrische Anlage.....	80

Fertige Produkte

Code	Gültigkeit
GU9032273EUM01	
GU9032273GSM01	
GU9032274EUM01	
GU9032274EUM02	
GU9032274GSM01	
GU9032274GSM02	
GU9032276EUM01	

Code	Nr. der Tafel	Pos.	Code	Nr. der Tafel	Pos.	Code	Nr. der Tafel	Pos.
000267	03.300	7	1A009167	03.060	1	1A017801	03.320	2
00H02201731	03.330	13	1A009346	03.120	14	1A017866	03.150	13
013763	03.190	34	1A009630	03.230	40	1A017867	03.150	1
109355	02.130	9	1A010638	11.010	7	1A017929	03.190	30
109355	11.030	17	1A010753	03.160	9	1A018096R	03.170	48
1A000360	03.180	7	1A010855	03.150	12	1A018180	03.170	43
1A000361	03.180	13	1A011173	03.100	10	1A018208	03.170	1
1A000365	03.180	16	1A011548	03.150	6	1A018712	03.030	14
1A000366	03.180	25	1A011722	03.100	15	1A018733	03.030	13
1A000367	03.180	23	1A011963	03.120	20	1A018734	03.030	5
1A000368	03.180	22	1A012793	03.120	17	1A019905	03.060	4
1A000370	03.180	24	1A012899	03.100	14	1B001591	11.020	15
1A000436	03.180	10	1A013671	03.120	15	1B004354	09.010	9
1A000566	03.180	4	1A013793	03.090	3	1C001209	06.050	11
1A000566	03.230	27	1A013795	03.090	2	1C001499	05.010	21
1A000833	03.330	7	1A013796	03.090	11	1C001499	05.020	24
1A002604	03.180	9	1A013815	03.190	3	1D001393	03.060	8
1A003001	03.170	47	1A013822	03.090	10	1D002384	11.030	16
1A003111	03.190	31	1A013883	03.120	24	1D002525	09.010	16
1A003444	03.090	7	1A013936	03.150	3	1D003323	11.020	17
1A003452	03.100	9	1A014335	03.330	9	1R000319	11.030	7
1A003632R	03.100	7	1A0143906	03.030	1	224566	03.350	7
1A004442	03.190	35	1A014410	03.190	17	224664	02.120	4
1A004530	03.030	15	1A014411	03.190	18	237553	03.190	12
1A004549	03.190	11	1A014459	03.100	6	254485	01.010	5
1A004660	03.100	1	1A014626	03.300	6	254485	02.150	5
1A004661	03.100	1	1A014668	03.160	6	254485	03.050	15
1A004662	03.100	1	1A014777	03.030	21	254485	03.330	8
1A004750	03.100	11	1A014844	03.190	16	254485	09.010	14
1A004751	03.100	8	1A014908	03.190	28	254485	09.020	4
1A004907	03.120	27	1A015041	03.120	13	254485	11.010	13
1A004954	03.150	4	1A015041	03.300	5	287174	03.170	55
1A004955	03.150	5	1A015068	03.170	56	287174	03.190	8
1A005257	03.190	33	1A015068	03.190	7	288245	03.150	10
1A005951	03.120	22	1A015119	03.100	3	296141	02.140	5
1A005955	03.120	8	1A015201	03.330	25	2A000097	03.170	49
1A006243	03.120	6	1A015236	03.190	22	2A000216	03.230	14
1A006655	03.030	3	1A0152720G	03.150	2	2A000224	03.170	30
1A006656	03.030	2	1A0152720H	03.150	2	2A000225	03.170	27
1A006659	03.120	25	1A0152720L	03.150	2	2A000226	03.170	29
1A006680G	03.160	7	1A0152720M	03.150	2	2A000241	03.170	14
1A006680N	03.160	7	1A015490	03.190	20	2A000376	03.230	30
1A006680V	03.160	7	1A015498	03.100	16	2A000378	03.230	15
1A006690G	03.160	8	1A015607R	03.100	5	2A000384	03.230	39
1A006690N	03.160	8	1A015612	03.120	3	2A000385	03.230	38
1A006690V	03.160	8	1A015613	03.120	29	2A000418	03.230	4
1A006716	03.090	9	1A015819	03.190	29	2A000467	03.170	41
1A006861	03.120	18	1A016330	03.120	5	2A000527	03.120	26
1A0068960B	03.160	4	1A016442	03.190	37	2A000529	03.230	7
1A0068960G	03.160	4	1A016442	03.190	40	2A000565	03.090	1
1A0068960R	03.160	4	1A016500	03.300	1	2A000579	03.120	19
1A007917E1	03.160	2	1A016645	03.030	22	2A000591	03.170	2
1A007917E2	03.160	2	1A016739	03.190	39	2A000631	03.230	34
1A007917E3	03.160	2	1A016844	03.120	2	2A000633	03.190	5
1A007917E4	03.160	2	1A017002	03.270	1	2A000638	03.230	5
1A007917E5	03.160	2	1A017035	03.120	9	2A000741	03.230	2
1A008014	03.160	1	1A017175E1	03.160	5	2A000774	03.230	9
1A008090	03.060	11	1A017175E2	03.160	5	2A000812	03.230	19
1A008102	03.030	17	1A017175E3	03.160	5	2A000813	03.230	22
1A008103	03.030	18	1A017175E4	03.160	5	2A000816	03.230	23
1A008104	03.030	19	1A017175E5	03.160	5	2A000817	03.230	25
1A008256	03.030	16	1A017488	03.120	12	2A000818	03.230	20
1A008291	03.190	24	1A017540	03.120	21	2A000823	03.170	46
1A008325	03.190	23	1A017659	03.060	5	2A000823	03.350	22
1A008533	03.190	21	1A017660	03.060	2	2A000832	03.170	28
1A008566	03.190	32	1A0177125	03.010	1	2A000838	03.230	35
1A008933	03.150	7	1A017725	03.100	4	2A000901	03.230	41

Code	Nr. der Tafel	Pos.	Code	Nr. der Tafel	Pos.	Code	Nr. der Tafel	Pos.
2A000926	03.170	36	2B004403	04.040	5	2B005327000NV	02.030	3
2A000938	03.170	22	2B004406	04.040	9	2B005327000Q4	02.030	3
2A000947	03.180	24	2B004407	04.040	10	2B005327000YR6	02.030	3
2A000948	03.180	25	2B004410	04.040	14	2B005327000YV2	02.030	3
2A000968	03.230	1	2B004411	04.040	15	2B005328	02.030	2
2A000969	03.230	6	2B004412	04.040	16	2B005331	06.020	2
2A000981	03.170	44	2B004413	04.040	18	2B005332	06.020	1
2A000988	03.180	18	2B004414	04.040	17	2B005352	02.140	1
2A000989	03.180	20	2B004420	04.040	11	2B005353	02.140	2
2A000991	03.170	13	2B004422	04.040	13	2B005354	02.140	6
2A000998	03.180	26	2B004442	05.020	19	2B005373	06.050	15
2A001002	03.180	5	2B004460	03.050	4	2B005374	06.050	14
2A001004	03.230	10	2B004560	03.020	19	2B005375	06.050	17
2A001006	03.170	18	2B004560	06.050	2	2B005376	06.050	16
2A001008	03.230	16	2B004591	04.080	1	2B005379	06.030	32
2A001011	03.180	17	2B004647	07.010	1	2B005413	01.040	16
2A001013	03.170	25	2B004655	02.030	13	2B005414	01.040	15
2A001013	03.180	27	2B004656	02.030	16	2B005442	02.130	4
2A001018	03.170	24	2B004657	02.030	15	2B005443	02.130	1
2A001022	03.170	12	2B004670	03.020	1	2B005445	03.196	2
2A001025	03.170	26	2B004675	01.010	6	2B005451	02.150	2
2A001035R	03.230	28	2B004693	05.020	1	2B005452	08.020	12
2A001047	03.170	13	2B004702	01.050	3	2B005453	02.050	7
2A001050	03.170	50	2B004704	03.020	15	2B005454	08.020	11
2A001054	03.230	24	2B004720	07.030	1	2B005455	08.020	2
2A001132	03.170	8	2B004721	07.030	5	2B005457000YE9	08.010	2
2A001139	03.170	17	2B004748	04.040	2	2B005457000YR8	08.010	2
2B000215	07.010	14	2B004749	04.040	1	2B005462	02.090	10
2B000219	09.010	13	2B004770	06.040	2	2B005463	02.090	5
2B000276	06.050	20	2B004771	03.330	20	2B005464	02.090	3
2B000404	03.350	2	2B004778	05.010	5	2B005467	02.090	11
2B000508	06.030	24	2B004798	07.020	1	2B005486	02.090	7
2B000525	06.040	1	2B004821	03.020	12	2B005508	02.050	8
2B001138	03.170	53	2B004845	06.030	9	2B005510	02.050	9
2B001230	01.010	19	2B004944	07.010	10	2B005511	02.050	10
2B001278	05.020	6	2B004959	03.050	5	2B005513	01.010	25
2B001311	03.350	3	2B004963	07.020	25	2B005528	01.040	2
2B001956	05.020	18	2B004991	09.020	5	2B005529	01.040	1
2B002130	06.030	30	2B005012	03.350	1	2B005530	02.030	4
2B002171	03.350	25	2B005033000YE9	01.010	1	2B005537	03.330	18
2B002187	02.050	6	2B005033000YR8	01.010	1	2B005579	02.170	1
2B002200	03.350	13	2B005039	01.010	14	2B005589	06.030	18
2B002225	01.020	14	2B005075	09.010	10	2B005590	11.020	18
2B002416	05.010	4	2B005089	01.050	2	2B005623	01.010	24
2B002416	05.020	17	2B005099000C2	02.120	1	2B005624	06.030	23
2B002418	03.060	17	2B005099000C3	02.120	1	2B005628	01.020	15
2B002488	07.020	22	2B005099000C4	02.120	1	2B005631	01.020	16
2B002535	03.350	27	2B0051099	03.020	17	2B005634	06.030	1
2B002536	03.350	17	2B005112	09.010	1	2B005641000C2	02.120	5
2B002571	02.030	9	2B005119	09.010	8	2B005641000C3	02.120	5
2B002699	03.340	1	2B005142	09.020	9	2B005641000C4	02.120	5
2B002807	03.350	21	2B005143	01.020	2	2B005651	02.170	17
2B002937	01.040	9	2B005143	06.050	7	2B005664	02.050	1
2B003052	03.090	6	2B005157	03.320	9	2B005680	02.170	14
2B003105	03.196	4	2B005158	03.320	8	2B005681	02.170	4
2B003212	01.050	4	2B005159	03.320	6	2B005683	07.020	5
2B003422	01.040	14	2B005175	03.330	15	2B005685	06.030	25
2B003422	01.050	5	2B005181	02.100	1	2B005686	01.010	23
2B004088	01.030	18	2B005182	02.100	5	2B005694	02.150	1
2B004088	02.130	7	2B005184	02.170	19	2B005699	01.040	12
2B004163	07.020	6	2B005243	09.020	8	2B005736	06.020	3
2B004276	02.170	20	2B005257	07.020	19	2B005763	01.040	11
2B004280	09.020	12	2B005287	06.050	9	2B005779	02.160	2
2B004302	05.010	17	2B005291	01.050	12	2B005804	01.010	26
2B004305	05.010	12	2B005292000YE9	02.160	1	2B005808	01.040	4
2B004338	03.340	2	2B005292000YR8	02.160	1	2B005809	01.040	5
2B004396R	05.020	16	2B005327	02.030	3	2B005819	02.050	5

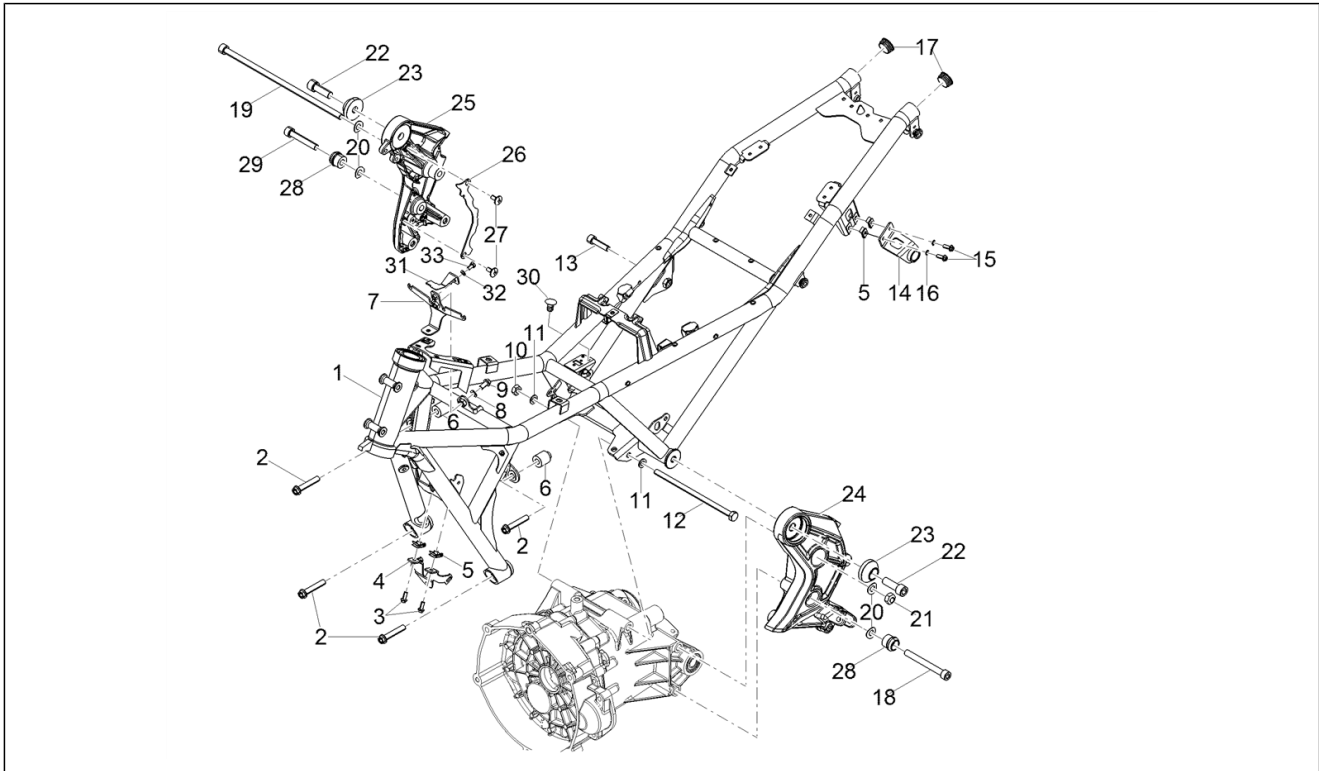
Code	Nr. der Tafel	Pos.	Code	Nr. der Tafel	Pos.	Code	Nr. der Tafel	Pos.
2B005846	02.130	5	2B007509	01.010	4	2H004281000Q4	01.040	12
2B005849	01.010	28	2B007532	03.330	6	2H004282000Q4	01.040	11
2B005851	07.030	2	2B007535	03.330	16	2H004289	02.190	8
2B005856	01.050	8	2B007560	01.030	3	2H004290	02.190	9
2B005927	07.020	18	2B007563	08.010	15	2H004291	02.190	10
2B005945	02.030	7	2B007620	01.030	9	2H004292	02.190	11
2B005999	01.020	8	2B007640	03.330	2	2H004293	02.190	12
2B006062	02.090	1	2B007641	03.330	3	2H004294	02.190	13
2B006063	02.090	2	2B007737	01.010	7	2H004377000G12	02.090	1
2B006064	03.350	26	2B007810	07.030	12	2H004378000G12	02.090	2
2B006066	05.020	19	2B007821	03.330	10	2H004382000YV2	02.100	1
2B006067	05.010	17	2B007846	05.010	11	2H004383000YV2	02.100	5
2B006083	03.090	5	2B007846	05.020	12	2H004384	02.190	3
2B006084	03.090	4	2B007930	09.020	14	2H004385	02.190	4
2B006088R	03.350	14	2B007936	02.030	12	2H004386	02.190	5
2B006091	01.040	13	2B007979	03.050	12	2Q000451QK	02.180	1
2B006100	04.040	3	2B008574	03.330	17	2R000248	06.040	7
2B006101	04.040	7	2D000163	07.020	15	484993	03.030	20
2B006102	04.040	6	2D000325	06.030	10	484993	03.150	11
2B006103	04.040	8	2D000339	07.020	20	485693	03.030	7
2B006104	04.040	12	2D000415	08.010	1	485693	03.190	27
2B006105	04.040	4	2D000418	08.030	14	575268	02.030	14
2B006110	03.350	20	2D000438	08.010	14	576546	09.010	7
2B006111	06.010	1	2D000438	08.030	1	581957	05.010	22
2B0061249	03.196	9	2D000439	08.010	13	581957	05.020	25
2B006168	01.040	10	2D000439	08.030	3	622236	03.050	13
2B006185	03.050	20	2D000451	09.010	5	638733	11.030	7
2B006203	03.196	8	2D000454	11.010	8	640698	11.010	12
2B006204	03.196	7	2D000493	11.030	6	641652	06.050	19
2B006205	03.196	10	2D000494	11.020	6	641901	11.010	4
2B006207	07.020	8	2D000496	02.170	10	642248	11.020	4
2B006208	07.020	17	2D000497	07.030	8	648708	05.020	3
2B006226	01.020	19	2D000504	07.020	21	654174	07.030	9
2B006272	02.180	2	2D000528	07.020	16	656003	09.010	6
2B006287	02.190	1	2D000530	01.030	5	656429000C	01.020	18
2B006306	07.030	7	2D000619	08.020	13	656509000C	01.020	17
2B006307	07.030	6	2D000629	11.010	1	658837	01.010	8
2B006308	07.030	3	2D000629	11.020	1	658837	03.060	18
2B006398	01.010	2	2D000629	11.030	15	658837	03.170	4
2B006398	06.020	6	2D000654	07.020	14	658837	11.010	10
2B006401	03.330	14	2D000701	06.050	8	825597	03.100	2
2B006410	02.030	8	2H003127	02.190	3	825597	03.150	8
2B006501	07.010	13	2H003128	02.190	4	825694	03.120	23
2B0065021	01.050	1	2H003185	02.190	5	825725	03.300	4
2B006753	05.010	17	2H003191000NV	02.100	1	830061	03.060	9
2B006754	05.020	19	2H003192000NV	02.100	5	831135	03.030	11
2B0068275	03.340	3	2H004121	02.190	2	834764	03.170	19
2B006860R	03.350	28	2H004264000NV	02.090	1	843213	01.030	15
2B007243	03.350	29	2H004265000NV	02.090	2	847906	03.160	3
2B007257	03.350	10	2H004268000NV	02.030	1	849308	03.180	6
2B007319	05.020	13	2H004268000Q4	02.030	1	849309	03.180	19
2B007320	05.020	22	2H004268000YR6	02.030	1	849310	03.180	21
2B007321	05.020	9	2H004268000YV2	02.030	1	849396	03.180	14
2B007323	05.020	20	2H004269000NV	02.030	2	849424	03.180	8
2B007324	05.020	11	2H004269000Q4	02.030	2	852090	03.330	11
2B007325	05.020	10	2H004269000YR6	02.030	2	85256R	08.030	11
2B007328	11.030	5	2H004269000YV2	02.030	2	854827	07.020	4
2B007331	05.010	16	2H004270	02.190	6	856050	06.010	5
2B007332	05.010	15	2H004271	02.190	7	856050	07.030	4
2B007333	05.010	14	2H004275000Z1	02.090	1	856063	09.020	16
2B007335	05.010	10	2H004275000Z3	02.090	1	856180	02.170	11
2B007388	01.030	1	2H004276000Z1	02.090	2	856855	07.020	9
2B007390	09.020	13	2H004276000Z3	02.090	2	857045	03.320	3
2B007391	01.010	31	2H004279000Z2	02.100	1	857046	03.320	11
2B007401	07.030	10	2H004279000Z4	02.100	1	857047	03.320	4
2B007402	07.030	11	2H004280000Z2	02.100	5	857181	03.320	7
2B007418	03.330	1	2H004280000Z4	02.100	5	857250	03.170	23

Code	Nr. der Tafel	Pos.	Code	Nr. der Tafel	Pos.	Code	Nr. der Tafel	Pos.
857494	03.170	54	AP8102349	03.196	1	AP8123721	07.020	2
858423	06.010	4	AP8102375	01.040	8	AP8124718	08.030	8
858941	01.030	6	AP8102375	02.090	9	AP8124936	11.010	3
859777	05.010	23	AP8102375	02.130	8	AP8125687	05.020	2
859777	05.020	26	AP8102375	02.140	4	AP8125773	05.010	7
859792	05.010	20	AP8102375	08.020	8	AP8125777	05.010	8
859792	05.020	23	AP8102375	09.020	6	AP8125842	05.010	18
859946	06.030	6	AP8102378	09.010	11	AP8127461	02.090	8
859949	07.020	12	AP8102381	08.030	9	AP8133945	06.050	1
860651	08.010	9	AP8102401	03.060	10	AP8134276	01.020	3
860898	01.050	6	AP8102520	03.050	3	AP8134378	03.330	21
860900	01.050	11	AP8102520	09.020	19	AP8134451	01.020	9
871640	03.100	12	AP8102524	01.030	14	AP8144007	03.020	3
872230	03.060	13	AP8102600	01.010	30	AP8144007	06.030	14
872264	03.060	12	AP8102600	01.050	10	AP8144081	07.020	24
873928	03.170	16	AP8102600	03.340	4	AP8144158	09.010	15
873928	03.180	2	AP8102671	01.040	18	AP8144222	07.020	3
873928	03.230	12	AP8102738	09.020	10	AP8144328	09.010	2
873931	03.180	29	AP8102764	09.020	17	AP8144558	03.330	23
874557	03.030	4	AP8102786	03.320	5	AP8144563	08.020	7
876879	03.330	19	AP8104329	03.050	11	AP8144563	11.020	13
878872	03.120	1	AP8104728	05.010	24	AP8144616	08.020	6
878872	03.120	4	AP8104728	05.020	27	AP8144616	11.020	12
883688	05.010	6	AP8110077	07.010	4	AP8150015	06.050	3
884043	03.330	4	AP8110109	05.020	8	AP8150018	03.020	4
886184	01.020	1	AP8110110	01.020	11	AP8150018	06.030	13
886185	01.020	12	AP8112811	11.030	11	AP8150045	03.050	8
886820	02.170	16	AP8113004	06.050	10	AP8150045	03.060	15
886861	03.050	14	AP8113081	06.030	15	AP8150045	07.020	10
886867	03.050	10	AP8113082	06.030	16	AP8150048	01.010	13
887003	03.270	5	AP8113288	06.030	34	AP8150048	04.080	2
887015	03.060	16	AP8114502	03.196	6	AP8150049	01.010	29
887282	03.050	7	AP8117003	01.040	19	AP8150114	02.120	3
887282	03.060	14	AP8117200	11.030	19	AP8150171	02.170	9
887448	05.020	15	AP8120001	01.040	7	AP8150182	06.030	26
887831	07.010	7	AP8120030	02.030	11	AP8150204	08.030	6
887832	07.010	9	AP8120030	03.050	16	AP8150210	01.010	20
890760	11.020	16	AP8120030	06.050	4	AP8150236	07.010	2
894603	11.030	8	AP8120178	06.030	17	AP8150248	01.030	7
894704	05.010	25	AP8120615	03.050	1	AP8150248	11.020	3
894704	05.020	29	AP8120822	06.030	11	AP8150255	08.020	4
895328	03.020	2	AP8120831	01.020	4	AP8150285	04.040	19
895328	06.030	19	AP8120912	03.020	10	AP8150287	01.010	18
895481	11.020	9	AP8120912	06.030	2	AP8150292	01.030	10
896174	08.020	10	AP8120952	09.010	12	AP8150351	02.170	8
896346	06.010	2	AP8121032	07.020	11	AP8150362	03.050	6
896715	11.020	10	AP8121080	07.020	23	AP8150378	01.020	21
898397	03.020	16	AP8121133	01.020	10	AP8150378	02.050	13
899105	02.170	5	AP8121155	04.080	5	AP8150378	03.330	5
899106	02.170	7	AP8121205	07.010	12	AP8150378	08.010	11
899107	02.170	6	AP8121221	03.020	9	AP8150382	11.030	2
899543	02.170	18	AP8121221	06.030	3	AP8150412	01.010	12
967363	03.020	5	AP8121332	03.330	22	AP8150413	02.030	5
967363	06.030	12	AP8121420	02.170	12	AP8150413	02.150	4
974162	03.180	12	AP8121421	09.010	3	AP8150421	02.090	4
974165	03.180	15	AP8121504	06.030	29	AP8150430	11.010	5
974165	03.230	21	AP8121509	03.020	6	AP8150453	02.170	2
976168	03.030	9	AP8121509	06.030	20	AP8150454	02.170	3
976168	03.190	26	AP8121520	07.020	13	AP8150462	03.020	7
976591	03.090	8	AP8121567	01.020	7	AP8150462	06.030	5
97729R	03.290	3	AP8121615	04.080	3	AP8150491	05.010	19
978301	01.010	17	AP8121882	06.050	18	AP8150491	05.020	28
978415	02.170	13	AP8121927	06.030	7	AP8150500	01.010	27
978498	05.010	3	AP8123641	07.010	3	AP8150500	01.040	6
978516	05.010	9	AP8123642	07.010	6	AP8150500	02.090	6
AP8101586	09.020	11	AP8123643	07.010	8	AP8150500	02.130	6
AP8101594	06.030	31	AP8123644	07.010	5	AP8150500	02.160	3

Code	Nr. der Tafel	Pos.	Code	Nr. der Tafel	Pos.	Code	Nr. der Tafel	Pos.
AP8150500	03.196	5	AP8220150	11.030	3	GU05239330	03.170	39
AP8150500	05.020	21	AP8220162	02.100	3	GU05351230	03.350	8
AP8150500	06.030	8	AP8220283	11.020	8	GU05781630	04.040	20
AP8150500	08.020	9	AP8221023	03.050	17	GU10034100	03.120	28
AP8150501	08.030	13	AP8221023	06.050	5	GU10528900	03.170	7
AP8150501	08.030	7	AP8221128	02.030	10	GU10528900	03.190	9
AP8150509	08.020	3	AP8221204	01.030	13	GU12022600	03.170	9
AP8150509	08.030	4	AP8221211	01.030	12	GU12154200	03.190	2
AP8150509	11.030	1	AP8221228	08.010	3	GU12351100	03.350	12
AP8150512	08.020	1	AP8221277	01.020	6	GU14085900	03.230	18
AP8150522	08.030	12	AP8224462	11.020	7	GU14086100	03.230	32
AP8152001	01.030	11	AP8224470	03.020	8	GU14217901	01.010	16
AP8152108	06.030	28	AP8224470	06.030	4	GU14217901	03.230	8
AP8152128	06.030	27	AP9100053	08.010	5	GU14609650	11.030	18
AP8152137	02.050	2	B005629	11.020	14	GU14615901	03.350	24
AP8152181	02.050	14	B013037	03.230	29	GU14615901	08.010	8
AP8152181	06.030	33	B013552	03.120	16	GU14616150	05.010	13
AP8152267	03.090	12	B013608	03.170	15	GU14616150	05.020	14
AP8152270	01.030	8	B013608	03.180	3	GU18144350	03.190	14
AP8152273	06.050	12	B013608	03.230	13	GU19002020	03.030	8
AP8152277	01.010	33	B015040	03.180	11	GU19002020	03.170	5
AP8152277	03.170	51	B015563	03.300	3	GU19002020	03.270	4
AP8152278	01.010	15	B015598	03.190	38	GU19003800	03.030	6
AP8152278	01.010	3	B018242	09.020	3	GU19003800	03.190	6
AP8152278	01.020	20	B043046	01.030	2	GU19015020	03.030	12
AP8152278	08.010	4	B063956	03.170	38	GU19018920	03.030	10
AP8152278	09.020	2	B063977	03.230	26	GU19018920	03.190	25
AP8152279	01.030	17	B064023	02.120	2	GU19021360	03.150	9
AP8152280	11.010	2	B064079	03.170	11	GU19058021	03.120	7
AP8152281	09.010	4	B064105	06.010	3	GU19067700	03.230	3
AP8152281	11.010	11	B064112	03.170	34	GU19351100	03.350	16
AP8152285	01.010	9	B064113	03.170	33	GU19547000	01.050	7
AP8152285	11.010	9	B064290	05.020	4	GU27066460	03.160	10
AP8152288	06.040	3	B064304	03.350	15	GU27152885	03.190	1
AP8152291	03.330	12	CM002912	03.196	11	GU31003766	03.170	6
AP8152299	02.030	6	CM002912	03.320	10	GU31003766	03.190	10
AP8152299	08.030	5	CM179008	09.020	15	GU31003766	03.350	5
AP8152300	03.330	24	CM180702	01.040	3	GU31159050	03.190	13
AP8152301	04.080	6	CM225607	11.030	10	GU31544181	06.040	4
AP8152302	01.040	17	CM225615	11.030	9	GU31659181	06.040	6
AP8152302	01.050	9	CM225720	11.030	13	GU31659281	06.040	5
AP8152302	02.100	2	CM225730	11.030	12	GU32441210	01.020	13
AP8152302	02.130	2	CM226902	03.196	3	GU32474710	08.030	10
AP8152302	02.140	3	CM258302	03.060	3	GU32577910	02.050	4
AP8152302	09.020	1	CM277103	11.010	6	GU32578410	02.050	3
AP8152302	11.020	11	CM301801	11.030	4	GU37359005	03.350	9
AP8152306	01.030	4	GU01528930	03.170	45	GU90271014	03.170	40
AP8152306	02.160	5	GU01528930	03.350	23	GU90271022	03.170	20
AP8152306	06.050	13	GU01528930	03.350	6	GU90272047	05.020	7
AP8152306	11.020	5	GU01612190	05.010	1	GU90353009	03.100	13
AP8152329	02.150	3	GU01659130	06.020	4	GU90353014	03.170	31
AP8152329	03.050	9	GU01659131	06.020	5	GU90401424	03.170	42
AP8152329	06.050	6	GU03013800	01.010	32	GU90413850	03.350	11
AP8152329	09.020	7	GU03013800	03.060	6	GU90706170	03.230	31
AP8152384	07.010	11	GU03256800	03.020	14	GU90706188	03.350	4
AP8152409	01.020	5	GU04355100	03.350	19	GU90706203	03.170	10
AP8152411	04.080	4	GU04355101	03.350	19	GU90706444	03.190	4
AP8152486	07.020	7	GU04355102	03.350	19	GU90706584	03.350	30
AP8161054	03.050	2	GU04355103	03.350	19	GU90706958	03.350	18
AP8163165	08.010	7	GU04355104	03.350	19	GU92201226	03.180	28
AP8201727	01.030	16	GU04355105	03.350	19	GU92201226	03.230	11
AP8201727	03.050	19	GU04355106	03.350	19	GU92201822	03.180	1
AP8201727	11.030	14	GU05217630	03.230	17	GU92204220	05.020	5
AP8201755	02.100	4	GU05234230	03.170	32	GU92296723	03.190	19
AP8201755	02.130	3	GU05235531	03.170	21	GU92606206	06.030	22
AP8213057	06.030	35	GU05238231	03.170	37	GU92606508	03.230	36
AP8220150	08.020	5	GU05238431	03.170	35	GU92609206	03.020	13

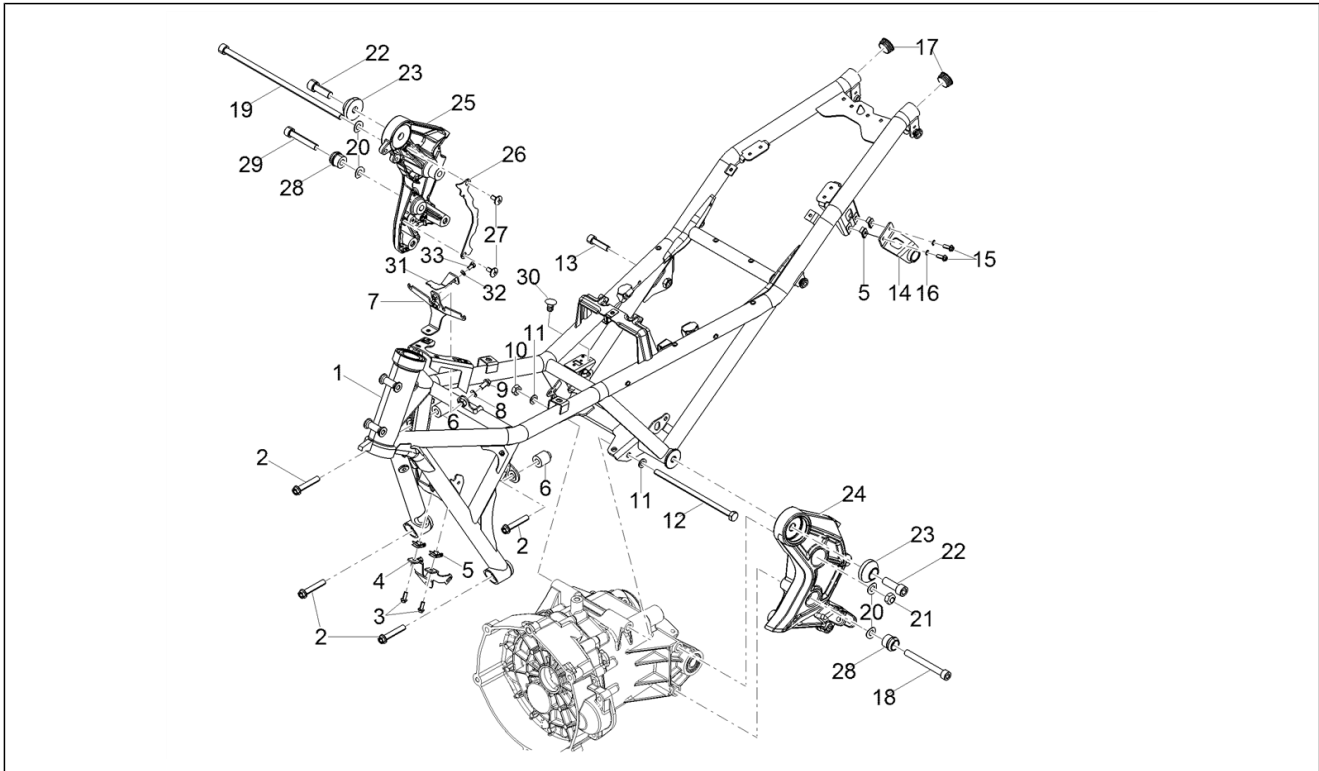
Code	Nr. der Tafel	Pos.
GU92630510	01.010	10
GU92630510	01.010	21
GU92630707	03.020	18
GU93304390	09.020	18
GU94321079	03.190	15
GU94321105	03.230	33
GU95005325	05.010	2
GU95008206	03.170	52
GU95008208	01.020	22
GU95008208	03.290	2
GU95008210	01.010	11
GU95008210	01.030	19
GU95100309	03.190	36
GU95129115	03.120	11
GU95500222	03.230	37
GU98350460	08.010	6
GU98370616	02.050	11
GU98370625	02.170	15
GU98612216	03.320	1
GU98622322	03.060	7
GU98680225	11.020	2
GU98680440	03.170	3
GU98680450	03.020	11
GU98680450	06.030	21
GU98682322	03.050	18
GU98682325	03.030	23
GU98682325	03.270	2
GU98682330	03.270	3
GU98682330	03.300	2
GU98682430	02.160	4
GU98682435	03.290	1
GU98682635	01.010	22
GU98692318	08.010	12
GU98692318	08.030	2
GU98692325	02.050	12
GU98692325	08.010	10
GU98882316	03.120	10

Einheit	Rahmen
Code	01.010
Beschreibung	Rahmen
Inspektion	1



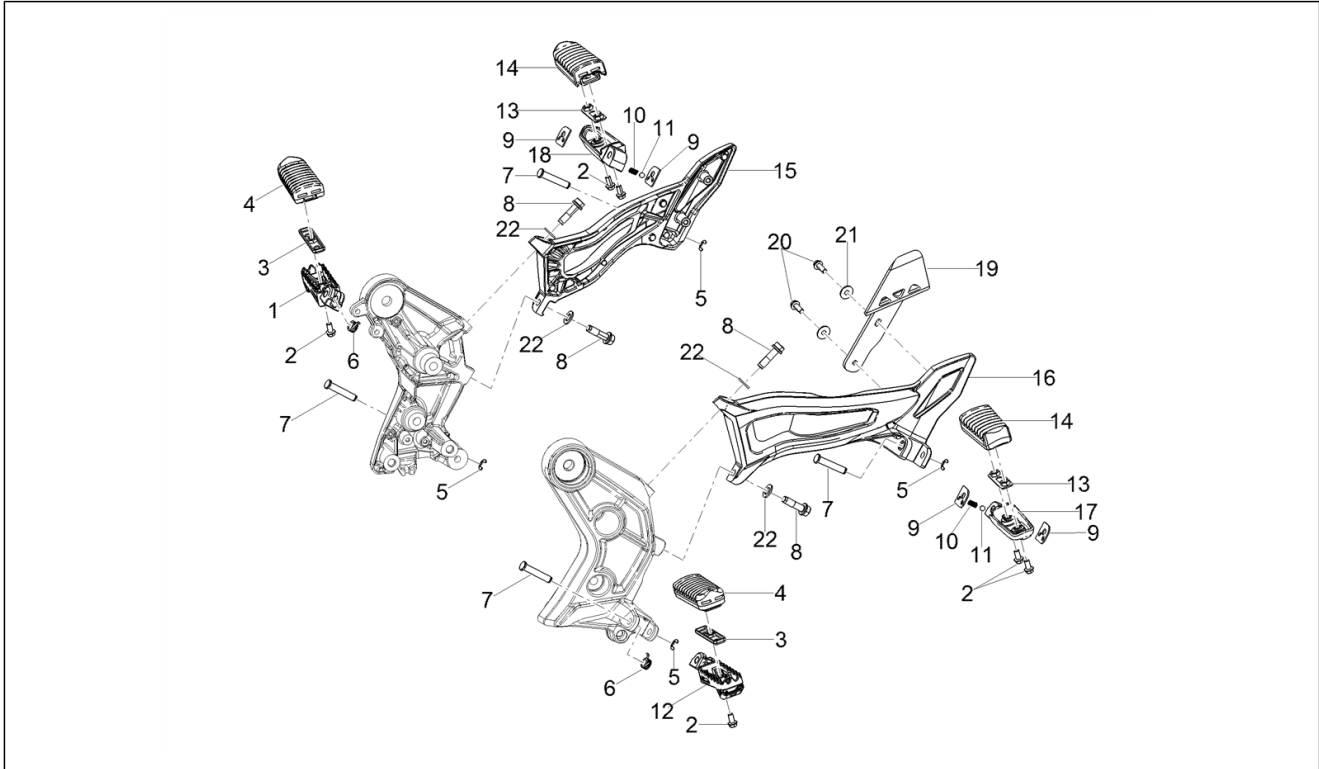
Pos.	Code	Beschreibung	Menge	Varianten
1	2B005033000YR8	Rahmen, rot	1	Farbe:Gelb Mojave[Z1] Rot Uluru[Z3]
1	2B005033000YE9	Rahmen l.	1	Farbe:Centenario[YV2] Schwarz Etna[NV]
2	2B006398	TE Schr. m. Flansch M10X1.25X55	4	
3	AP8152278	TE Schr. m. Flansch M6x16	2	
4	2B007509	Haltebügel Spannungsregler	1	
5	254485	Federplättchen M6	4	
6	2B004675	Buchse	2	
7	2B007737	Complete coil support bracket	1	
8	658837	Gewellte Sprengscheibe D15 F8,4 S1,5 - INOX	1	
9	AP8152285	TE Schr. m. Flansch	1	
10	GU92630510	Mutter M10x1,5	1	
11	GU95008210	Ausgleichscheibe 10,2X18X2	2	
12	AP8150412	Sechskantschraube	1	
13	AP8150048	TCEI Schraube	1	
14	2B005039	Haltebügel Schalld.	1	
15	AP8152278	TE Schr. m. Flansch M6x16	2	
16	GU14217901	Scheibe 6,4x10x0,7	2	
17	978301	Deckel	2	
18	AP8150287	TCEI Schraube M10x90	2	
19	2B001230	Bolzen 278X10	1	
20	AP8150210	Gebogene Sprengscheibe *	4	
21	GU92630510	Mutter M10x1,5	1	
22	GU98682635	Schraube	2	
23	2B005686	Buchse	2	
24	2B005623	Links Platte	1	
25	2B005513	Rechts Platte	1	
26	2B005804	Deckel	1	
27	AP8150500	TBEI Schraube M5x9 NERINOX	2	

Einheit	Rahmen
Code	01.010
Beschreibung	Rahmen
Inspektion	1



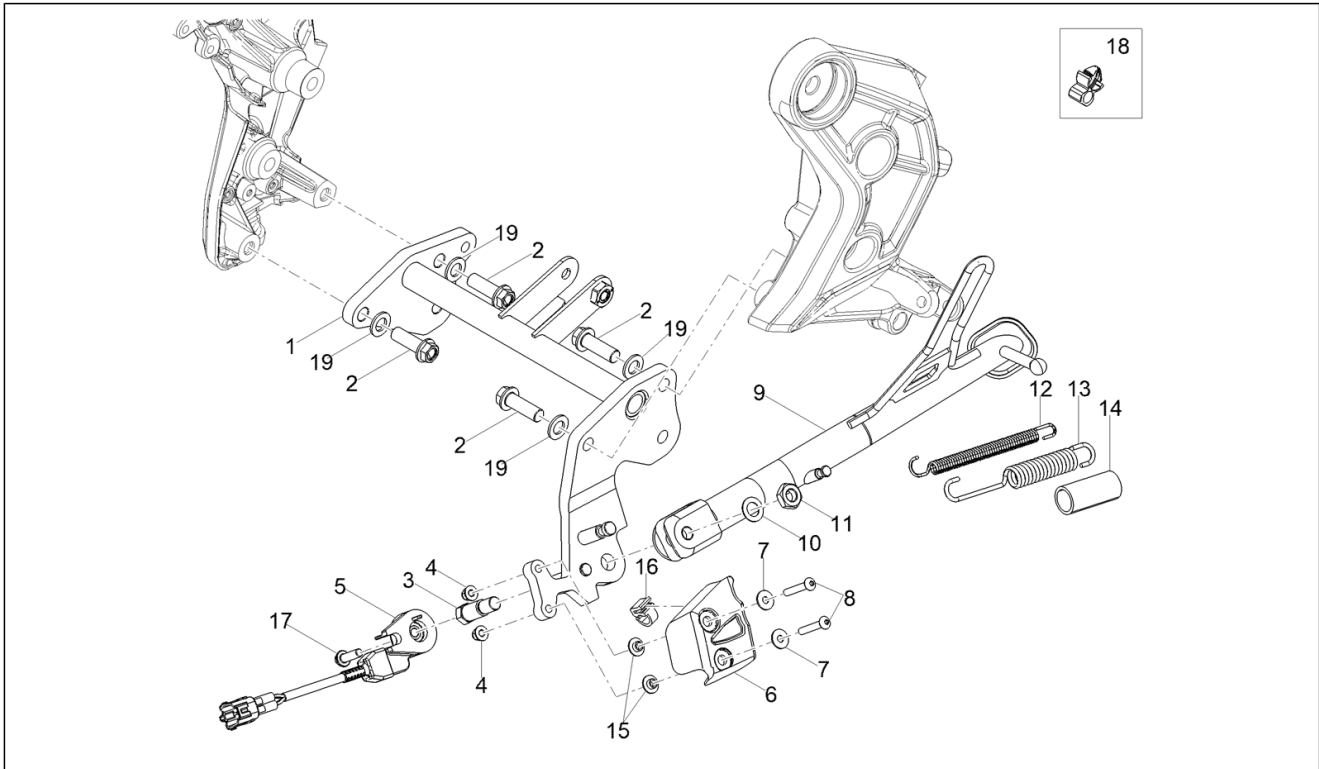
Pos.	Code	Beschreibung	Menge	Varianten
28	2B005849	Buchse	2	
29	AP8150049	Schraube M10x60	1	
30	AP8102600	Deckel	1	
31	2B007391	Ventilhaltebügel	1	
32	GU03013800	Ausgleichscheibe 6,4x12	1	
33	AP8152277	Sechskantschraube geflanscht M6x12	1	

Einheit	Rahmen
Code	01.020
Beschreibung	Fussrasten
Inspektion	1



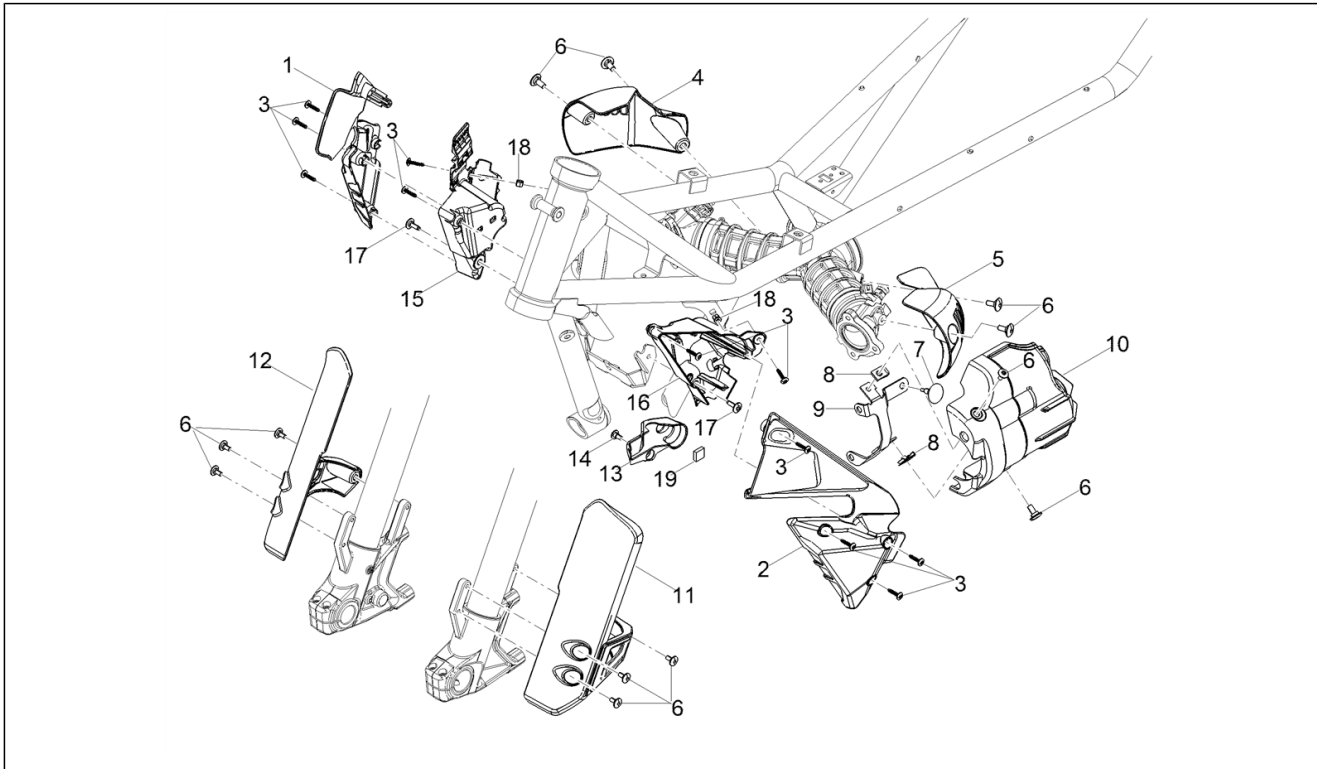
Pos.	Code	Beschreibung	Menge	Varianten
1	886184	Fussrasten r.	1	
2	2B005143	TE Schr. m. Flansch M6x12	2	
3	AP8134276	Platte	2	
4	AP8120831	Gummi Trittbrett	2	
5	AP8152409	Sperring	4	
6	AP8221277	Rückholfeder	2	
7	AP8121567	Bolzen	4	
8	2B005999	Schraube TCEI M8x30 vorimprägniert	4	
9	AP8134451	Fixierplatte	4	
10	AP8121133	Schraubenfederkompr.	2	
11	AP8110110	Kugel d.7	2	
12	886185	Fussrasten l.	1	
13	GU32441210	Platte	2	
14	2B002225	Gummiraste	1	
15	2B005628	Fußrasten-Halterung Beif. rechts	1	
16	2B005631	Fußrasten-Halterung Beif. links	1	
17	656509000C	Trittbrett Li	1	
18	656429000C	Trittbrett Re	1	
19	2B006226	Fersenschutz	1	
20	AP8152278	TE Schr. m. Flansch M6x16	2	
21	AP8150378	Ausgleichscheibe 6,4x18x2	2	
22	GU95008208	Ausgleichscheibe 8,4X15X1,5	4	

Einheit	Rahmen
Code	01.030
Beschreibung	Hauptständer
Inspektion	1



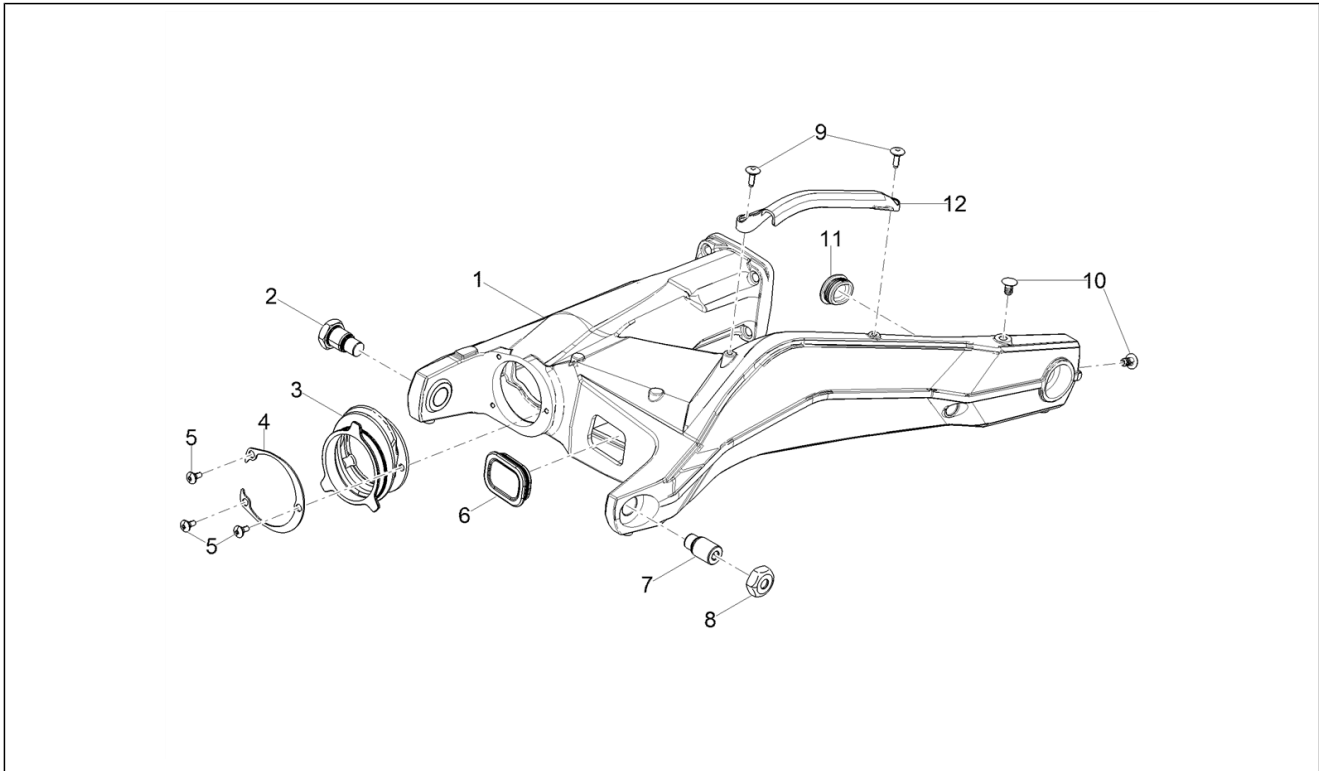
Pos.	Code	Beschreibung	Menge	Varianten
1	2B007388	Ständerhalterung	1	
2	B043046	Schraube TCEI M10X30 vorimprägniert	4	
3	2B007560	Ständerschraube	1	
4	AP8152306	Selbstsperrende Mutter M5	2	
5	2D000530	Schalter	1	
6	858941	Schutz	1	
7	AP8150248	Ausgleichscheibe 5,5x15x1,6	2	
8	AP8152270	TBEI Schraube M5x25	2	
9	2B007620	Seitenständer	1	
10	AP8150292	Gebogene Sprengscheibe *	1	
11	AP8152001	Mutter unten M10x1,25	1	
12	AP8221211	Rückholfeder Ständer	1	
13	AP8221204	Hauptständer Schraubenfeder	1	
14	AP8102524	Schutz f. Ständerfeder	1	
15	843213	T-Buchse	2	
16	AP8201727	Kabelführungs schw.	1	
17	AP8152279	TE Schr. m. Flansch M6x20	1	
18	2B004088	Kabelclip	2	
19	GU95008210	Ausgleichscheibe 10,2X18X2	4	

Einheit	Rahmen
Code	01.040
Beschreibung	Schutz
Inspektion	1



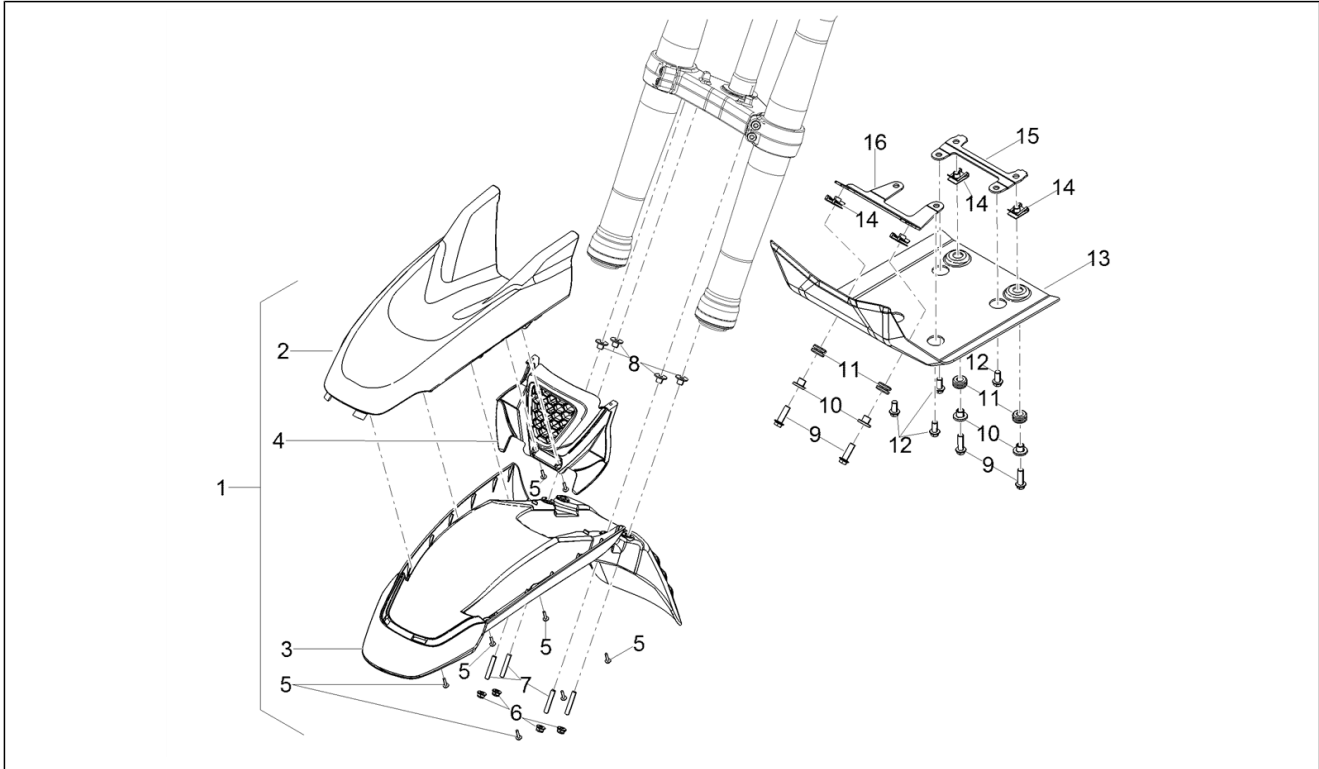
Pos.	Code	Beschreibung	Menge	Varianten
1	2B005529	Verkleidung Lenkrohr re	1	Farbe:Centenario[YV2] Schwarz Etna[NV] Gelb Mojave[Z1] Rot Uluru[Z3]
2	2B005528	Verkleidung Lenkrohr li	1	Farbe:Centenario[YV2] Schwarz Etna[NV] Gelb Mojave[Z1] Rot Uluru[Z3]
3	CM180702	Blechschaube	11	
4	2B005808	Einspritzdüsenabdeckung rechts	1	Farbe:Centenario[YV2] Schwarz Etna[NV] Gelb Mojave[Z1] Rot Uluru[Z3]
5	2B005809	Einspritzdüsenabdeckung links	1	Farbe:Centenario[YV2] Schwarz Etna[NV] Gelb Mojave[Z1] Rot Uluru[Z3]
6	AP8150500	TBEI Schraube M5x9 NERINOX	12	
7	AP8120001	Gummi	1	
8	AP8102375	Klammer M5	2	
9	2B002937	Haltebügel Abdeckung	1	
10	2B006168	Abdeckung anlassermotor	1	
11	2H004282000Q4	L. Stangenschutz	1	Farbe:Gelb Mojave[Z1] Rot Uluru[Z3] Technische Spezifikation:V85 TT Evocative[SP] Mit Aufkleber[D]
11	2B005763	Schaftschutz links	1	Farbe:Centenario[YV2] Unlackiert[GR] Schwarz Etna[NV] Technische Spezifikation:V85 TT[BASE]
12	2H004281000Q4	R. Stangenschutz	1	Technische Spezifikation:V85 TT Evocative[SP] Mit Aufkleber[D]
12	2B005699	Schaftschutz re	1	Farbe:Centenario[YV2] Unlackiert[GR] Schwarz Etna[NV] Technische Spezifikation:V85 TT[BASE]
13	2B006091	Abdeckung Verkabelung	1	
14	2B003422	Schraube TBEI M5x12 TORX vorimprägniert	1	
15	2B005414	Steckverbinderkasten DX	1	
16	2B005413	Steckverbinderkasten SX	1	
17	AP8152302	TBEI Schraube m.Flansch M5x12	2	
18	AP8102671	Kunststoffniet	2	
19	AP8117003	Klebeschwamm 15X5	1	

Einheit	Rahmen
Code	01.050
Beschreibung	Schwinge
Inspektion	1



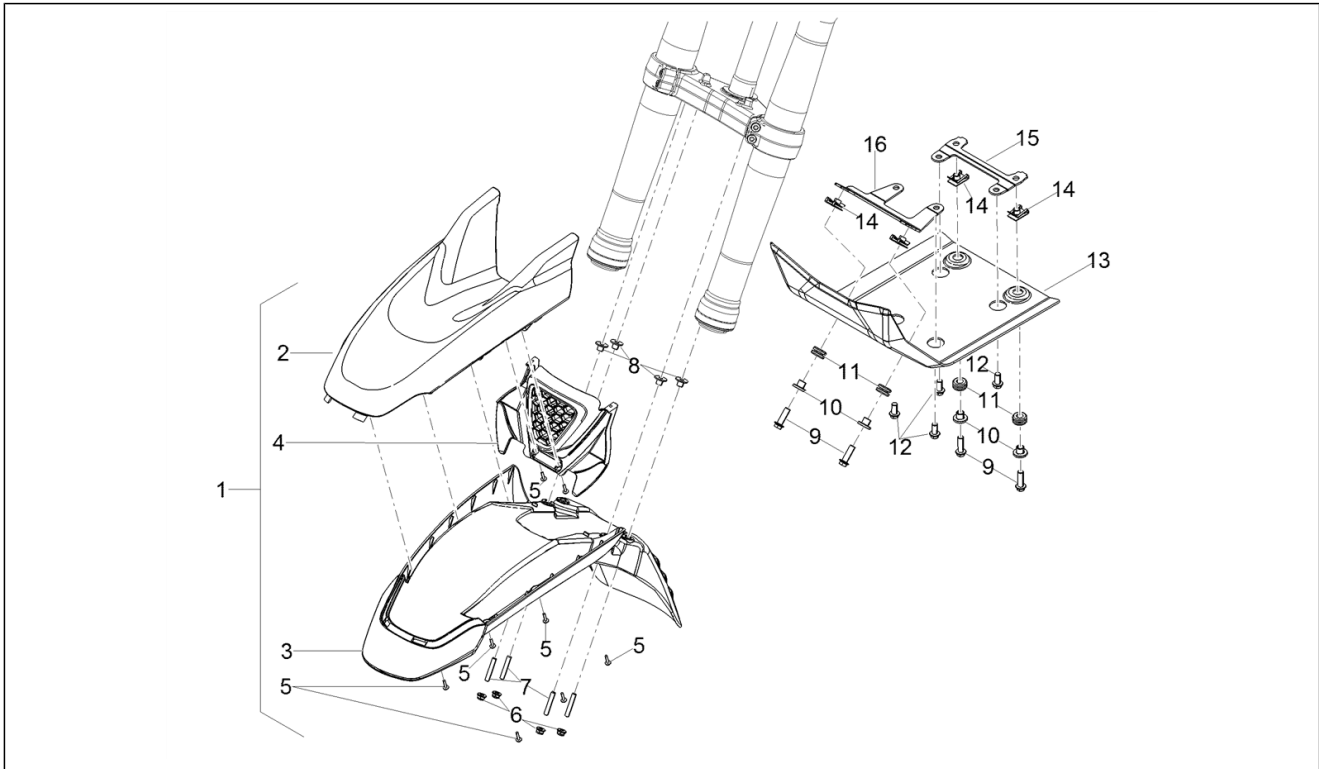
Pos.	Code	Beschreibung	Menge	Varianten
1	2B0065021	Schwinge	1	
2	2B005089	Bolzen	1	
3	2B004702	Gummibalg	1	
4	2B003212	Fixierplatte	1	
5	2B003422	Schraube TBEI M5x12 TORX vorimprägniert	3	
6	860898	Deckel	1	
7	GU19547000	Scheinwerferregulier	1	
8	2B005856	Bolzen Mutter	1	
9	AP8152302	TBEI Schraube m.Flansch M5x12	2	
10	AP8102600	Deckel	2	
11	860900	Deckel	1	
12	2B005291	Kabelführung	1	

Einheit	Aufbau
Code	02.030
Beschreibung	Vorderes Schutzblech-Stütze
Inspektion	1



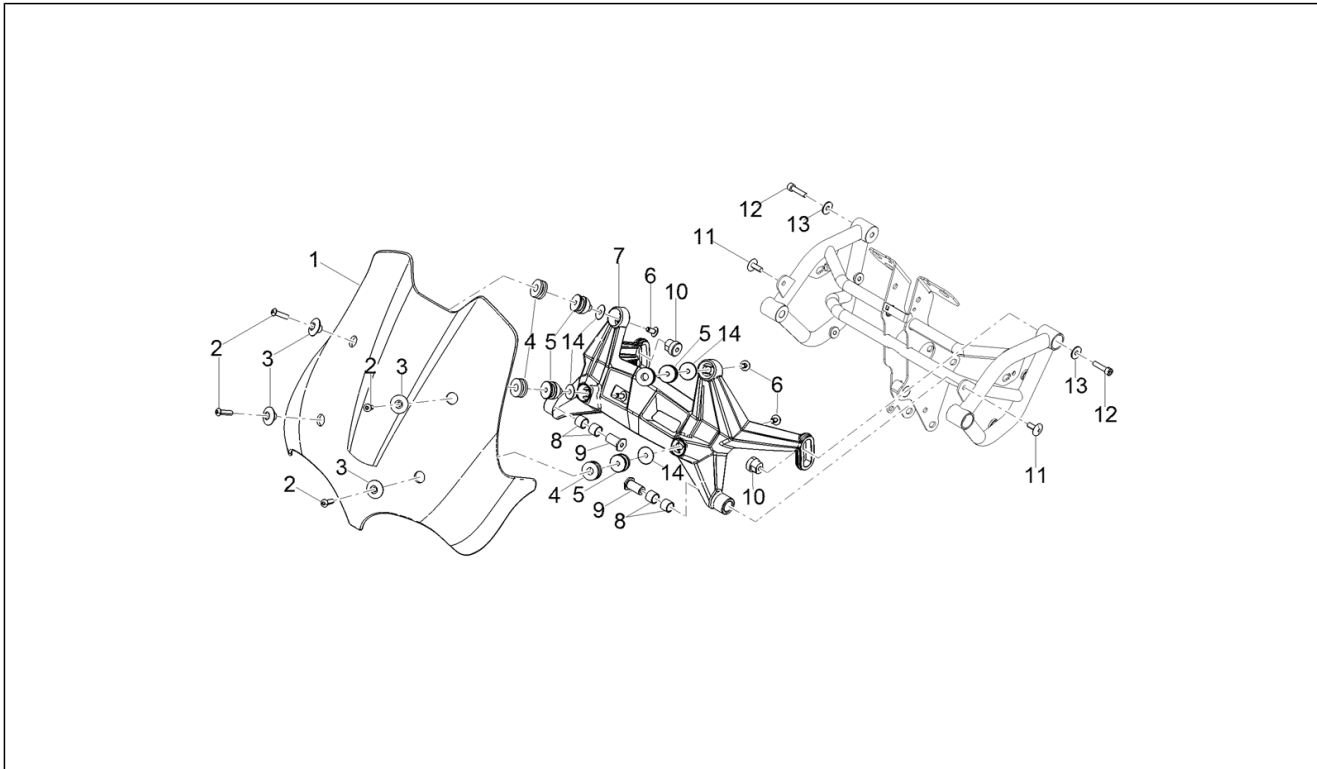
Pos.	Code	Beschreibung	Menge	Varianten
1	2H004268000NV	V. Schutzblech, schwarz	1	Farbe: Schwarz Etna[NV] Technische Spezifikation: Mit Aufkleber[D]
1	2H004268000Q4	V. Schutzblech, weiß	1	Farbe: Gelb Mojave[Z1] Technische Spezifikation: Mit Aufkleber[D]
1	2H004268000YV2	V. Schutzblech, grün	1	Farbe: Centenario[YV2] Technische Spezifikation: Mit Aufkleber[D]
1	2H004268000YR6	V. Schutzblech, rot	1	Farbe: Rot Uluru[Z3] Technische Spezifikation: Mit Aufkleber[D]
2	2H004269000NV	Verkleidung Kotflügel	1	Farbe: Schwarz Etna[NV] Technische Spezifikation: Mit Aufkleber[D]
2	2H004269000YV2	Verkleidung Kotflügel	1	Farbe: Centenario[YV2] Technische Spezifikation: Mit Aufkleber[D]
2	2H004269000Q4	Verkleidung Kotflügel	1	Farbe: Gelb Mojave[Z1] Technische Spezifikation: Mit Aufkleber[D]
2	2H004269000YR6	Verkleidung Kotflügel	1	Farbe: Rot Uluru[Z3] Technische Spezifikation: Mit Aufkleber[D]
2	2B005328	Verkleidung Kotflügel	1	Farbe: Unlackiert[GR]
3	2B005327000NV	Vorderes Schutzblech	1	Farbe: Schwarz Etna[NV]
3	2B005327000YV2	Vorderes Schutzblech	1	Farbe: Centenario[YV2]
3	2B005327000Q4	Vorderes Schutzblech	1	Farbe: Gelb Mojave[Z1]
3	2B005327000YR6	Vorderes Schutzblech	1	Farbe: Rot Uluru[Z3]
3	2B005327	Vorderes Schutzblech	1	Farbe: Unlackiert[GR]
4	2B005530	Gitter	1	
5	AP8150413	Gew.schr. 3,9x14	8	
6	AP8152299	Selbstsperrende Mutter M6	4	
7	2B005945	Stiftschraube	4	
8	2B006410	T-Buchse	4	
9	2B002571	Schraube TEF M8x25 vorimprägniert	4	
10	AP8221128	T-Buchse 8,5x10,7x12	4	
11	AP8120030	Gummi	4	

Einheit	Aufbau
Code	02.030
Beschreibung	Vorderes Schutzblech-Stütze
Inspektion	1



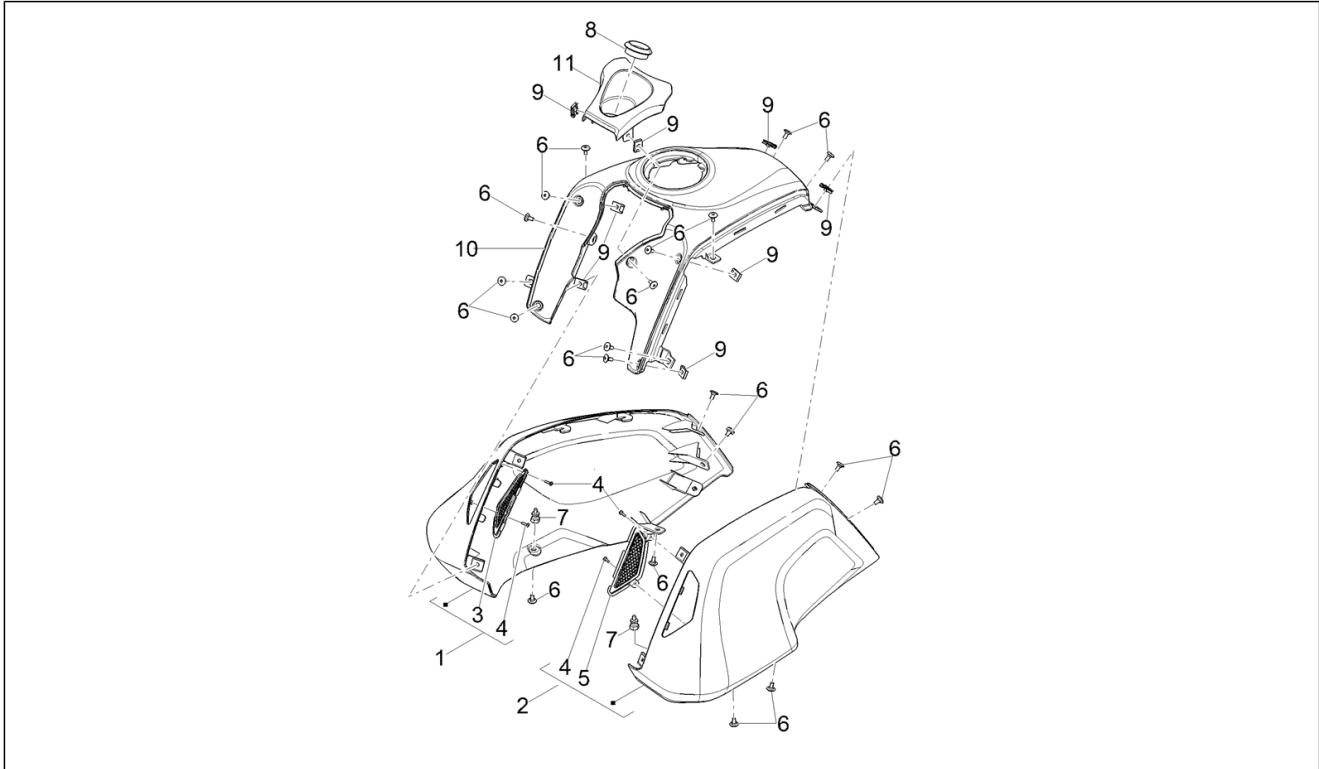
Pos.	Code	Beschreibung	Menge	Varianten
12	2B007936	Sechskantschraube mit Flansch M8x16	4	
13	2B004655	Wannenschutz	1	
14	575268	Federplättchen M8	4	
15	2B004657	Hinterer Steigbügel	1	
16	2B004656	Vorderer Steigbügel	1	

Einheit	Aufbau
Code	02.050
Beschreibung	Windschild / Windschutzscheibe
Inspektion	1



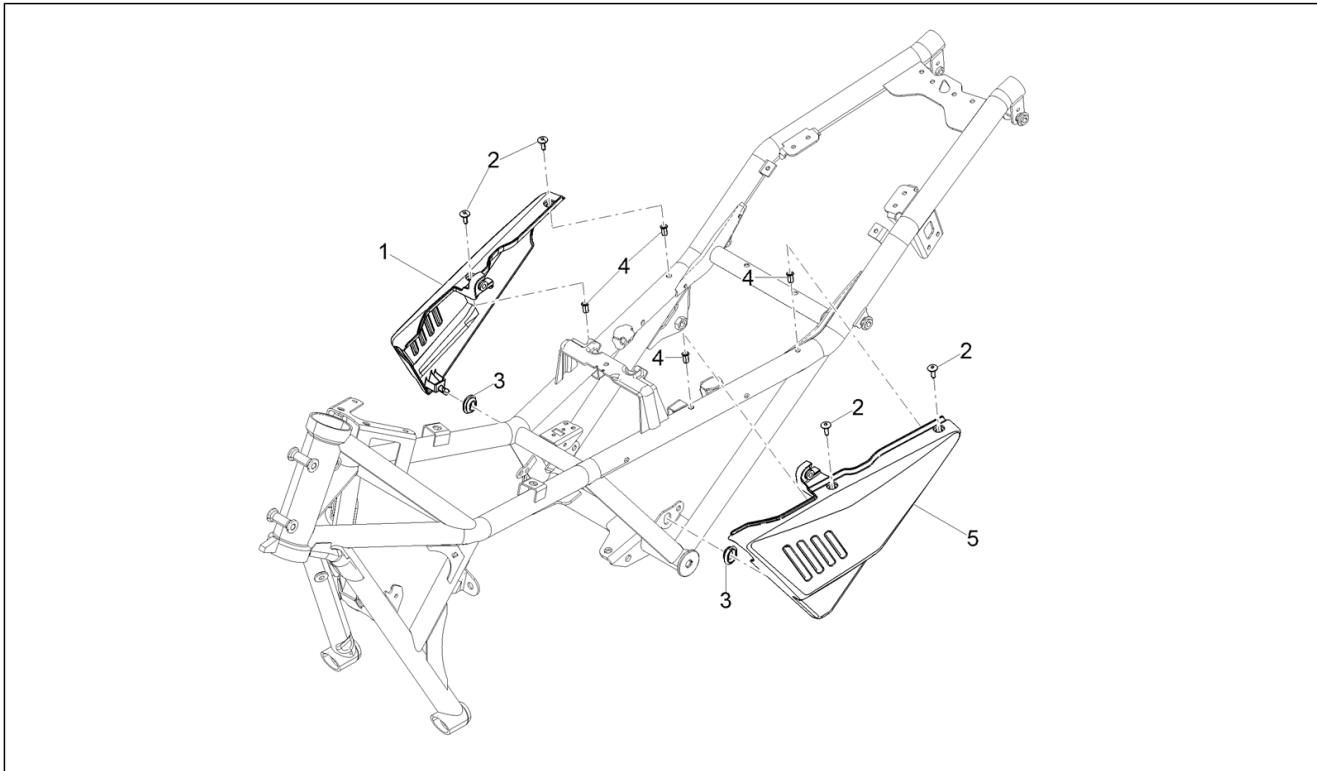
Pos.	Code	Beschreibung	Menge	Varianten
1	2B005664	Windschild	1	
2	AP8152137	TBEI Schraube M6x20 Z.N.	4	
3	GU32578410	Buchse black	4	
4	GU32577910	Gummi 10x25	4	
5	2B005819	Buchse	4	
6	2B002187	TBEI Schraube M6x10	4	
7	2B005453	Halterung Windschutzsch.	1	
8	2B005508	Buchse	4	
9	2B005510	Gewindebuchse M6	2	
10	2B005511	Gewindebuchse M6	2	
11	GU98370616	TBEI Schraube M6x16 inox	2	
12	GU98692325	TCEI Schraube M6x25	2	
13	AP8150378	Ausgleichscheibe 6,4x18x2	2	
14	AP8152181	Scheibe 6,4x15x1	4	

Einheit	Aufbau
Code	02.090
Beschreibung	Tankabdeckung
Inspektion	1



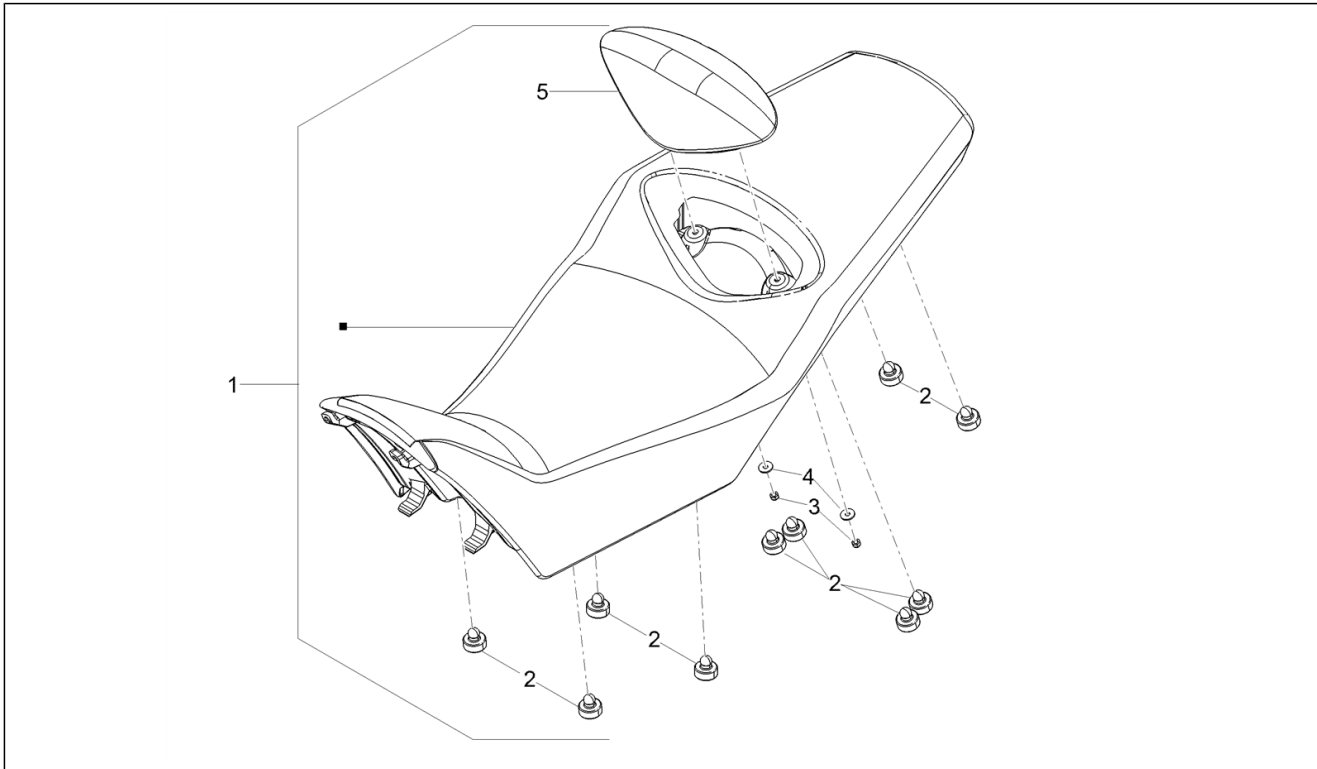
Pos.	Code	Beschreibung	Menge	Varianten
1	2H004264000NV	Tankabdeckung re	1	Farbe: Schwarz Etna[NV] Technische Spezifikation: Mit Aufkleber[D]
1	2H004377000G12	Tankabdeckung re	1	Farbe: Centenario[YV2] Technische Spezifikation: Mit Aufkleber[D]
1	2H004275000Z3	Tankabdeckung re	1	Farbe: Rot Uluru[Z3] Technische Spezifikation: Mit Aufkleber[D]
1	2H004275000Z1	Tankabdeckung re	1	Farbe: Gelb Mojave[Z1] Technische Spezifikation: Mit Aufkleber[D]
1	2B006062	Tankabdeckung re	1	Farbe: Unlackiert[GR]
2	2H004265000NV	Tankabdeckung li	1	Farbe: Schwarz Etna[NV] Technische Spezifikation: Mit Aufkleber[D]
2	2H004378000G12	Tankabdeckung li	1	Farbe: Centenario[YV2] Technische Spezifikation: Mit Aufkleber[D]
2	2H004276000Z3	Tankabdeckung li	1	Farbe: Rot Uluru[Z3] Technische Spezifikation: Mit Aufkleber[D]
2	2H004276000Z1	Tankabdeckung li	1	Farbe: Gelb Mojave[Z1] Technische Spezifikation: Mit Aufkleber[D]
2	2B006063	Tankabdeckung li	1	Farbe: Unlackiert[GR]
3	2B005464	Gitter Abdeckung re	1	
4	AP8150421	Gew.schr. 2,9x12	4	
5	2B005463	Gitter Abdeckung li	1	
6	AP8150500	TBEI Schraube M5x9 NERINOX	14	
7	2B005486	Stiftschraube	2	
8	AP8127461	Dichtung Zündschloß	6	
9	AP8102375	Klammer M5	10	
10	2B005462	Abdeckung Tankdeckel	1	
11	2B005467	Abdeckungen	1	

Einheit	Aufbau
Code	02.100
Beschreibung	Mittlerer Aufbau
Inspektion	1



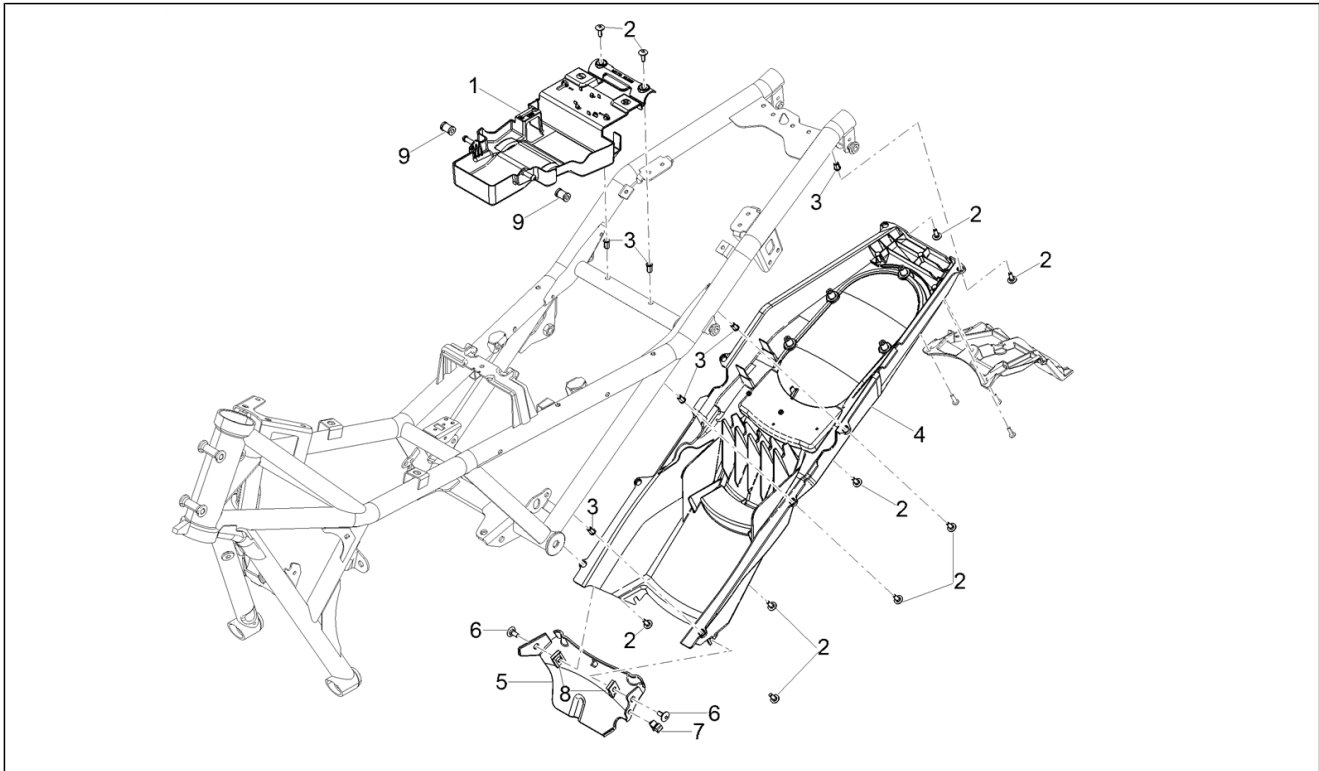
Pos.	Code	Beschreibung	Menge	Varianten
1	2H003191000NV	R. kl. Seitenteil	1	Farbe: Schwarz Etna[NV] Technische Spezifikation: Mit Aufkleber[D]
1	2H004382000YV2	R. kl. Seitenteil	1	Farbe: Centenario[YV2] Technische Spezifikation: Mit Aufkleber[D]
1	2H004279000Z2	R. kl. Seitenteil	1	Farbe: Gelb Mojave[Z1] Technische Spezifikation: Mit Aufkleber[D]
1	2H004279000Z4	R. kl. Seitenteil	1	Farbe: Rot Uluru[Z3] Technische Spezifikation: Mit Aufkleber[D]
1	2B005181	R. kl. Seitenteil, roh	1	Farbe: Unlackiert[GR]
2	AP8152302	TBEI Schraube m.Flansch M5x12	4	
3	AP8220162	Gummi	2	
4	AP8201755	Geschnitten Kunststoffniet	4	
5	2H003192000NV	Seitenteil links	1	Farbe: Schwarz Etna[NV] Technische Spezifikation: Mit Aufkleber[D]
5	2H004383000YV2	Seitenteil links	1	Farbe: Centenario[YV2] Technische Spezifikation: Mit Aufkleber[D]
5	2H004280000Z2	Seitenteil links	1	Farbe: Gelb Mojave[Z1] Technische Spezifikation: Mit Aufkleber[D]
5	2H004280000Z4	Seitenteil links	1	Farbe: Rot Uluru[Z3] Technische Spezifikation: Mit Aufkleber[D]
5	2B005182	L. kl. Seitenteil, roh	1	Farbe: Unlackiert[GR]

Einheit	Aufbau
Code	02.120
Beschreibung	Sitz
Inspektion	1



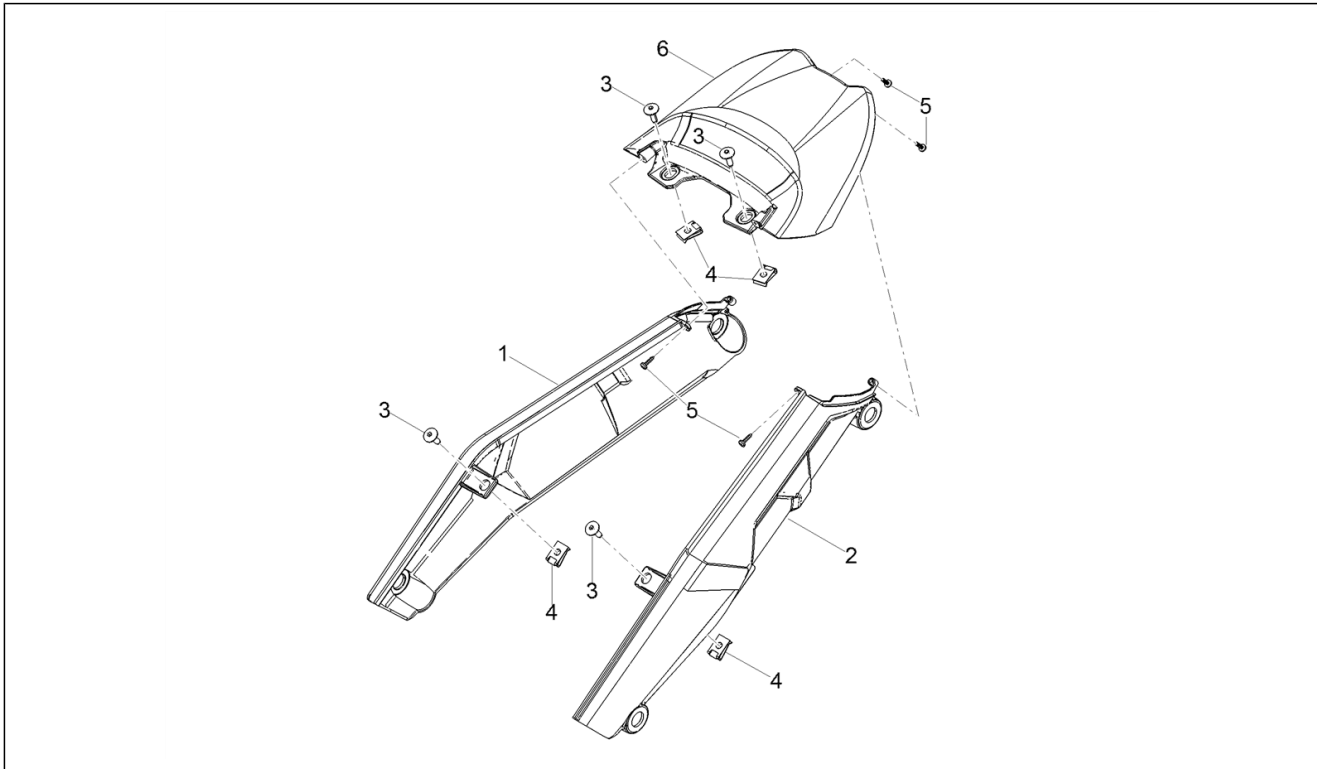
Pos.	Code	Beschreibung	Menge	Varianten
1	2B005099000C4	Sitz	1	Farbe:Centenario[YV2]
1	2B005099000C3	Sitz	1	Farbe:Schwarz Etna[NV]
1	2B005099000C2	Sitz	1	Farbe:Gelb Mojave[Z1] Rot Uluru[Z3]
2	B064023	Sitz-Auflagegummi	10	
3	AP8150114	Selbstsperr.mut Unt.	2	
4	224664	Unterlegscheibe 5,2X15X1,5	2	
5	2B005641000C4	Rückenlehne	1	Farbe:Centenario[YV2]
5	2B005641000C3	Rückenlehne	1	Farbe:Schwarz Etna[NV]
5	2B005641000C2	Rückenlehne	1	Farbe:Gelb Mojave[Z1] Rot Uluru[Z3]

Einheit	Aufbau
Code	02.130
Beschreibung	Staufach
Inspektion	1



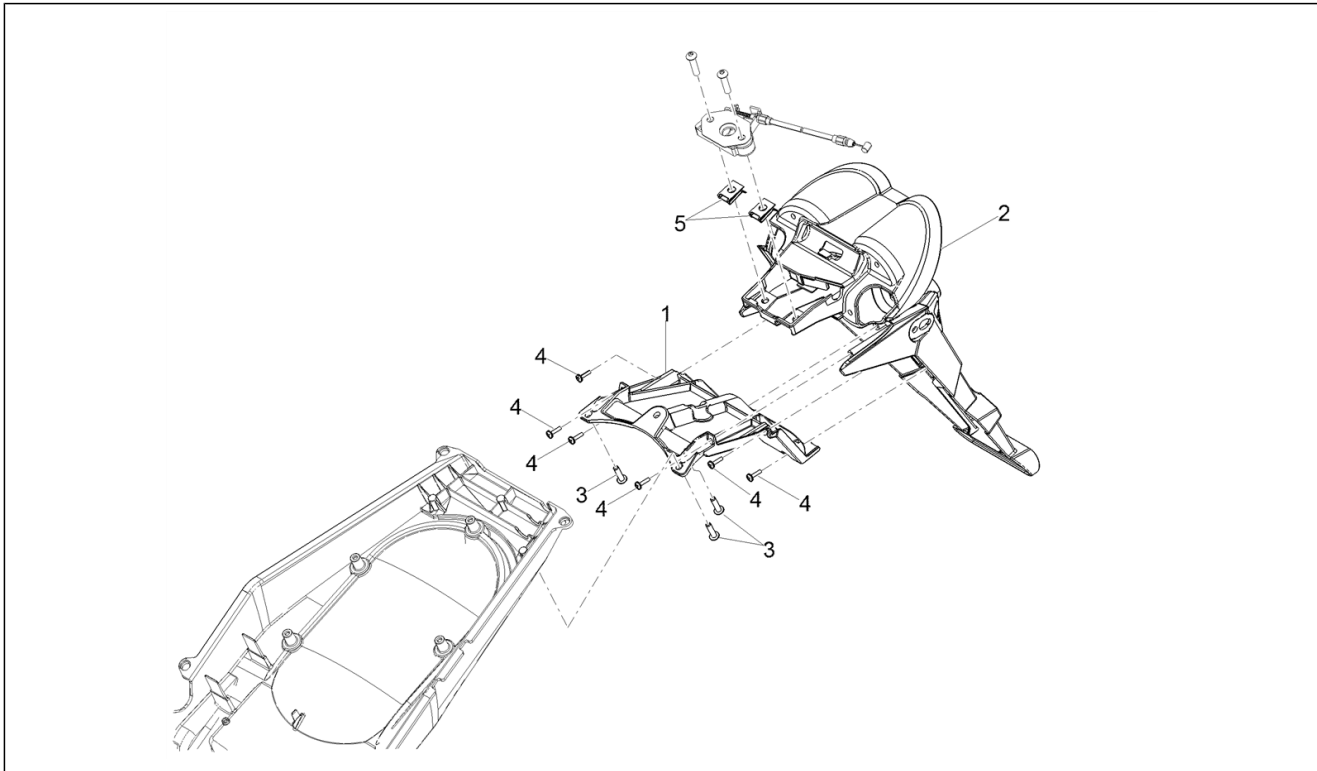
Pos.	Code	Beschreibung	Menge	Varianten
1	2B005443	Staufach	1	
2	AP8152302	TBEI Schraube m.Flansch M5x12	10	
3	AP8201755	Geschnitten Kunststoffniet	10	
4	2B005442	Batteriekasten	1	
5	2B005846	Radbremsleitung Schutz	1	
6	AP8150500	TBEI Schraube M5x9 NERINOX	2	
7	2B004088	Kabelclip	1	
8	AP8102375	Klammer M5	1	
9	109355	Kabelführung	2	

Einheit	Aufbau
Code	02.140
Beschreibung	Heckaufbau
Inspektion	1



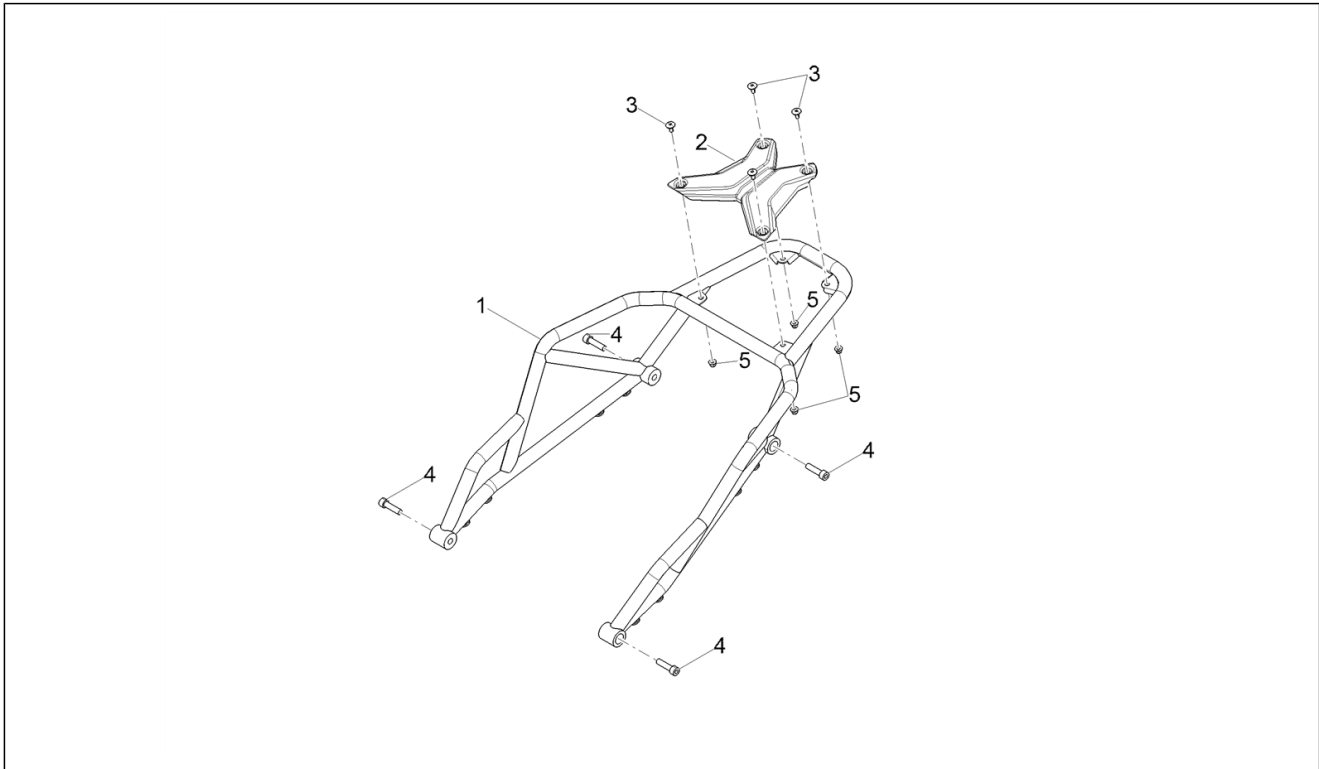
Pos.	Code	Beschreibung	Menge	Varianten
1	2B005352	Verkleidung hinten re	1	
2	2B005353	Verkleidung hinten li	1	
3	AP8152302	TBEI Schraube m.Flansch M5x12	4	
4	AP8102375	Klammer M5	4	
5	296141	Blehschraube	4	
6	2B005354	Hintere Verkleidung	1	

Einheit	Aufbau
Code	02.150
Beschreibung	Hinteres Schutzblech
Inspektion	1



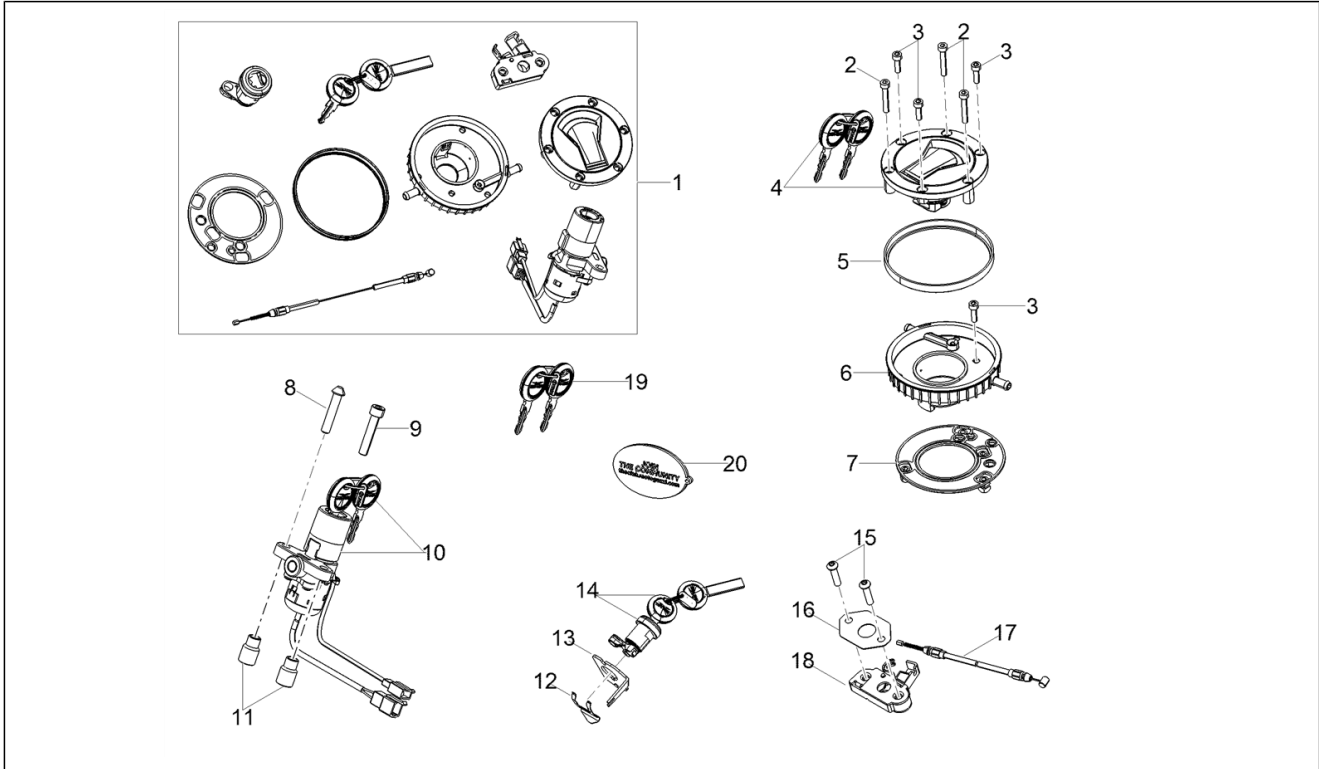
Pos.	Code	Beschreibung	Menge	Varianten
1	2B005694	Abschluss Nummernschildhalter	1	
2	2B005451	Kenzeichenplatte	1	
3	AP8152329	Kreuz.schl.flnschschr. M5x20	3	
4	AP8150413	Gew.schr. 3,9x14	6	
5	254485	Federplättchen M6	2	

Einheit	Aufbau
Code	02.160
Beschreibung	Gepäckträger
Inspektion	1



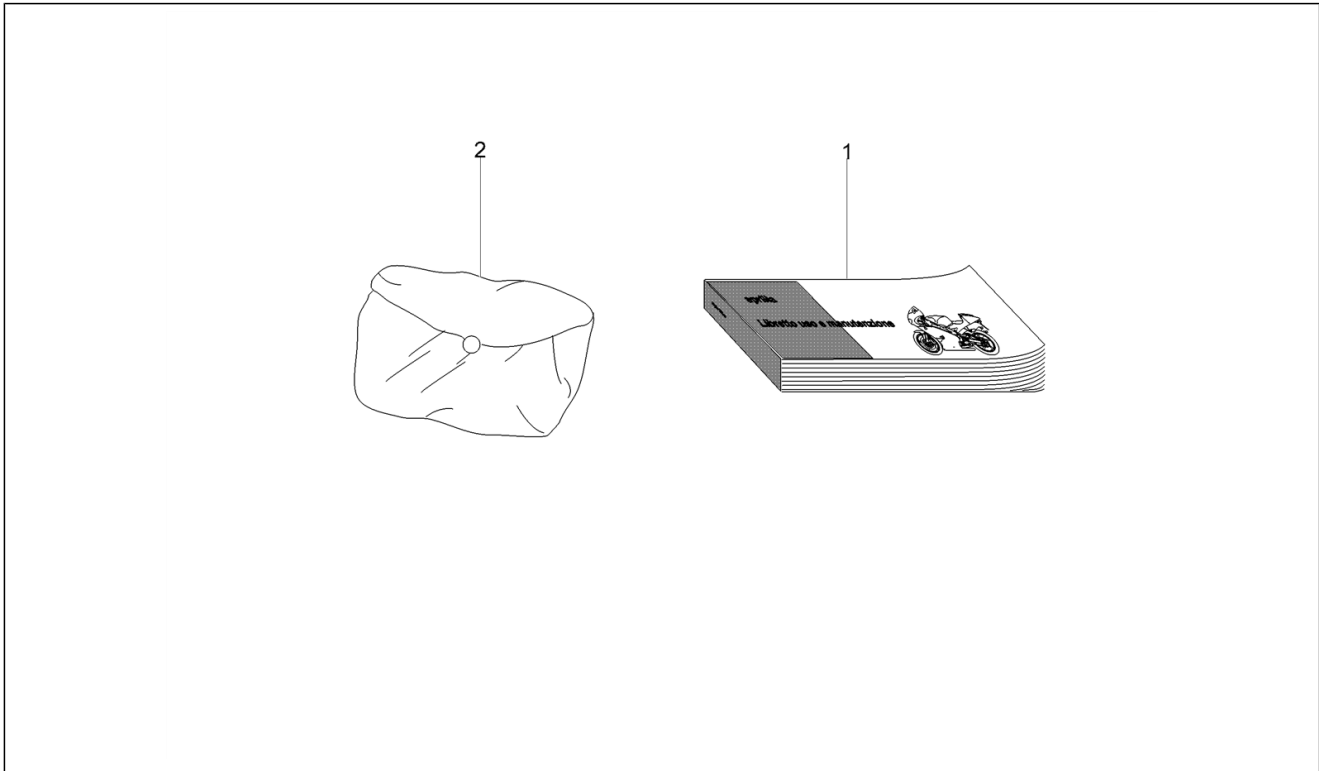
Pos.	Code	Beschreibung	Menge	Varianten
1	2B005292000YR8	Gepäckträger, rot	1	Farbe:Gelb Mojave[Z1] Rot Uluru[Z3]
1	2B005292000YE9	Gepäckträger	1	Farbe:Centenario[YV2] Schwarz Etna[NV]
2	2B005779	Reifen	1	
3	AP8150500	TBEI Schraube M5x9 NERINOX	4	
4	GU98682430	TCEI Schraube M8x30	4	
5	AP8152306	Selbstsperrende Mutter M5	4	

Einheit	Aufbau
Code	02.170
Beschreibung	Schlösser
Inspektion	1



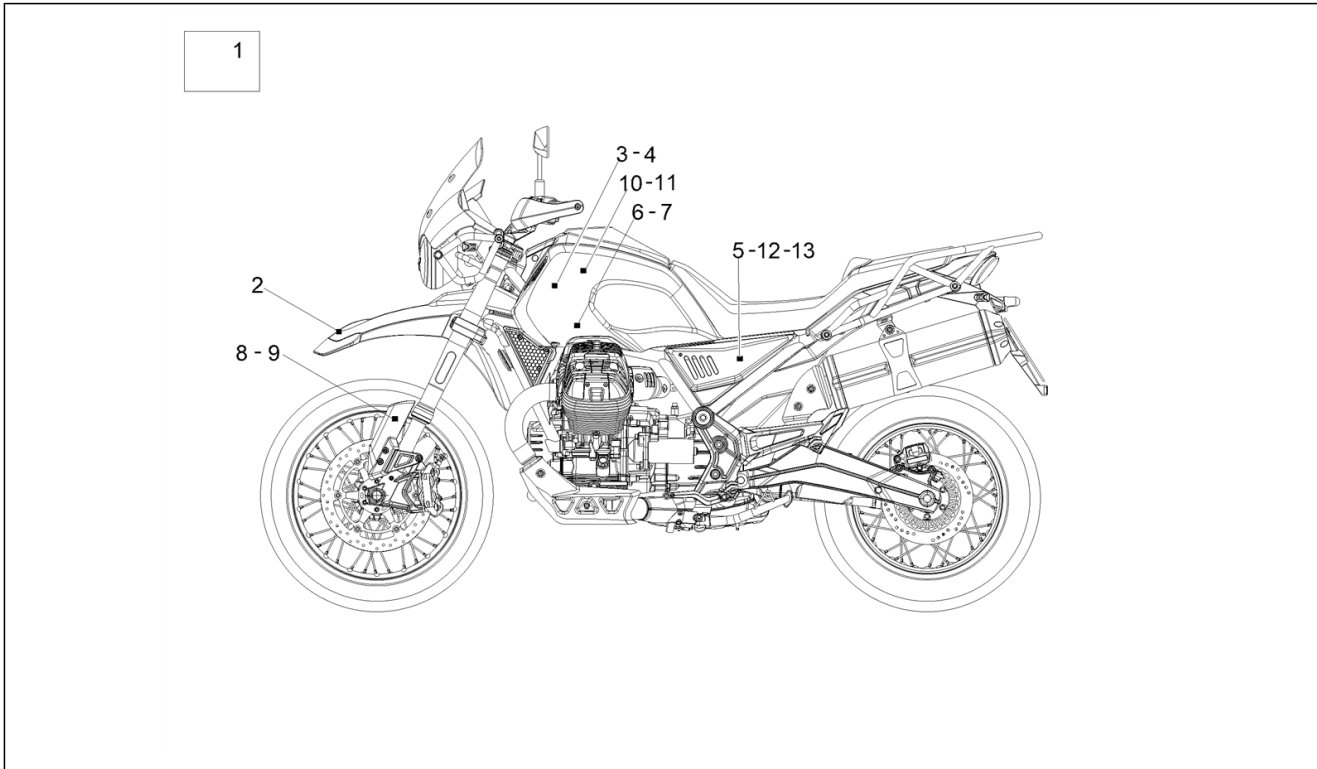
Pos.	Code	Beschreibung	Menge	Varianten
1	2B005579	Kit Schließvorrichtungen	1	
2	AP8150453	TCEI Schraube M5x30	3	
3	AP8150454	TCEI Schraube M5x16	4	
4	2B005681	Tankverschluss mit Schlüssel	1	
5	899105	Tankverschlusdichtung	1	
6	899107	Schwimmerkammer	1	
7	899106	Dichtung	1	
8	AP8150351	Reißschraube M8x40	1	
9	AP8150171	TCEI Schraube M8x40	1	
10	2D000496	Umschalter mit Schlüssel	1	
11	856180	Distanzscheibe *	2	
12	AP8121420	Gabelfeder	1	
13	978415	Kabelplatte	1	
14	2B005680	Schloss Sitzbank mit Schlüssel	1	
15	GU98370625	TBEI Schraube M6x25	1	
16	886820	Sitzschloß Fixierplatte	1	
17	2B005651	Sitz-Einkupplungsvorrichtung	1	
18	899543	Einhakplättchen schloß	1	
19	2B005184	Transponderschlüssel glatt	1	
20	2B004276	Schlüsselanhänger "THE CLAN"	1	

Einheit	Aufbau
Code	02.180
Beschreibung	Schilden
Inspektion	1



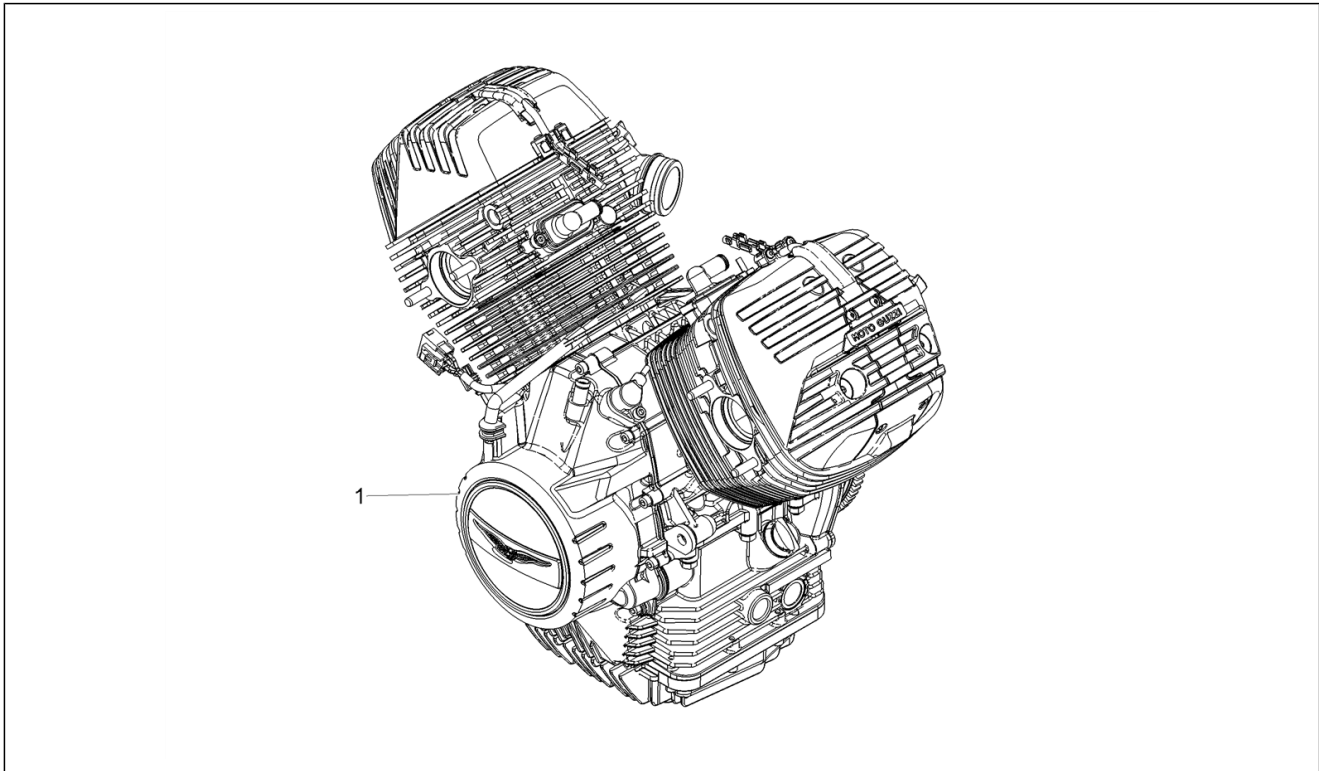
Pos.	Code	Beschreibung	Menge	Varianten
1	2Q000451QK	Bed./Wart.-Anl. IT-FR-DE-NL-ES-EN	1	
2	2B006272	Werkzeugtasche	1	

Einheit	Aufbau
Code	02.190
Beschreibung	Deko
Inspektion	1



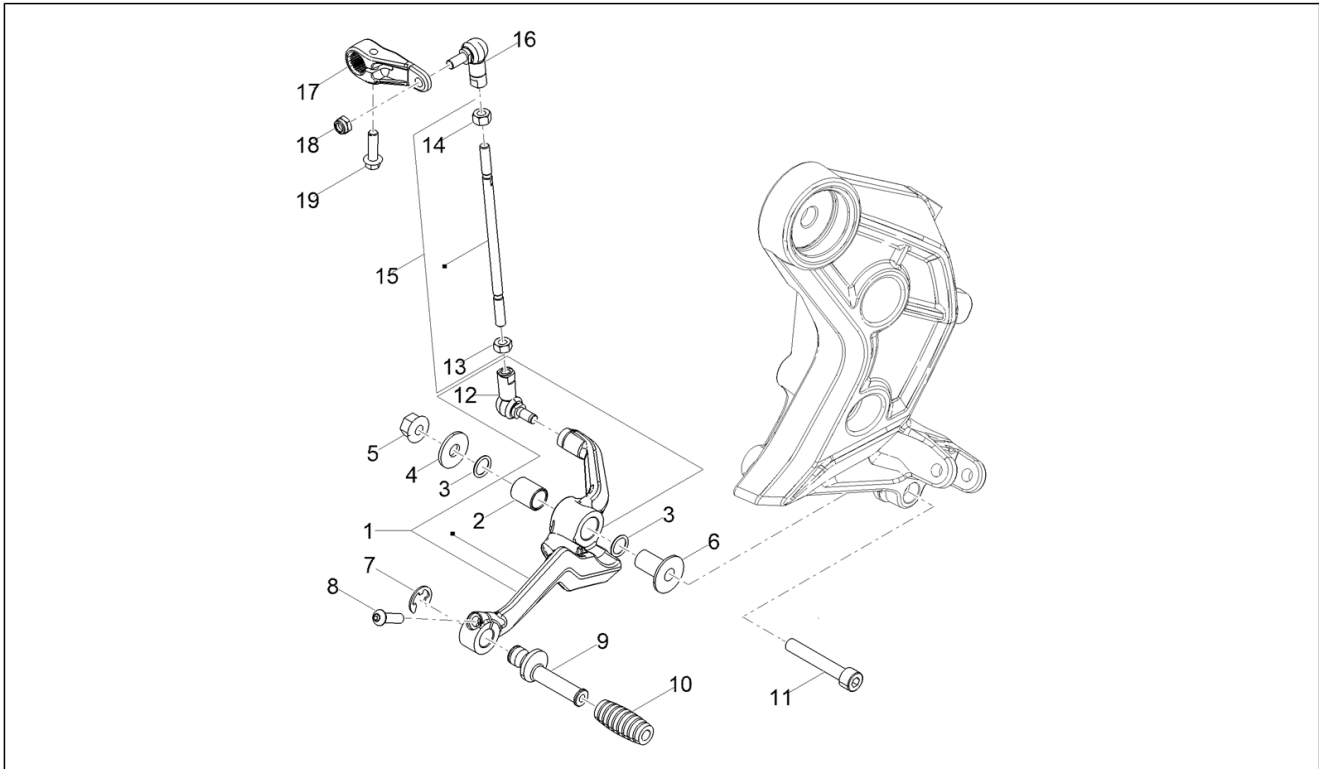
Pos.	Code	Beschreibung	Menge	Varianten
1	2B006287	Aufkleber Reifendruck	1	Farbe:Centenario[YV2] Unlackiert[GR] Schwarz Etna[NV] Gelb Mojave[Z1] Rot Uluru[Z3]
2	2H004121	Aufkleber Schutzblech v.	1	Farbe:Centenario[YV2] Schwarz Etna[NV] Gelb Mojave[Z1] Rot Uluru[Z3]
3	2H004384	Targhetta "aquila" DX	1	Farbe:Centenario[YV2]
3	2H003127	Targhetta "aquila" DX	1	Farbe:Schwarz Etna[NV] Gelb Mojave[Z1] Rot Uluru[Z3]
4	2H004385	Plakette "Aquila" links	1	Farbe:Centenario[YV2]
4	2H003128	Plakette "Aquila" links	1	Farbe:Schwarz Etna[NV] Gelb Mojave[Z1] Rot Uluru[Z3]
5	2H004386	Schild "V85TT"	2	Farbe:Centenario[YV2]
5	2H003185	Schild "V85TT"	2	Farbe:Schwarz Etna[NV]
6	2H004270	Aufkleber Streifen rechts	1	Farbe:Schwarz Etna[NV]
7	2H004271	Aufkleber Streifen links	1	Farbe:Schwarz Etna[NV]
8	2H004289	Aufkleber Schaftschutz re	1	Farbe:Gelb Mojave[Z1] Rot Uluru[Z3]
9	2H004290	Aufkleber Schaftschutz li	1	Farbe:Gelb Mojave[Z1] Rot Uluru[Z3]
10	2H004291	Aufkleber Streifen rechts	1	Farbe:Gelb Mojave[Z1] Rot Uluru[Z3]
11	2H004292	Aufkleber Streifen links	1	Farbe:Gelb Mojave[Z1] Rot Uluru[Z3]
12	2H004293	Aufkleber Seitenteil re	1	Farbe:Gelb Mojave[Z1] Rot Uluru[Z3]
13	2H004294	Aufkleber Seitenteil links	1	Farbe:Gelb Mojave[Z1] Rot Uluru[Z3]

Einheit	Motor
Code	03.010
Beschreibung	Motor-Fertigstellung
Inspektion	1



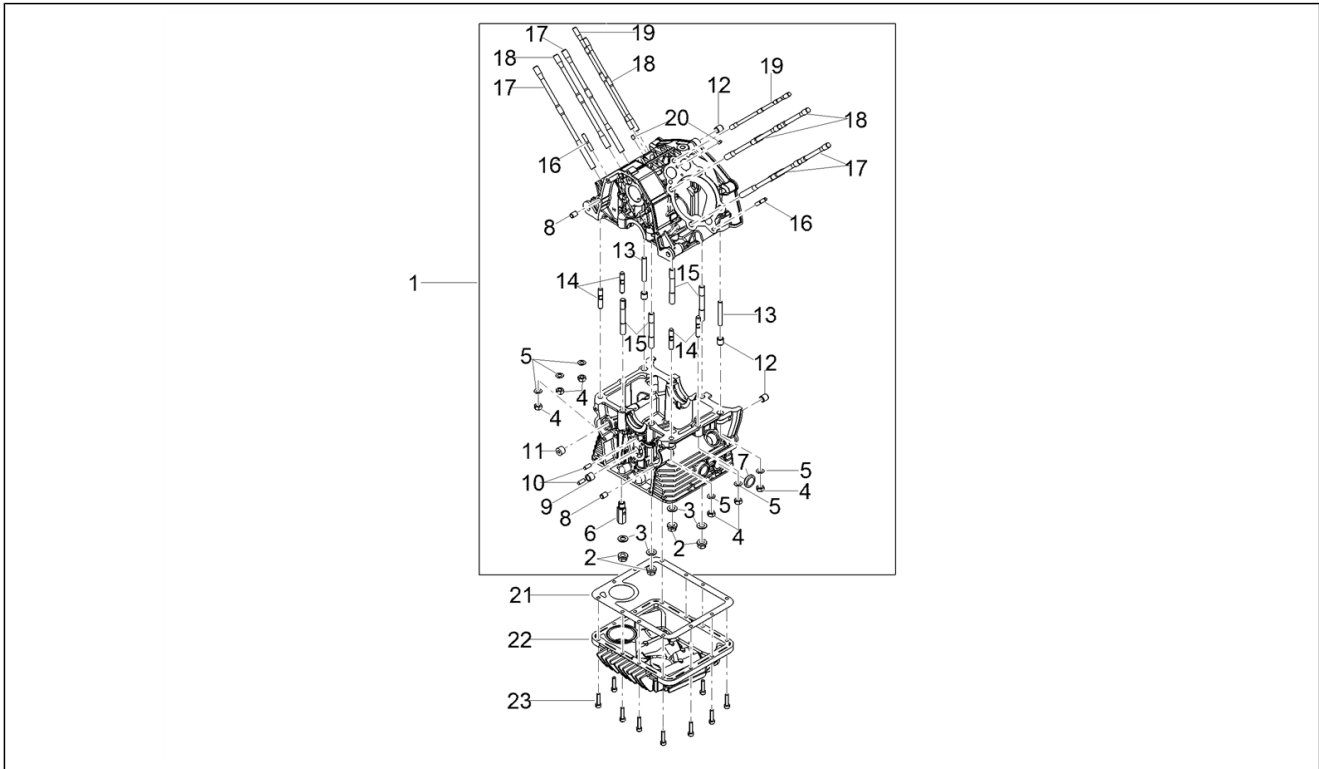
Pos.	Code	Beschreibung	Menge	Varianten
1	1A0177125	Motor ohne Getriebe	1	

Einheit	Motor
Code	03.020
Beschreibung	Schalthebel
Inspektion	1



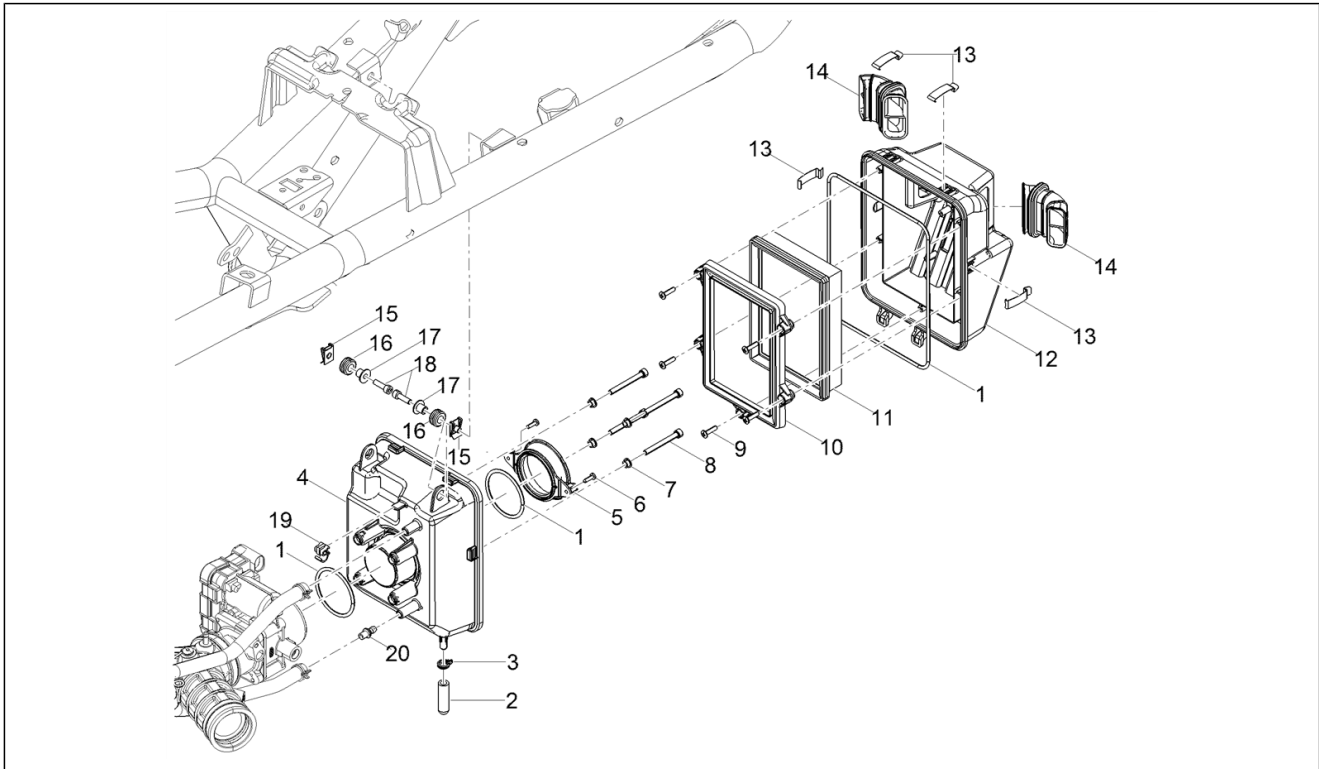
Pos.	Code	Beschreibung	Menge	Varianten
1	2B004670	Schalthebel kpl.	1	
2	895328	Buchse gesintert	1	
3	AP8144007	O-Ring 11,11x1,78	2	
4	AP8150018	Ausgleichscheibe	1	
5	967363	Mutter M8x1,25	1	
6	AP8121509	Buchse	1	
7	AP8150462	Seegerring d9	1	
8	AP8224470	TBEI Schraube M6x20 inox	1	
9	AP8121221	Stift Bremshebel	1	
10	AP8120912	Gummi für Hebel	1	
11	GU98680450	TCEI Schraube M8x50	1	
12	2B004821	Kugelgelenk rechts M6	1	
13	GU92609206	Mutter M6	1	
14	GU03256800	Mutter M6	1	
15	2B004704	Zugstange Schaltzug	1	
16	898397	Kugelgelenk links M6	1	
17	2B0051099	Schalthebel	1	
18	GU92630707	Mutter M6	1	
19	2B004560	Sechskantschraube M6x20 vorimprägniert	1	

Einheit	Motor
Code	03.030
Beschreibung	Gehäuse I
Inspektion	1



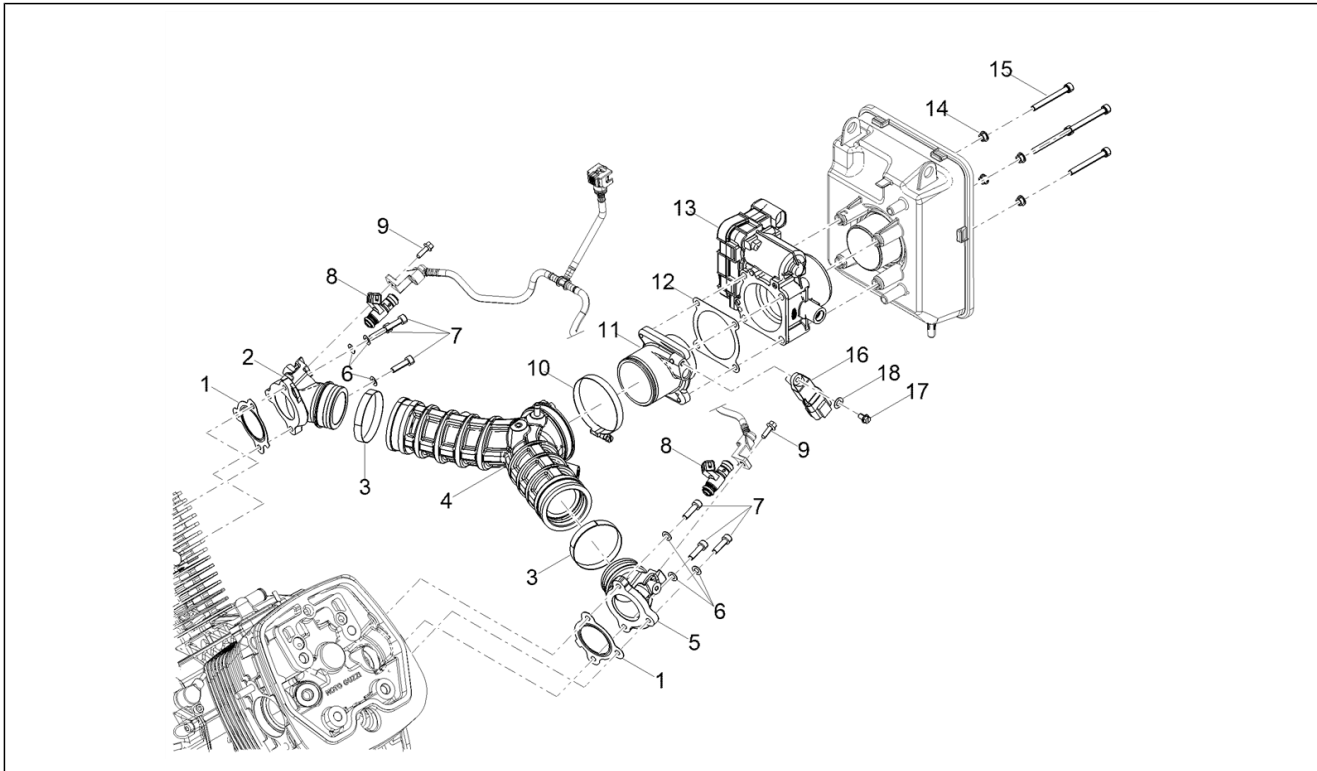
Pos.	Code	Beschreibung	Menge	Varianten
1	1A0143906	Gekoppelte Kurbelgehäuse	1	
2	1A006656	Geflanschte Mutter M10x1	4	
3	1A006655	Flachscheibe	4	
4	874557	Geflanschte Mutter M8x1,25	6	
5	1A018734	Flache Unterlegscheibe aus Metall	6	
6	GU19003800	Anschluss	1	
7	485693	Ölstandzeiger	1	
8	GU19002020	Buchse 6,6x9x13	2	
9	976168	Nadelhülse 10x14x12	1	
10	GU19018920	Stift	2	
11	831135	Verschlusschraube M14x1,5	1	
12	GU19015020	Buchse	4	
13	1A018733	Stiftschraube	2	
14	1A018712	Stiftschraube	4	
15	1A004530	Stiftschraube	4	
16	1A008256	Stiftschraube	2	
17	1A008102	Stiftschraube langer Kopf	4	
18	1A008103	Stiftschraube kurzer Kopf	4	
19	1A008104	Stiftschraube zentraler Kopf	2	
20	484993	Haltestein	1	
21	1A014777	Ölwannendichtung	1	
22	1A016645	Olwanne	1	
23	GU98682325	TCEI Schraube M6x25	12	

Einheit	Motor
Code	03.050
Beschreibung	Filtergehäuse
Inspektion	1



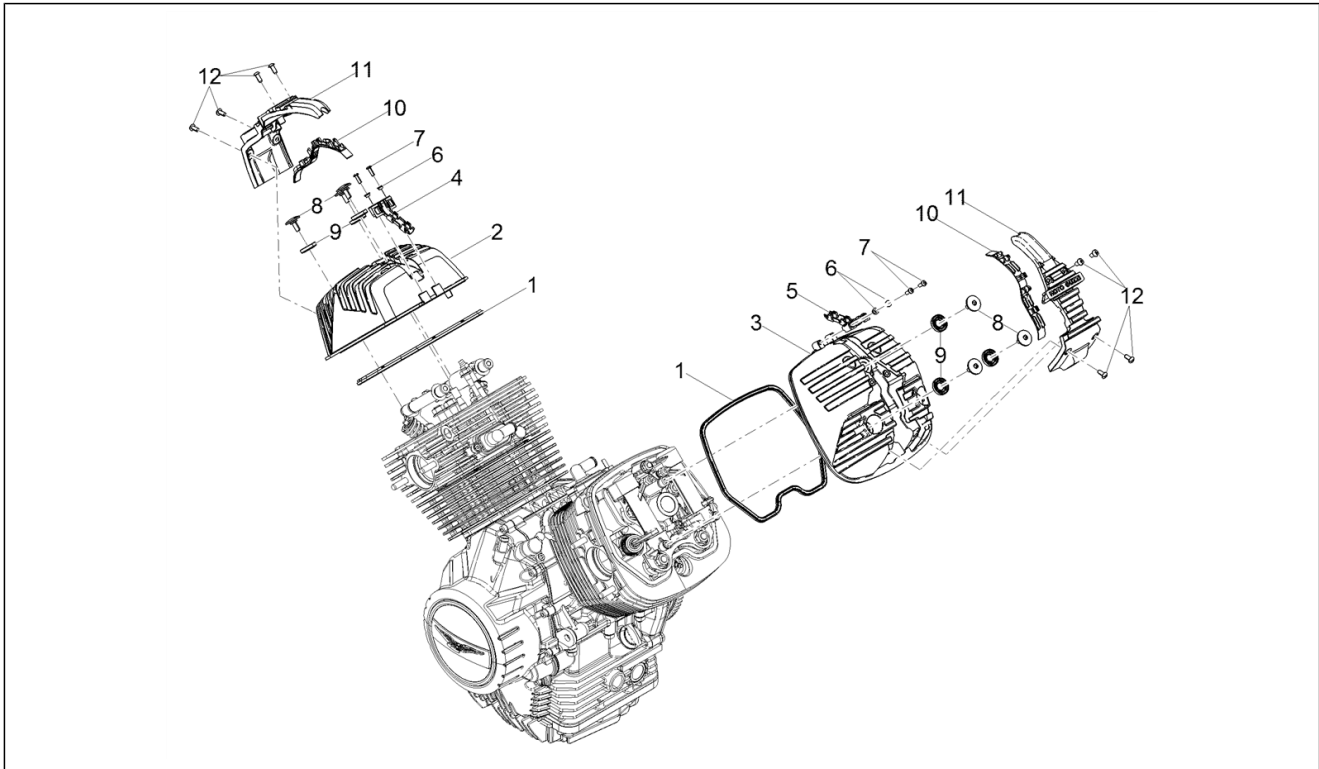
Pos.	Code	Beschreibung	Menge	Varianten
1	AP8120615	Dichtung D3	1	
2	AP8161054	Kappe	1	
3	AP8102520	Schlauchschelle	1	
4	2B004460	Deckel Filtergehäuse	1	
5	2B004959	Saugrohr Einlass	1	
6	AP8150362	Gewindeschraube Edelstahl *	2	
7	887282	T-Buchse	4	
8	AP8150045	TCEI Schraube M6x55	4	
9	AP8152329	Kreuz.schl.flnschr. M5x20	5	
10	886867	Filter Gestell	1	
11	AP8104329	Luftfilter	1	
12	2B007979	Filtergehäuse	1	
13	622236	Kleine Feder	4	
14	886861	Ansaugmuffe	2	
15	254485	Federplättchen M6	2	
16	AP8120030	Gummi	2	
17	AP8221023	T-Buchse	2	
18	GU98682322	TCEI Schraube M6x22	2	
19	AP8201727	Kabelführungs schw.	1	
20	2B006185	Verengung Blow-by-Leitung	1	

Einheit	Motor
Code	03.060
Beschreibung	Klappenkörper
Inspektion	1



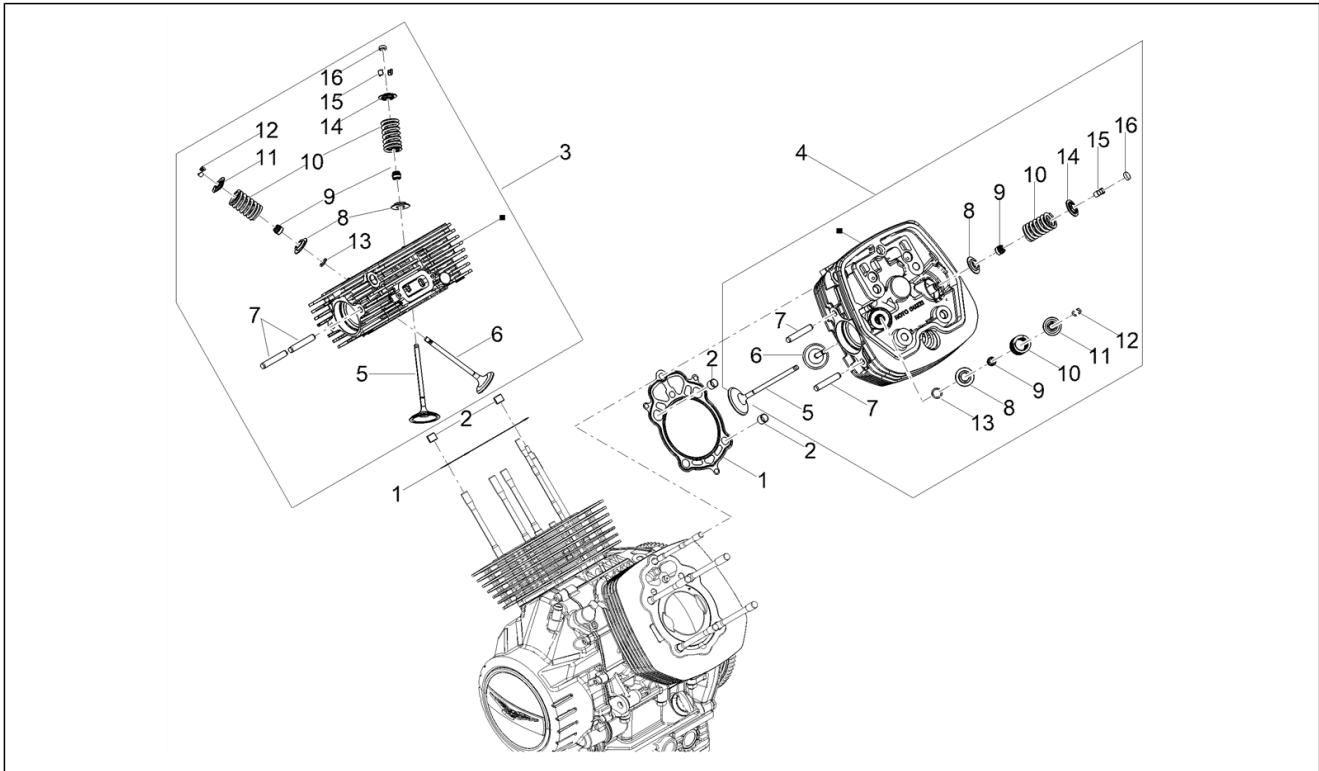
Pos.	Code	Beschreibung	Menge	Varianten
1	1A009167	Dichtung	2	
2	1A017660	Ansaugverbindung rechts	1	
3	CM258302	Schelle	2	
4	1A019905	Muffe Drosselklappe	1	
5	1A017659	Ansaugverbindung links	1	
6	GU03013800	Ausgleichscheibe 6,4x12	6	
7	GU98622322	Schraube	6	
8	1D001393	Injektor	2	
9	830061	Sechskantschraube geflanscht M5x16	2	
10	AP8102401	Schelle D50-70x8*	1	
11	1A008090	Anschluss	1	
12	872264	Dichtung	1	
13	872230	Klappenkörper	1	
14	887282	T-Buchse	4	
15	AP8150045	TCEI Schraube M6x55	4	
16	887015	Lufttemperaturfühler	1	
17	2B002418	TE Schr. m. Flansch M6x16	1	
18	658837	Gewellte Sprengscheibe D15 F8,4 S1,5 - INOX	1	

Einheit	Motor
Code	03.090
Beschreibung	Kopfdeckel
Inspektion	1



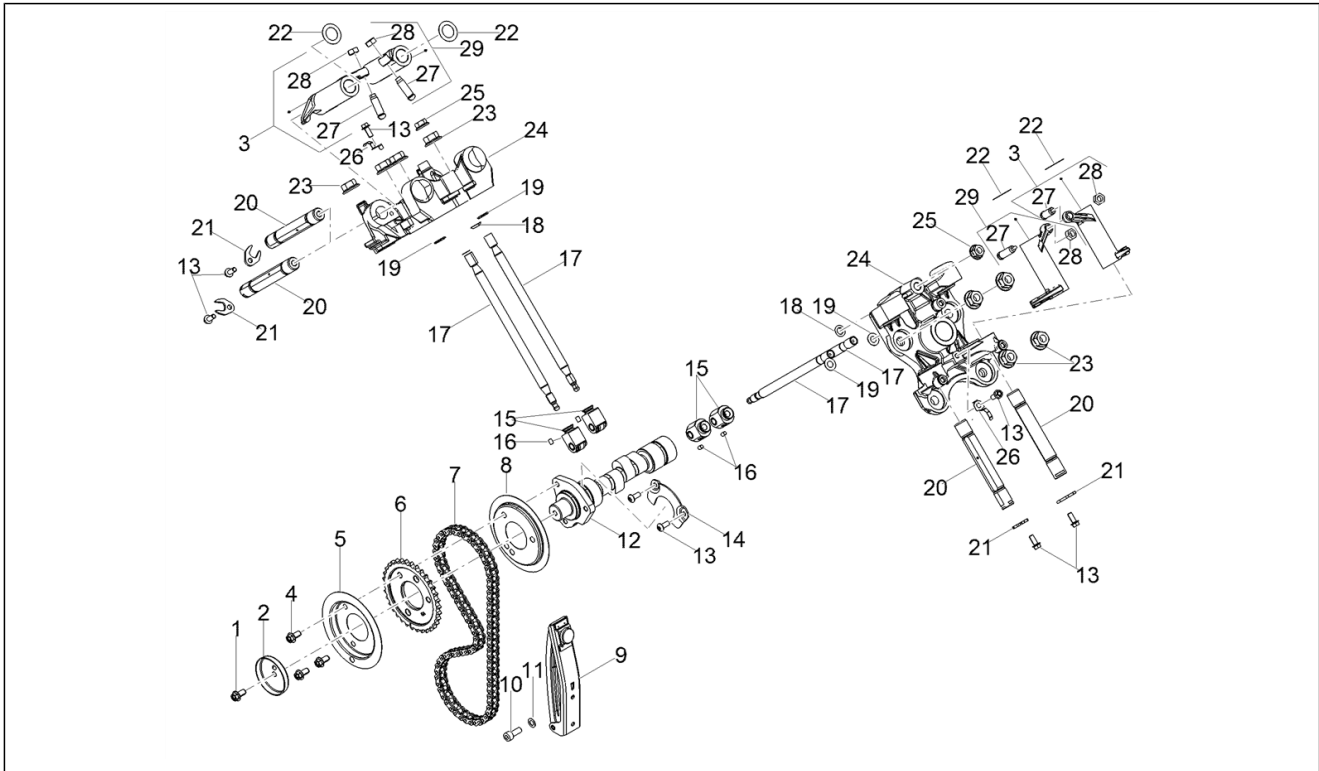
Pos.	Code	Beschreibung	Menge	Varianten
1	2A000565	Kopf Deckel Dichtung	2	
2	1A013795	Kopfdeckel R.	1	
3	1A013793	Kopfdeckel L.	1	
4	2B006084	Halterung Zündkerzenkabel	1	
5	2B006083	Halterung Zündkerzenkabel	1	
6	2B003052	T-Buchse	4	
7	1A003444	Linsenschraube	4	
8	976591	Spezialschraube	6	
9	1A006716	Stopfen dämpfer	6	
10	1A013822	Kabelführung	2	
11	1A013796	Zündkerzedeckel	2	
12	AP8152267	TBEI Spez.schr. M5x12	8	

Einheit	Motor
Code	03.100
Beschreibung	Zylinderkopf - ventile
Inspektion	1



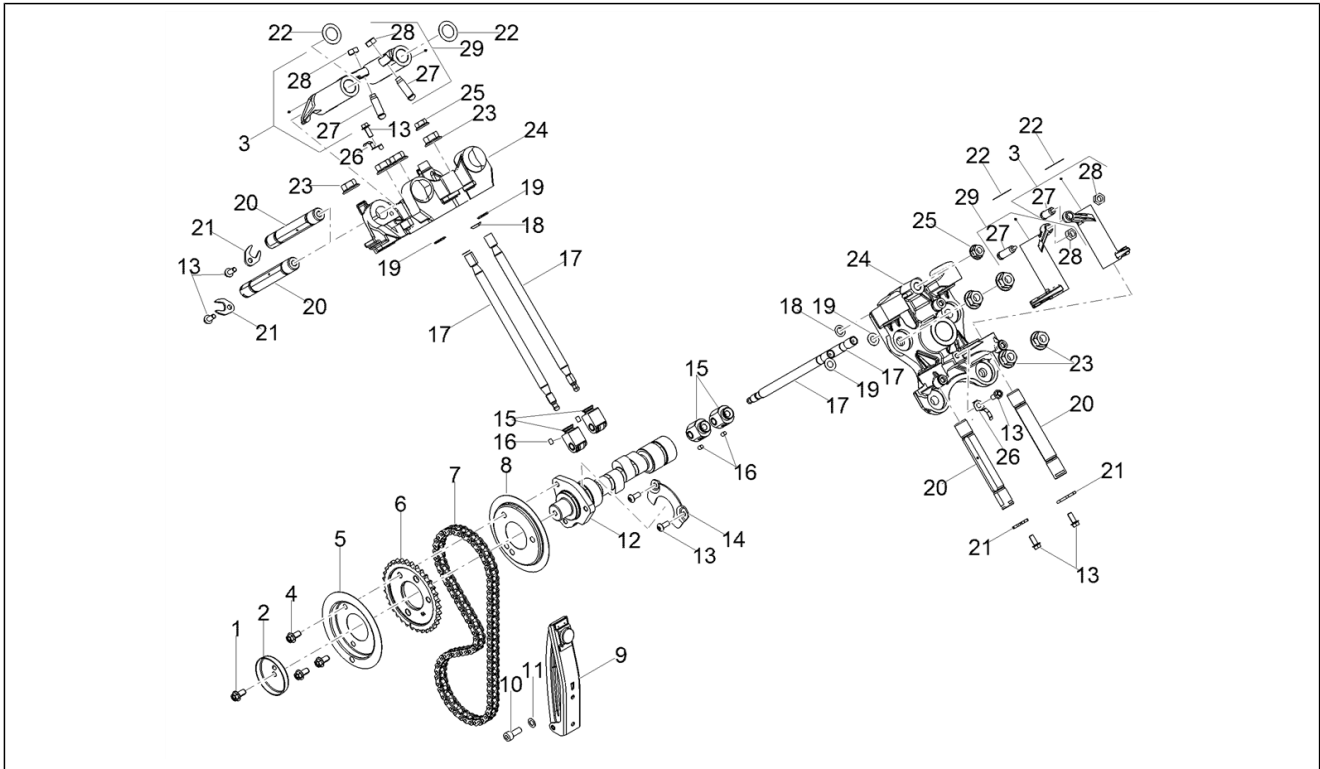
Pos.	Code	Beschreibung	Menge	Varianten
1	1A004661	Zylinder/Kopf Dichtung SP. 0.8 mm	1	
1	1A004662	Zylinder/Kopf Dichtung SP. 1 mm	1	
1	1A004660	Zylinder/Kopf Dichtung sp. 0,6 mm	1	
2	825597	Stift 11,8X10	4	
3	1A015119	R.Kopf kpl.mitVentilführungen	1	
4	1A017725	L.Kopf kpl.mitVentilführungen	1	
5	1A015607R	Einlaßventil	2	
6	1A014459	Auslassventil	2	
7	1A003632R	Stiftschraube	4	
8	1A004751	Federteller unten	4	
9	1A003452	Ventil Dichtring	4	
10	1A011173	Ventilrückholfeder	4	
11	1A004750	Federteller oben	2	
12	871640	Halbkegel	4	
13	GU90353009	Sprengtring	2	
14	1A012899	Federteller oben	2	
15	1A011722	Halbkegel	4	
16	1A015498	Anschluss Ventil	2	

Einheit	Motor
Code	03.120
Beschreibung	Steuer
Inspektion	1



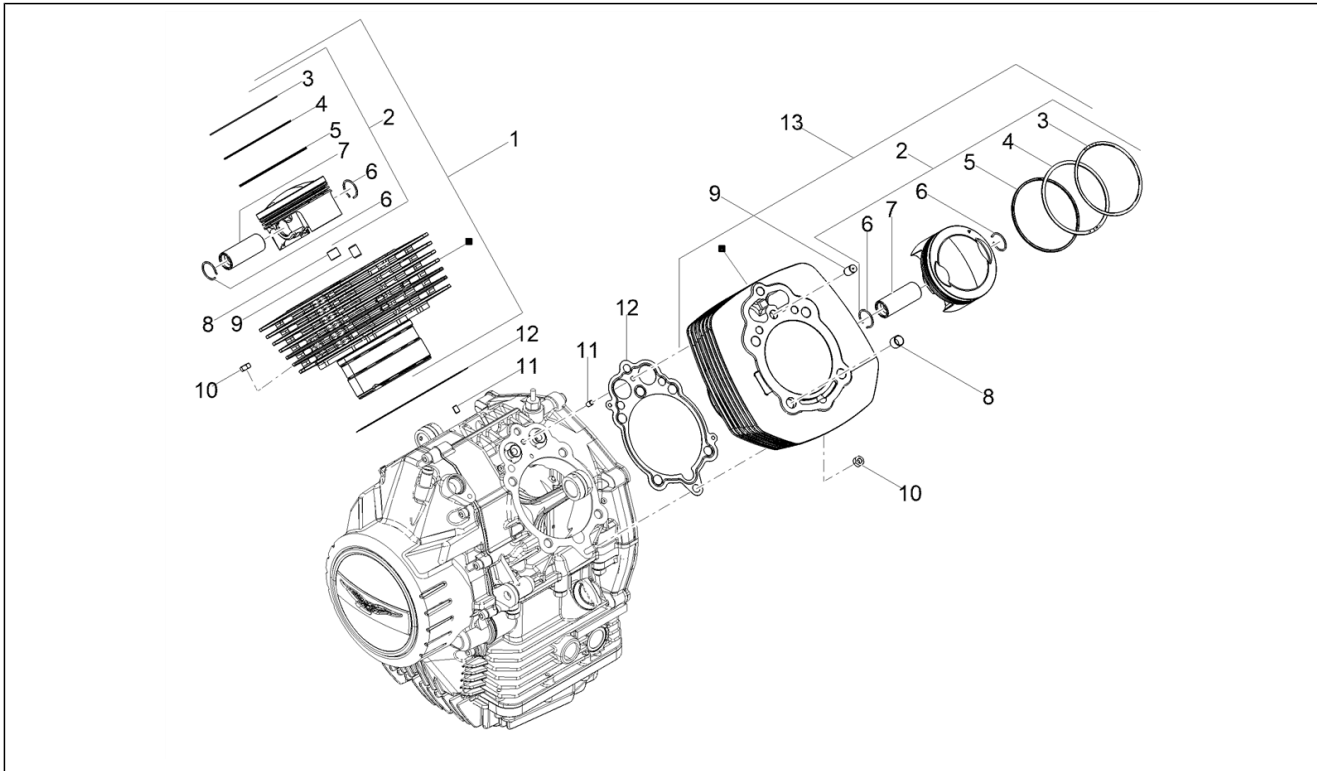
Pos.	Code	Beschreibung	Menge	Varianten
1	878872	TE Schr. m. Flansch	1	
2	1A016844	Protection	1	
3	1A015612	Kippschalter Einlass li Auslass re	2	
4	878872	TE Schr. m. Flansch	3	
5	1A016330	Begrenzungsblech	1	
6	1A006243	Steuer Zahnkranz	1	
7	GU19058021	Steuerkette	1	
8	1A005955	Platte	1	
9	1A017035	Kettenspanner	1	
10	GU98882316	Schraube	1	
11	GU95129115	Ausgleichscheibe	1	
12	1A017488	Nockenwelle	1	
13	1A015041	Schraube m5x12 torx	8	
14	1A009346	Befestigungsblech Nockenwelle	1	
15	1A013671	Rollenstößel	4	
16	B013552	Rolle	4	
17	1A012793	Kippschalterstange	4	
18	1A006861	Gasket ring	2	
19	2A000579	Dichtungsring O-Ring 2,62x9.19	4	
20	1A011963	Kippschalter-Federwelle	4	
21	1A017540	Schaltgabel	4	
22	1A005951	Gebogene Sprengscheibe	4	
23	825694	Mutter M10x1,25	8	
24	1A013883	Kippschallager	2	
25	1A006659	Geflanschte Mutter M8x1.25	2	
26	2A000527	Platte	2	
27	1A004907	Einstellschraube	4	
28	GU10034100	Mutter	4	

Einheit	Motor
Code	03.120
Beschreibung	Steuer
Inspektion	1



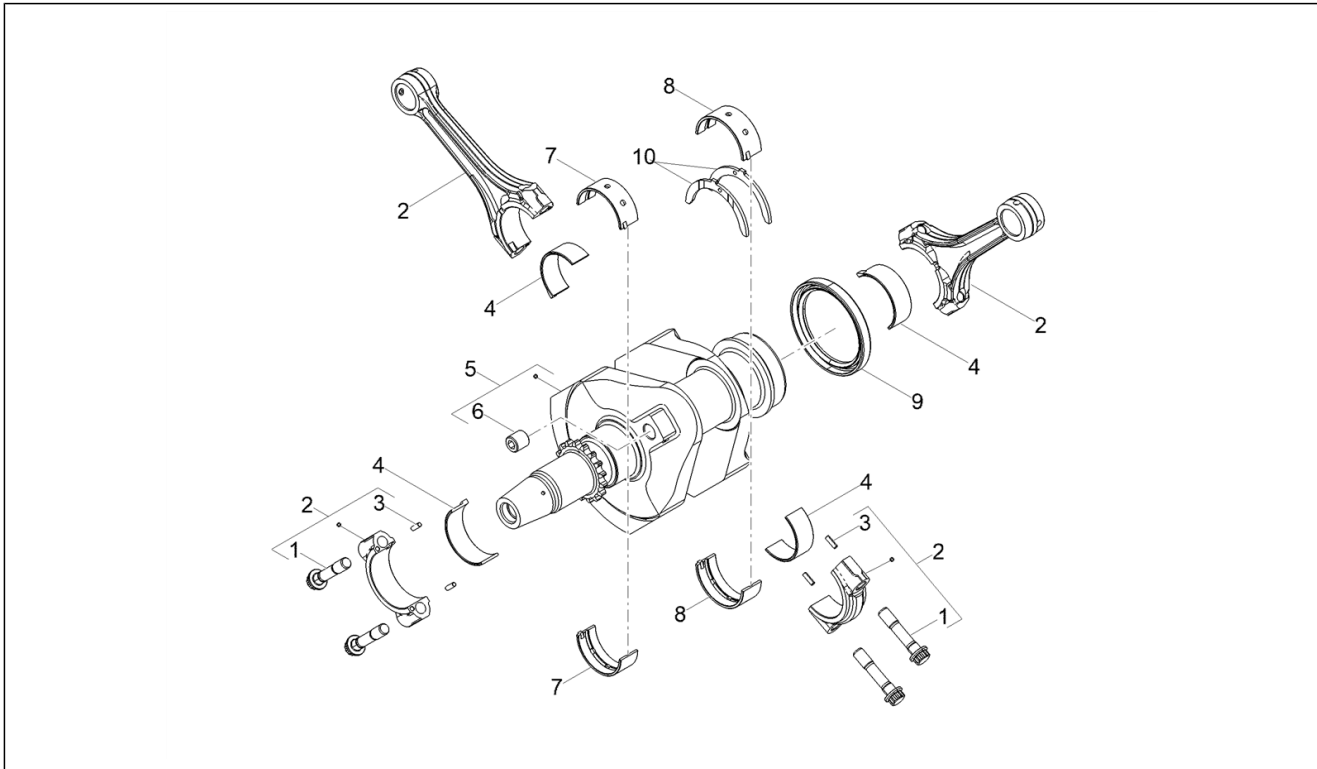
Pos.	Code	Beschreibung	Menge	Varianten
29	1A015613	Kippschalter Einlass re Auslass li	1	

Einheit	Motor
Code	03.150
Beschreibung	Zylinder - Kolben
Inspektion	1



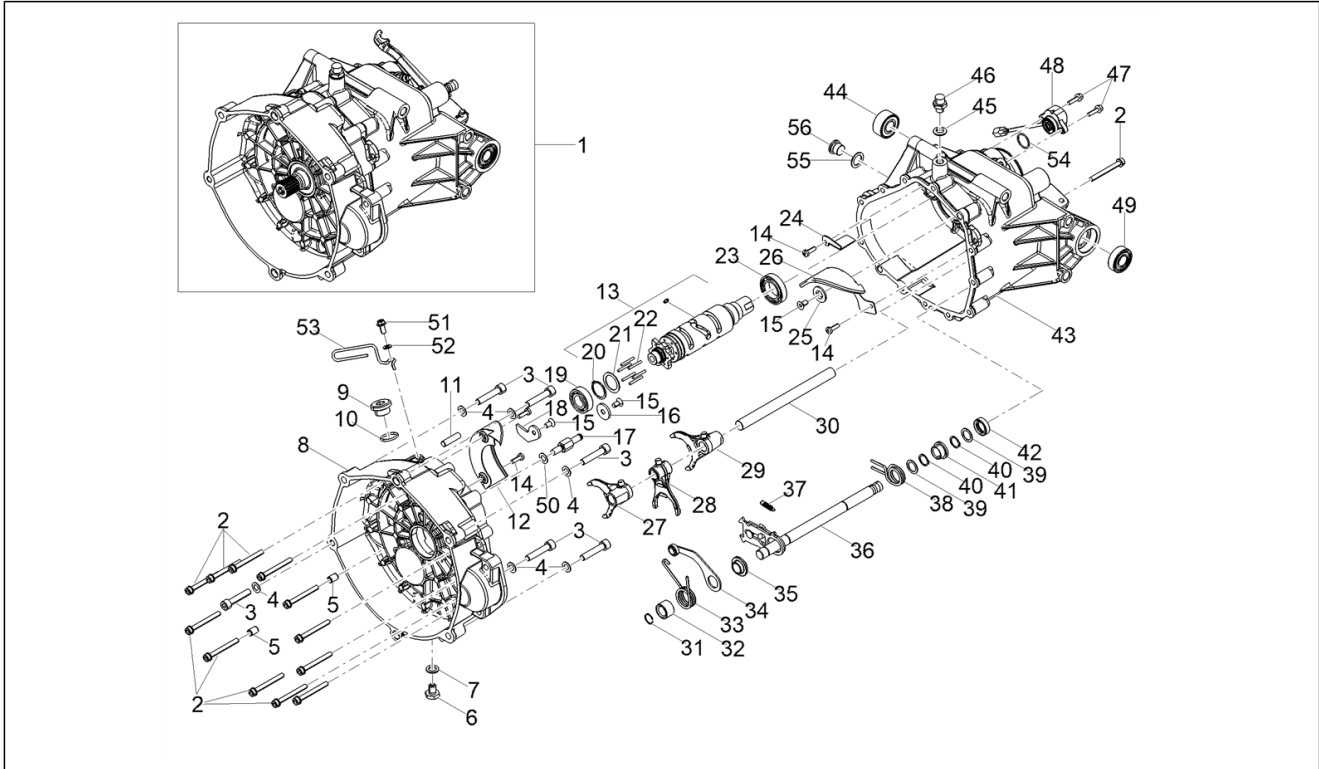
Pos.	Code	Beschreibung	Menge	Varianten
1	1A017867	Zylinder m. Kolben re.	2	
2	1A0152720G	Kolben komplett Kat. G	1	
2	1A0152720H	Kolben komplett Kat. H	1	
2	1A0152720L	Kolben komplett Kat. L	1	
2	1A0152720M	Kolben komplett Kat. M	2	
3	1A013936	Kompressionsring	2	
4	1A004954	Kompressionsring	2	
5	1A004955	Ölabstreifer	2	
6	1A011548	Rückhaltering Kolbenbolzen	4	
7	1A008933	Bolzen	2	
8	825597	Stift 11,8X10	2	
9	GU19021360	Buchse	2	
10	288245	Mutter, selbstsichernd M6	2	
11	484993	Haltestein	2	
12	1A010855	Dichtung Zylinder/Gehäuse	2	
13	1A017866	Zylinder m. Kolben li.	1	

Einheit	Motor
Code	03.160
Beschreibung	Kurbelwelle
Inspektion	1



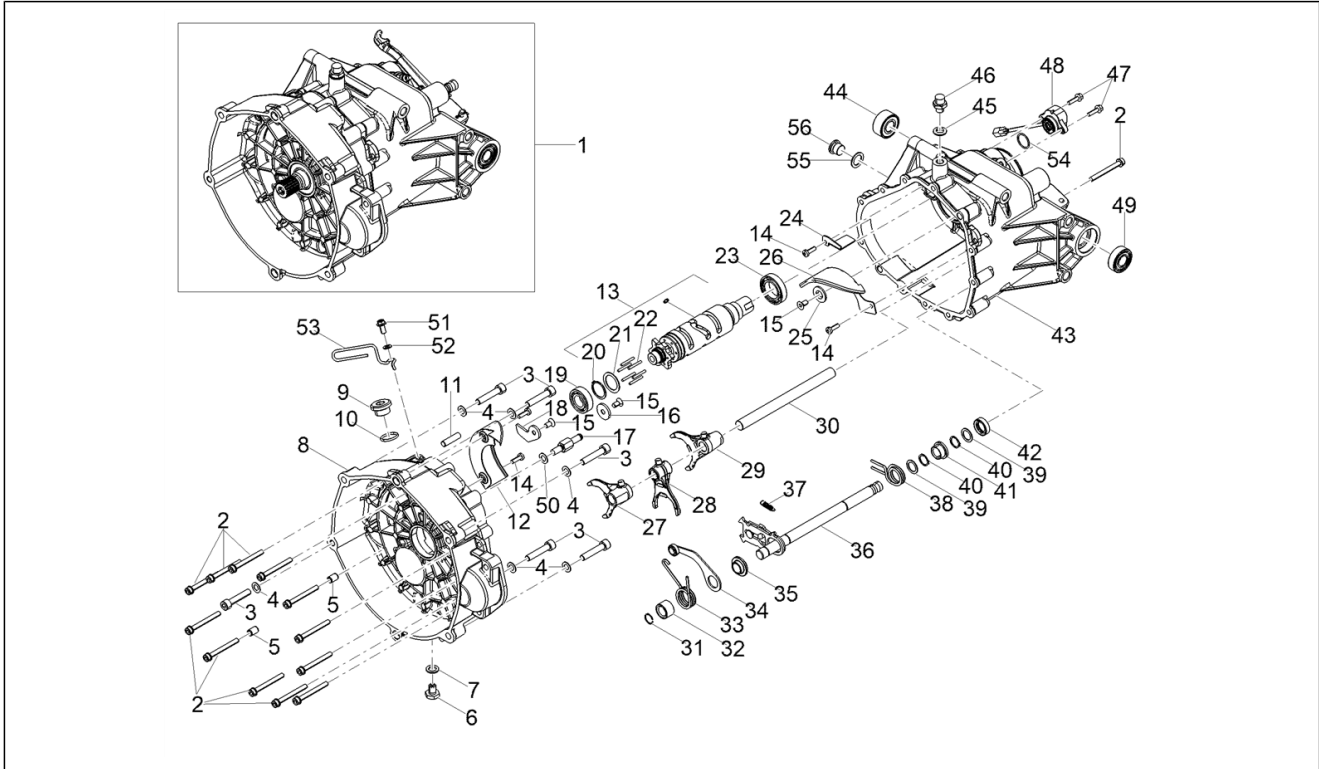
Pos.	Code	Beschreibung	Menge	Varianten
1	1A008014	Pleuelschraube	4	
2	1A007917E1	Pleuel Gewichtsklasse E1	1	
2	1A007917E2	Pleuel Gewichtsklasse E2	1	
2	1A007917E3	Pleuel Gewichtsklasse E3	1	
2	1A007917E5	Pleuel Gewichtsklasse E5	1	
2	1A007917E4	Pleuel Gewichtsklasse E4	1	
3	847906	Rolle	4	
4	1A0068960R	Pleuellagerschale Rot	4	
4	1A0068960G	Pleuellagerschale gelb	4	
4	1A0068960B	Pleuellagerschale blau	4	
5	1A017175E3	Kurbelwelle Gewichtsklasse E3	1	
5	1A017175E1	Kurbelwelle Gewichtsklasse E1	1	
5	1A017175E2	Kurbelwelle Gewichtsklasse E2	1	
5	1A017175E4	Kurbelwelle Gewichtsklasse E4	1	
5	1A017175E5	Kurbelwelle Gewichtsklasse E5	1	
6	1A014668	Verschlussschraube	1	
7	1A0066680N	Hauptlagerschale vorne Schwarz	2	
7	1A0066680G	Hauptlagerschale vorne gelb	2	
7	1A0066680V	Hauptlagerschale vorne Grün	2	
8	1A0066690V	Hauptlagerschale hinten Grün	2	
8	1A0066690N	Hauptlagerschale hinten Schwarz	2	
8	1A0066690G	Hauptlagerschale hinten gelb	2	
9	1A010753	Gasket ring 56x72x8	1	
10	GU27066460	Halb-Klemme	2	

Einheit	Motor
Code	03.170
Beschreibung	Schaltgetriebe / Schaltgabel / Desmodrom.
Inspektion	1



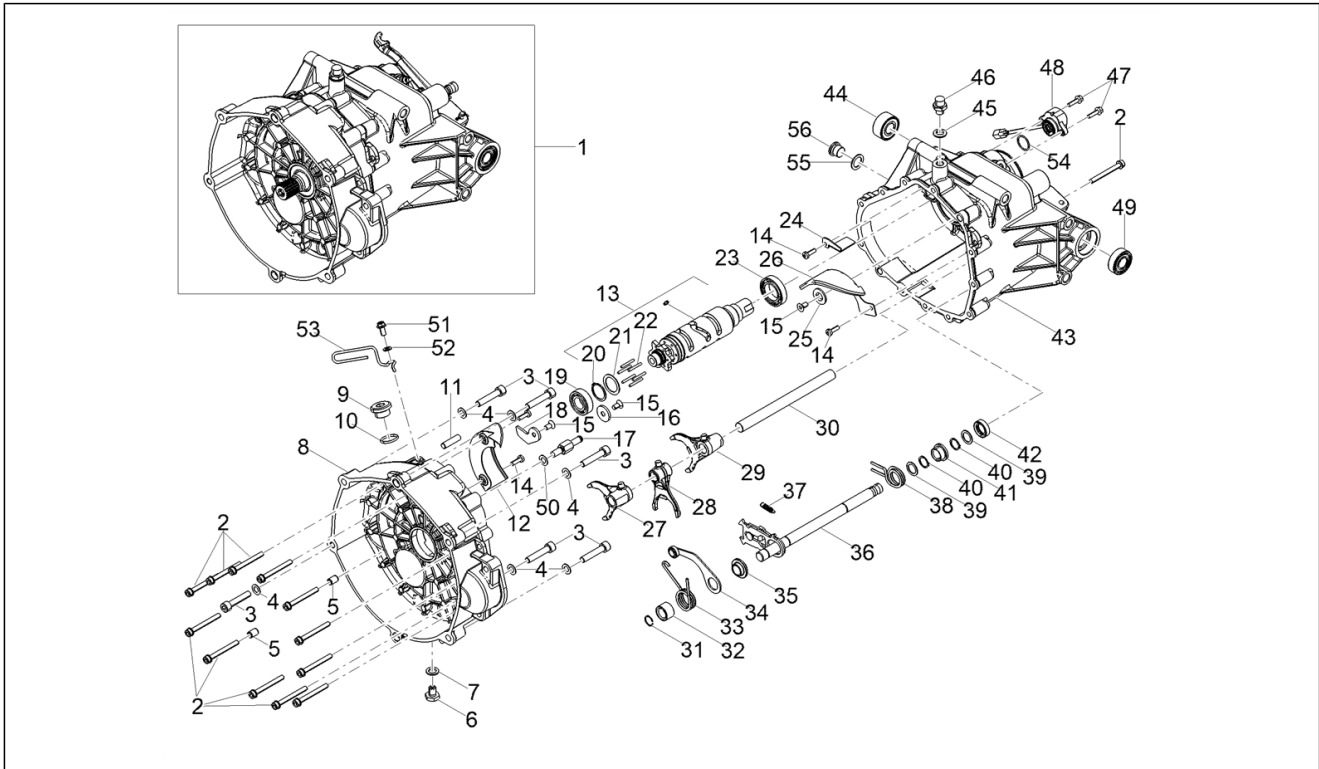
Pos.	Code	Beschreibung	Menge	Varianten
1	1A018208	[...]	1	
2	2A000591	Zylinderschraube M6x55	13	
3	GU98680440	TCEI Schraube M8x40	6	
4	658837	Gewellte Sprengscheibe D15 F8,4 S1,5 - INOX	6	
5	GU19002020	Buchse 6,6x9x13	2	
6	GU31003766	Ölablaßschraube M10x1	1	
7	GU10528900	Dichtung	1	
8	2A001132	Kupplungsglocke	1	
9	GU12022600	Ölschraube	1	
10	GU90706203	O-Ring 20,24X2,62	1	
11	B064079	Aufnahmebolzen	1	
12	2A001022	Ölabscheider	1	
13	2A000991	Verschiebenocken kplt.	1	Technische Spezifikation:OLD[OLD]
13	2A001047	Verschiebenocken kplt.	1	Technische Spezifikation:NEW[NEW]
14	2A000241	Schraube M5x16	4	
15	B013608	Schraube	4	
16	873928	Unterlegscheibe	1	
17	2A001139	Anschlagschraube	1	
18	2A001006	Platte	1	
19	834764	Lager	1	
20	GU90271022	Seegerring	1	
21	GU05235531	Scheibe	1	
22	2A000938	Stift	6	
23	857250	Kugellager 25x42x9	1	
24	2A001018	Platte	1	
25	2A001013	Ausgesenkte Unterlegscheibe	1	
26	2A001025	Ölabscheider	1	
27	2A000225	Gabel für Sekundärwelle	1	

Einheit	Motor
Code	03.170
Beschreibung	Schaltgetriebe / Schaltgabel / Desmodrom.
Inspektion	1



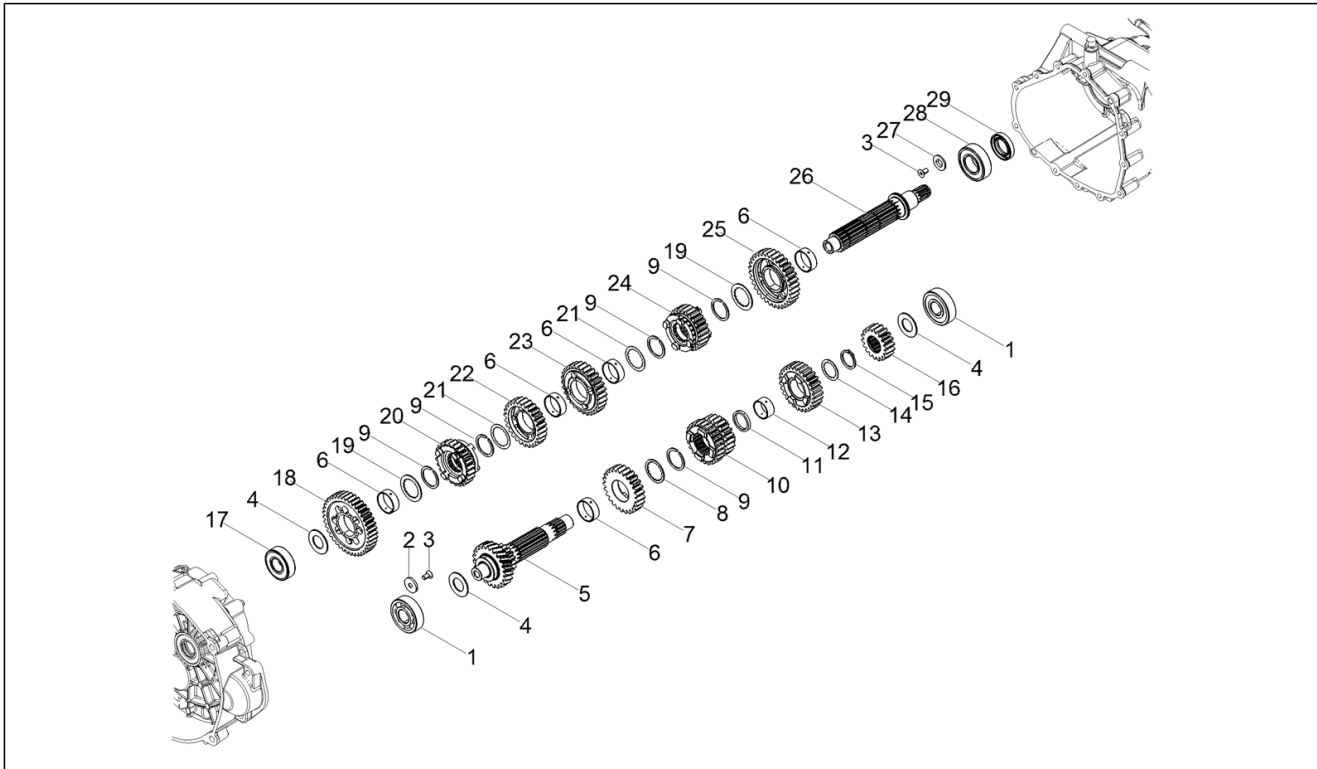
Pos.	Code	Beschreibung	Menge	Varianten
28	2A000832	Gabel 5.-6. Gang	1	
29	2A000226	Schaltgabel 2-3 Gang	1	
30	2A000224	Stange	1	
31	GU90353014	Seegerring	1	
32	GU05234230	Distanzscheibe	1	
33	B064113	Index feder	1	
34	B064112	Indexhebel kpl.	1	
35	GU05238431	Buchse	1	
36	2A000926	Schaltautomat	1	
37	GU05238231	Feder	1	
38	B063956	Feder	1	
39	GU05239330	Anlaufscheibe	1	
40	GU90271014	Seegerring	1	
41	2A000467	Distanzscheibe	1	
42	GU90401424	Gasket ring 14x24x7	1	
43	1A018180	Getriebegehäuse	1	
44	2A000981	Kugellager 3202-2RSH/C3	1	
45	GU01528930	Dichtung 10x18x1,5	1	
46	2A000823	Entlüftungsschraube	1	
47	1A003001	Sechskantschraube geflanscht	2	
48	1A018096R	Gear position sensor	1	
49	2A000097	Kugellager 6202-2RSH/C3 LHT23	1	
50	2A001050	Flachscheibe	1	
51	AP8152277	Sechskantschraube geflanscht M6x12	1	
52	GU95008206	Ausgleichscheibe 6,15x11x0,8	1	
53	2B001138	Kabelführung	1	
54	857494	O-Ring	1	
55	287174	Kupferdichtung	1	

Einheit	Motor
Code	03.170
Beschreibung	Schaltgetriebe / Schaltgabel / Desmodrom.
Inspektion	1



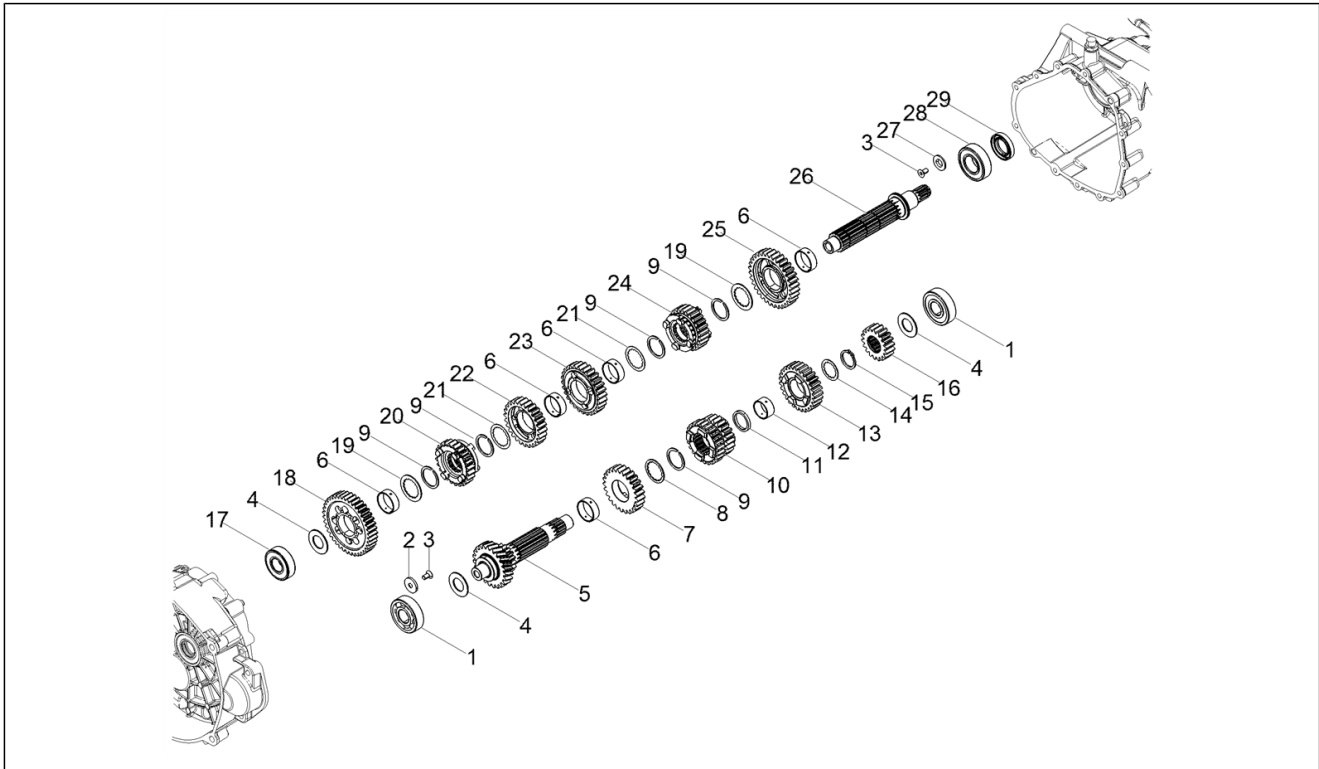
Pos.	Code	Beschreibung	Menge	Varianten
56	1A015068	Deckel	1	

Einheit	Motor
Code	03.180
Beschreibung	Schaltgetriebe - Zahnräder
Inspektion	1



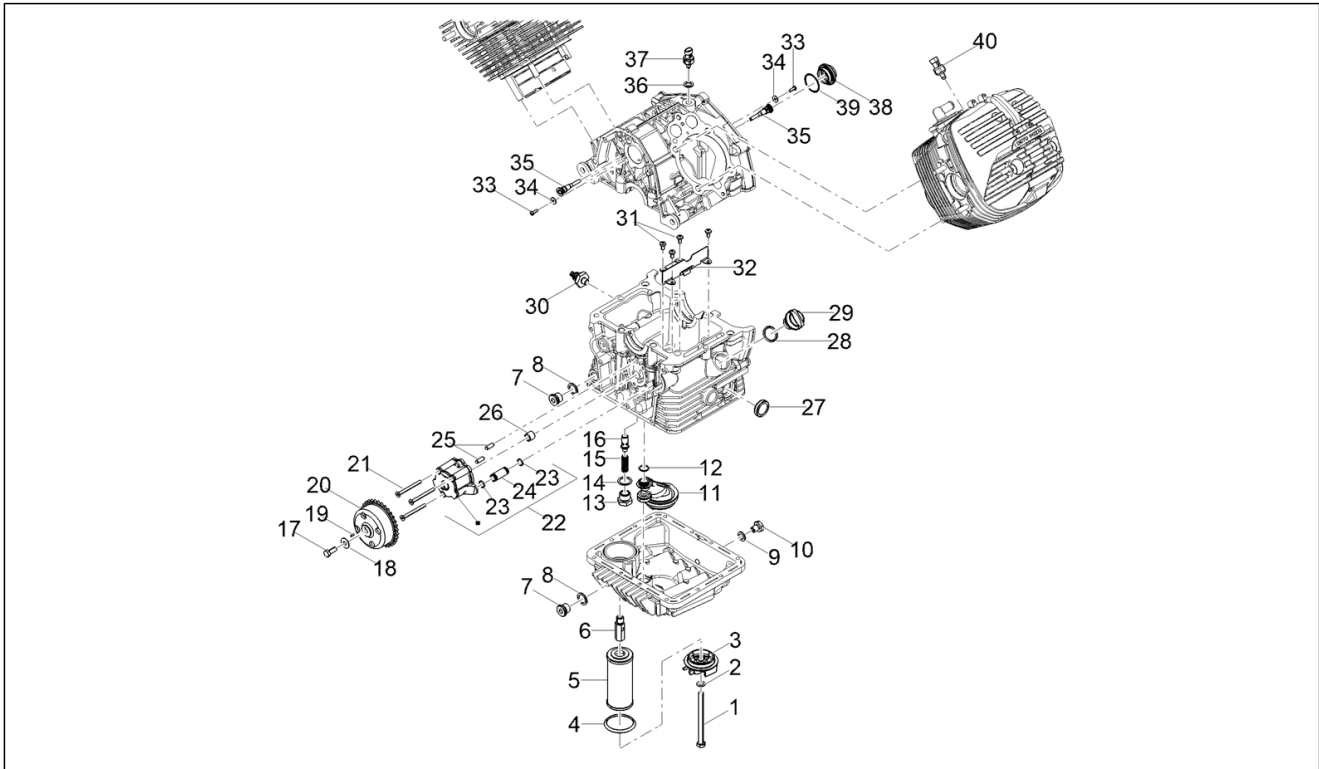
Pos.	Code	Beschreibung	Menge	Varianten
1	GU92201822	Kugellager 20x52x15	2	
2	873928	Unterlegscheibe	1	
3	B013608	Schraube	2	
4	1A000566	Ausgleichsscheibe	3	
5	2A001002	Vorgelegewelle	1	
6	849308	Buchse Beweglich	5	
7	1A000360	Schnellgangrad	1	
8	849424	Bundscheibe	1	
9	1A002604	Welle Sprengring	5	
10	1A000436	Schieberadgetriebe 3a - 4a vel.	1	
11	B015040	Ausgleichsscheibe	1	
12	974162	Buchse Beweglich	1	
13	1A000361	Zahnrad 6.Hauptwelle	1	
14	849396	Bundscheibe	1	
15	974165	Sprengring	1	
16	1A000365	Zahnrad 2.Hauptwelle	1	
17	2A001011	Lager 20x47x14	1	
18	2A000988	Zahnrad 1. Gang	1	
19	849309	Bundscheibe	2	
20	2A000989	Schnellgangrad	1	
21	849310	Bundscheibe	2	
22	1A000368	Zahnrad 4. Gang Z=26	1	
23	1A000367	Zahnrad 3. Gang Z=28	1	
24	1A000370	Zahnrad 6. Gang Z=24	1	Technische Spezifikation:OLD[OLD]
24	2A000947	Zahnrad 6. Gang	1	Technische Spezifikation:NEW[NEW]
25	1A000366	Zahnrad 2. Gang Z=32	1	Technische Spezifikation:OLD[OLD]
25	2A000948	Zahnrad 2. Gang an Vorgelegewelle	1	Technische Spezifikation:NEW[NEW]
26	2A000998	Nebentriebewelle	1	

Einheit	Motor
Code	03.180
Beschreibung	Schaltgetriebe - Zahnräder
Inspektion	1



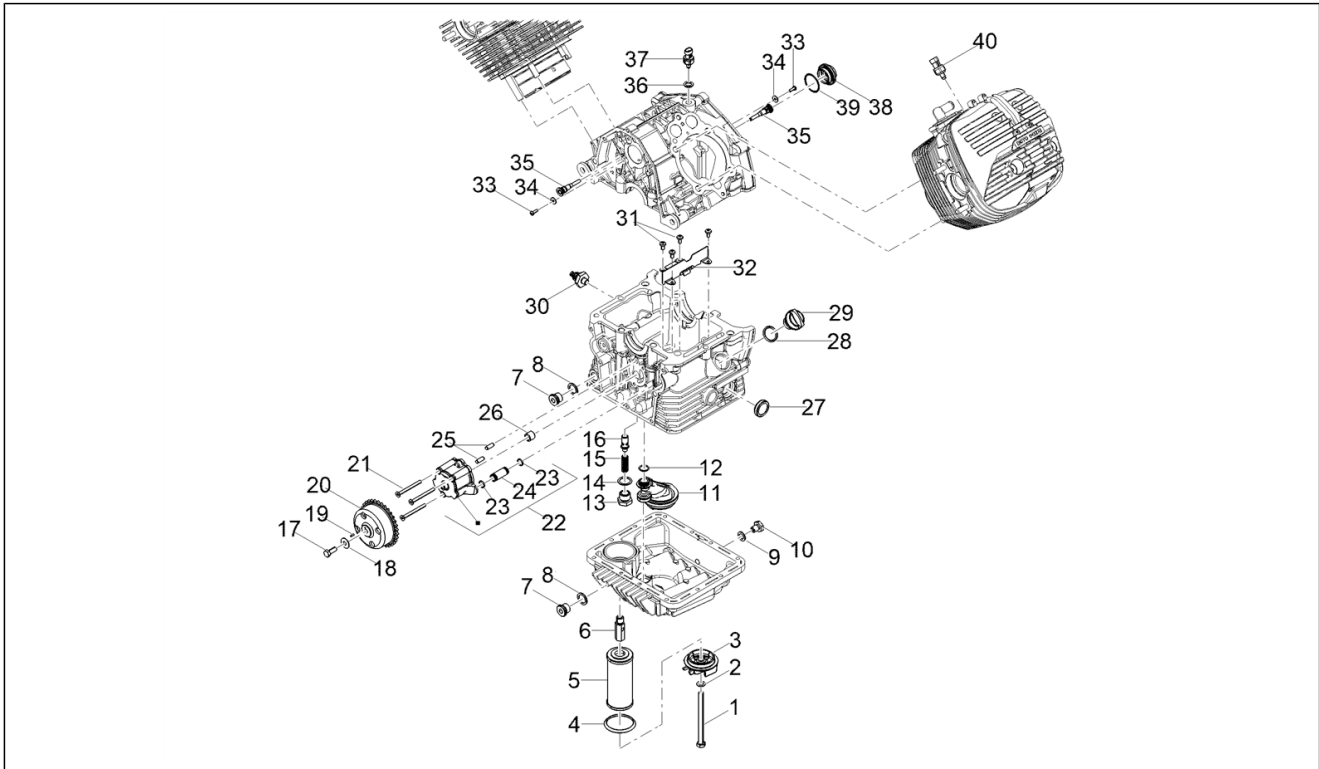
Pos.	Code	Beschreibung	Menge	Varianten
27	2A001013	Ausgesenkte Unterlegscheibe	1	
28	GU92201226	Kugellager 25x52x15	1	
29	873931	Gasket ring 40x25x7	1	

Einheit	Motor
Code	03.190
Beschreibung	Schmierung
Inspektion	1



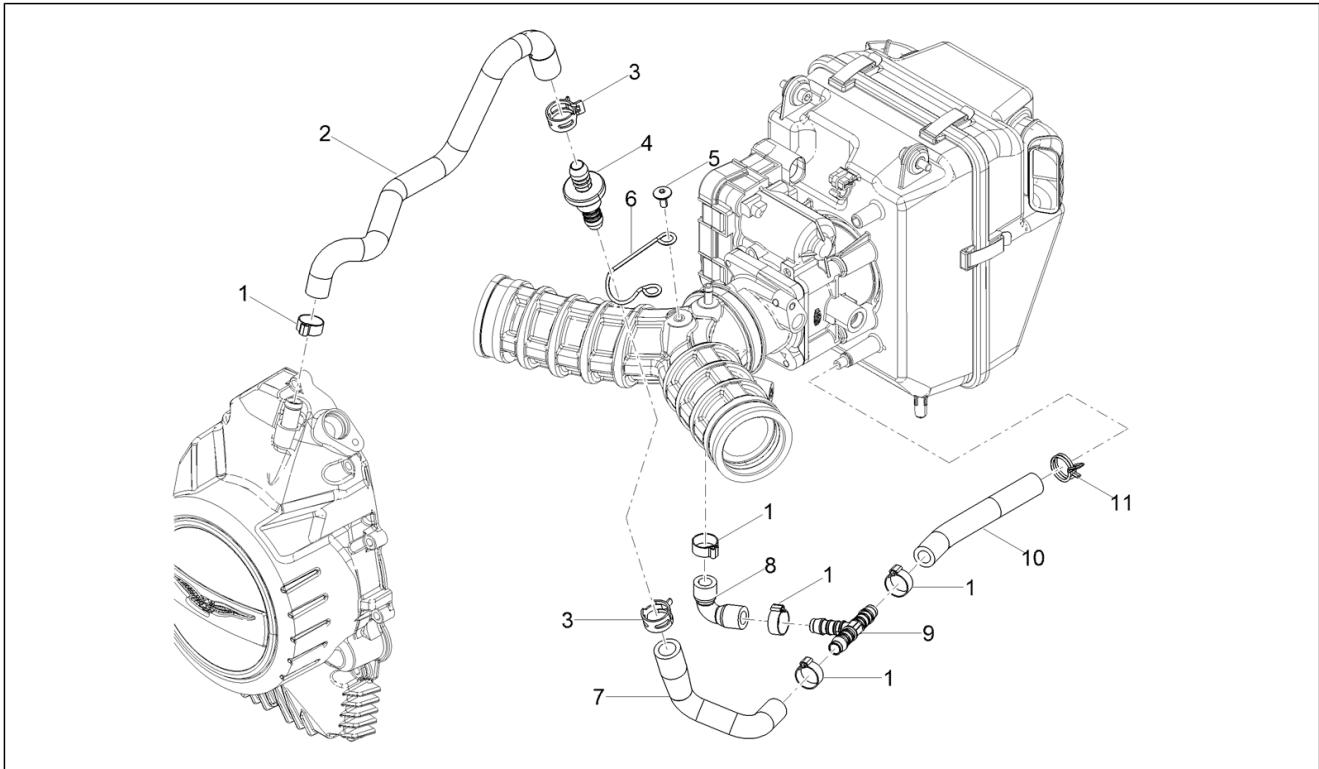
Pos.	Code	Beschreibung	Menge	Varianten
1	GU27152885	Schraubbolzen	1	
2	GU12154200	Dichtung 8,25x15x1	1	
3	1A013815	Ölfilterdeckel	1	
4	GU90706444	O-Ring	1	
5	2A000633	Ölfiltereinsatz	1	
6	GU19003800	Anschluss	1	
7	1A015068	Deckel	2	
8	287174	Kupferdichtung	2	
9	GU10528900	Dichtung	1	
10	GU31003766	Ölablaßschraube M10x1	1	
11	1A004549	Oil strainer	1	
12	237553	O-Ring	1	
13	GU31159050	Deckel	1	
14	GU18144350	Ausgleichscheibe 18,25x24x1	1	
15	GU94321079	Feder	1	
16	1A014844	Öl-druckreglerventil	1	
17	1A014410	Sechskantschraube M7x18 vorimprägniert	1	
18	1A014411	Tellerfeder	1	
19	GU92296723	Rolle	1	
20	1A015490	Zahnrad Ölpumpe	1	
21	1A008533	Senkschraube M5x55	3	
22	1A015236	Ölpumpe komplett	1	
23	1A008325	Dichtring (O-Ring)	2	
24	1A008291	Anschlußschlauch	1	
25	GU19018920	Stift	2	
26	976168	Nadelhülse 10x14x12	1	
27	485693	Ölstandzeiger	1	
28	1A014908	Dichtring (O-Ring)	1	

Einheit	Motor
Code	03.190
Beschreibung	Schmierung
Inspektion	1



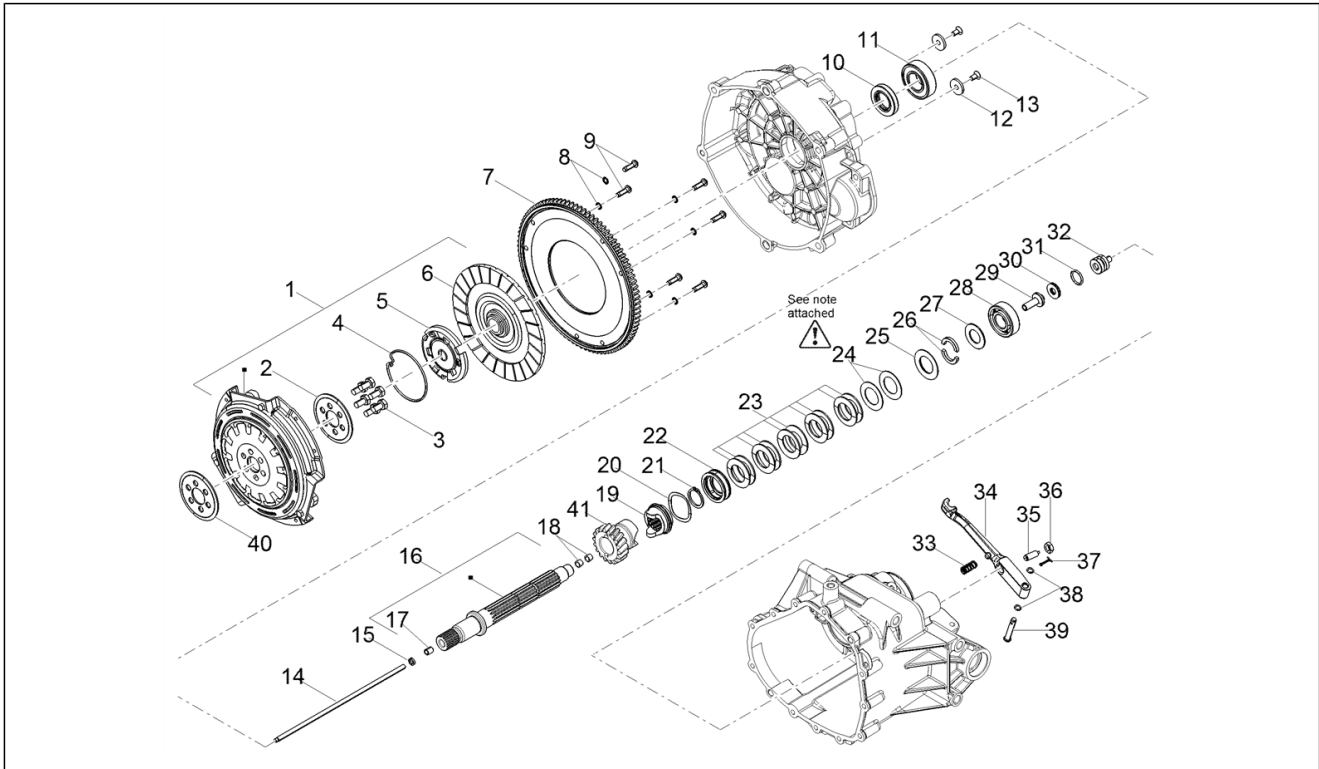
Pos.	Code	Beschreibung	Menge	Varianten
29	1A015819	Öleinfüllschraube	1	
30	1A017929	Öldrucksensor	1	
31	1A003111	Schraube TCIC M5x10	4	
32	1A008566	Abdeckungsblech	1	
33	1A005257	Linsenschraube torx	2	
34	013763	Flachscheibe 4,2x12x1	2	
35	1A004442	Kühlöse Kolben	2	
36	GU95100309	Ausgleichscheibe	1	
37	1A016442	Sensor temperatur	1	
38	B015598	Ölfiler Verschluss	1	
39	1A016739	Dichtung 31,47x1,78	1	
40	1A016442	Sensor temperatur	1	

Einheit	Motor
Code	03.196
Beschreibung	Anlage Blow-by
Inspektion	1



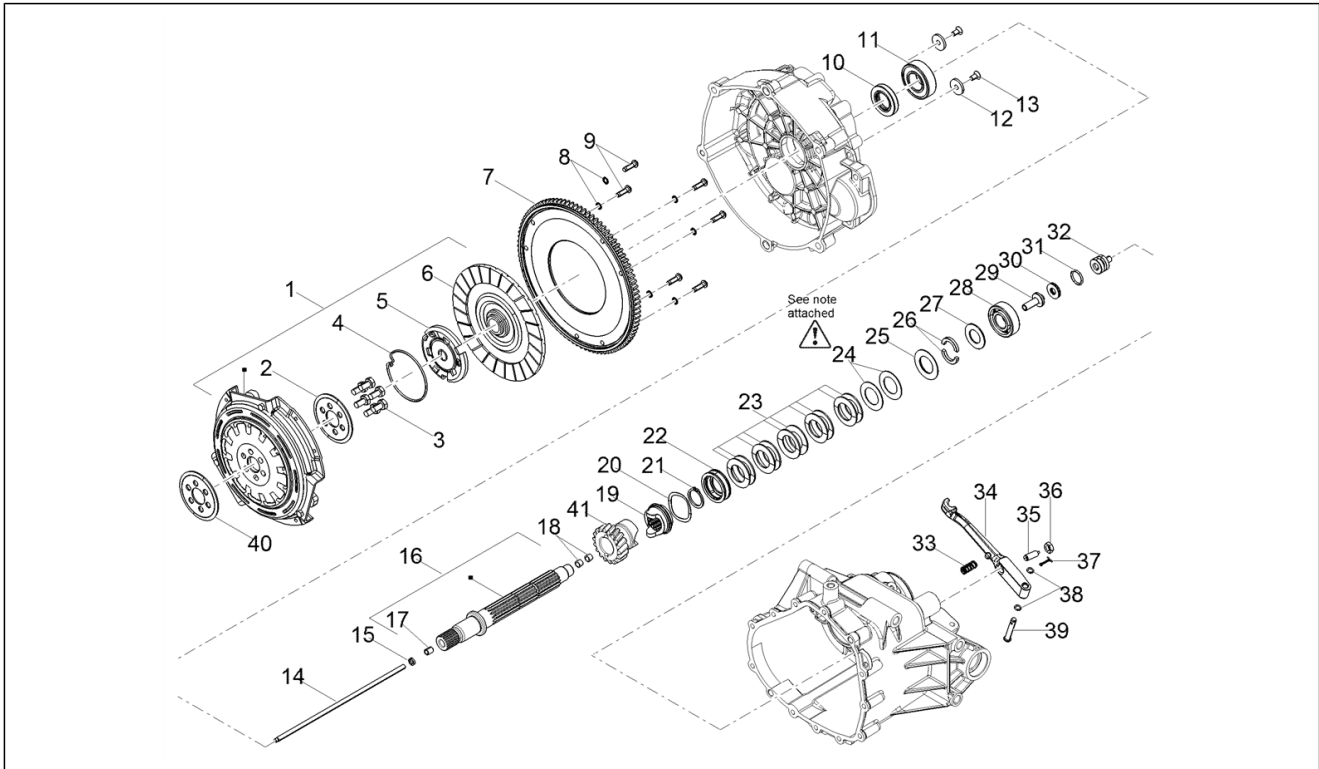
Pos.	Code	Beschreibung	Menge	Varianten
1	AP8102349	Schlauchschelle weiß D17,5x8	5	
2	2B005445	Blow-By-Leitung	1	
3	CM226902	Federschelle 19/12	2	
4	2B003105	Rückstauventil	1	
5	AP8150500	TBEI Schraube M5x9 NERINOX	1	
6	AP8114502	Kabelclip	1	
7	2B006204	Blow-by-Leitung	1	
8	2B006203	Blow-By-Leitung	1	
9	2B0061249	T-förmiger Anschluß	1	
10	2B006205	Blow-by-Leitung	1	
11	CM002912	Schlauchschelle	1	

Einheit	Motor
Code	03.230
Beschreibung	Kupplung
Inspektion	1



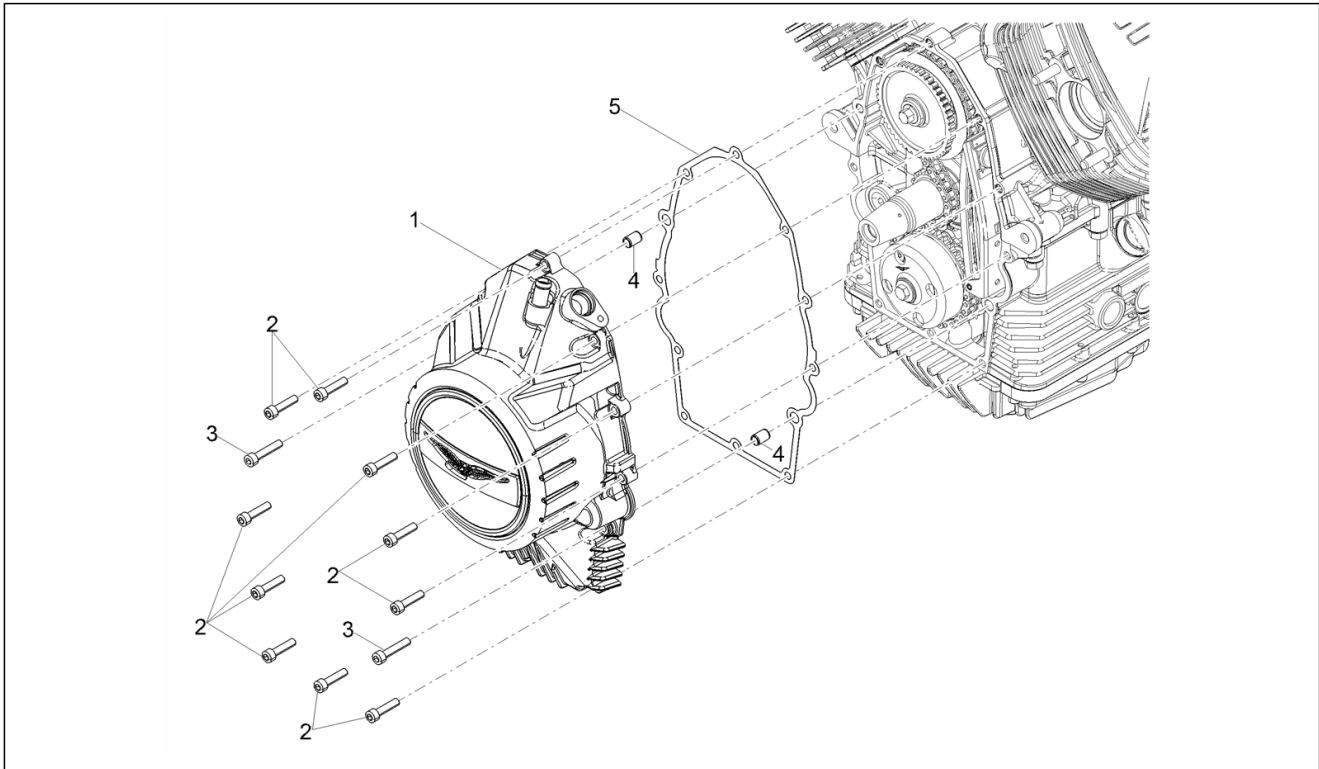
Pos.	Code	Beschreibung	Menge	Varianten
1	2A000968	Einscheibenkupplung	1	
2	2A000741	Stütze	1	
3	GU19067700	Schraube	6	
4	2A000418	Ring	1	
5	2A000638	Federteller	1	
6	2A000969	Getriebene Kuppl.scheibe	1	
7	2A000529	Anlasserzahnkranz	1	
8	GU14217901	Scheibe 6,4x10x0,7	6	
9	2A000774	Linsenschraube Torx M6X20	6	
10	2A001004	Gasket ring	1	
11	GU92201226	Kugellager 25x52x15	1	
12	873928	Unterlegscheibe	3	
13	B013608	Schraube	3	
14	2A000216	Regelstange	1	
15	2A000378	Gasket ring	1	
16	2A001008	Kupplungswelle	1	
17	GU05217630	Buchse	1	
18	GU14085900	Buchse	2	
19	2A000812	Hülse	1	
20	2A000818	Gewellte Unterlegscheibe	1	
21	974165	Sprengring	1	
22	2A000813	Druckplatte	1	
23	2A000816	Tellerfeder	10	
24	2A001054	Unterlegscheibe	2	
25	2A000817	Federauflageteller	1	
26	B063977	Halbring	2	
27	1A000566	Ausgleichsscheibe	1	
28	2A001035R	Kugellager 20x47x14	1	

Einheit	Motor
Code	03.230
Beschreibung	Kupplung
Inspektion	1



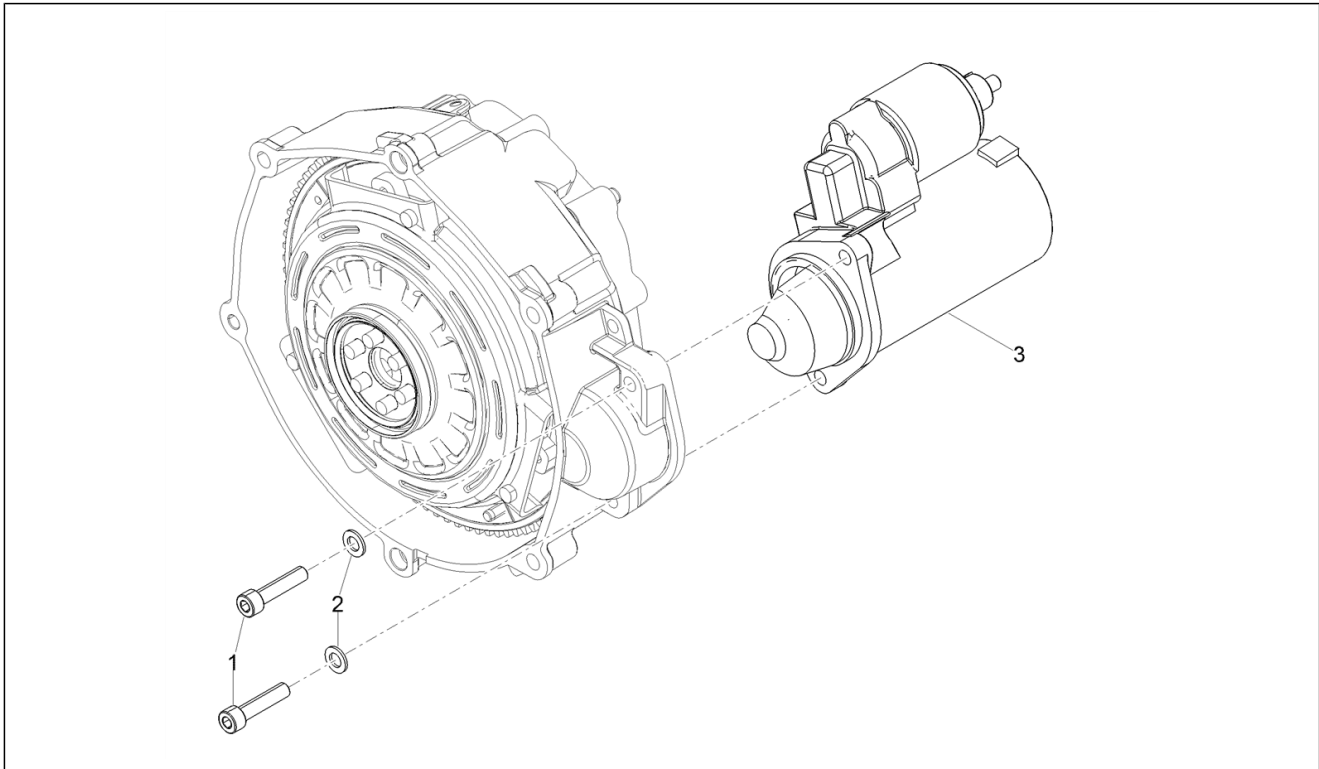
Pos.	Code	Beschreibung	Menge	Varianten
29	B013037	Kupplungswelle	1	
30	2A000376	Drucklager	1	
31	GU90706170	O-Ring 17,13x2,62	1	
32	GU14086100	Aussengehäuse	1	
33	GU94321105	Rückholfeder Starterhebel	1	
34	2A000631	Ausrueckwelle	1	
35	2A000838	Regelschraube	1	
36	GU92606508	Mutter	1	
37	GU95500222	Splint	1	
38	2A000385	O-Ring 6.5x1.5	2	
39	2A000384	Hebelbolzen	1	
40	1A009630	Kupplungsblech	1	
41	2A000901	Getriebezahnrad	1	

Einheit	Motor
Code	03.270
Beschreibung	Zuenderdeckel
Inspektion	1



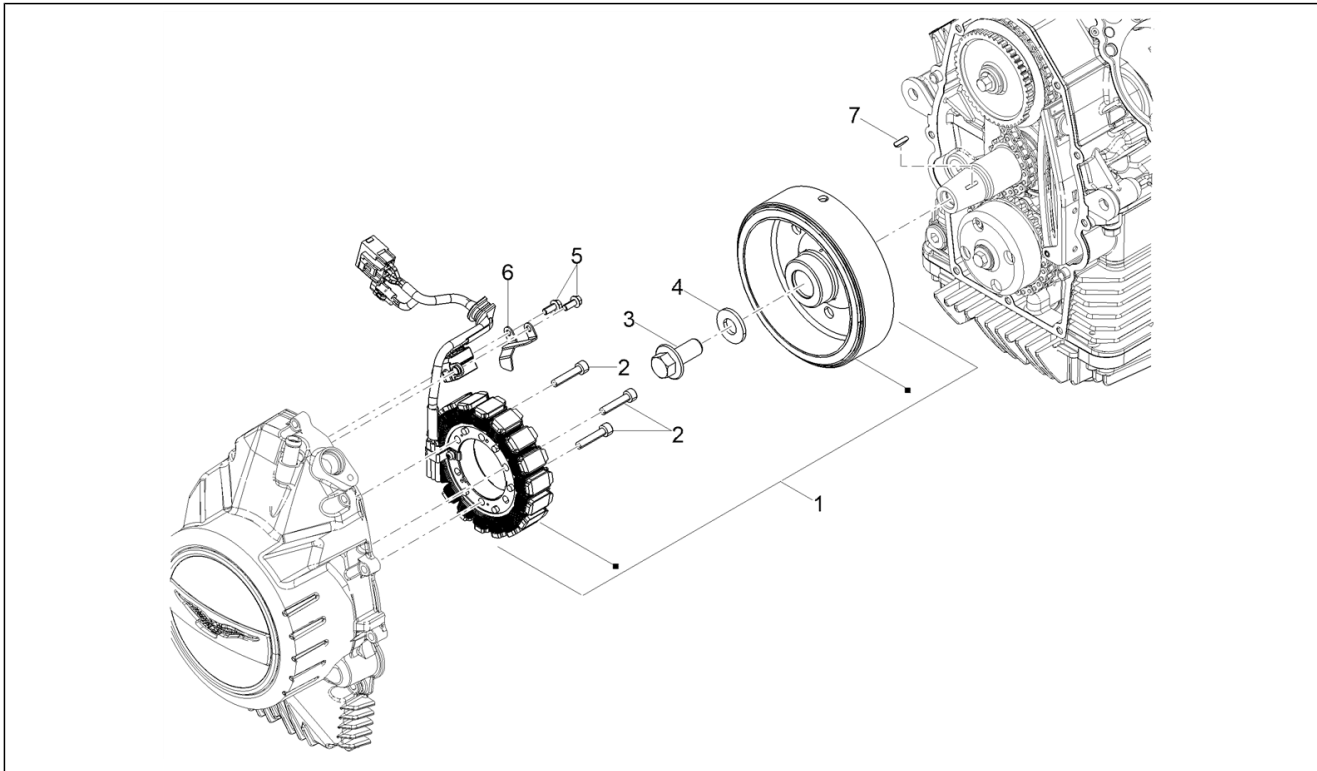
Pos.	Code	Beschreibung	Menge	Varianten
1	1A017002	Deckel	1	
2	GU98682325	TCEI Schraube M6x25	10	
3	GU98682330	TCEI Schraube M6x20	2	
4	GU19002020	Buchse 6,6x9x13	2	
5	887003	Deckeldichtung Kupplungsseite	1	

Einheit	Motor
Code	03.290
Beschreibung	Zündung / Elektrischer Anfang
Inspektion	1



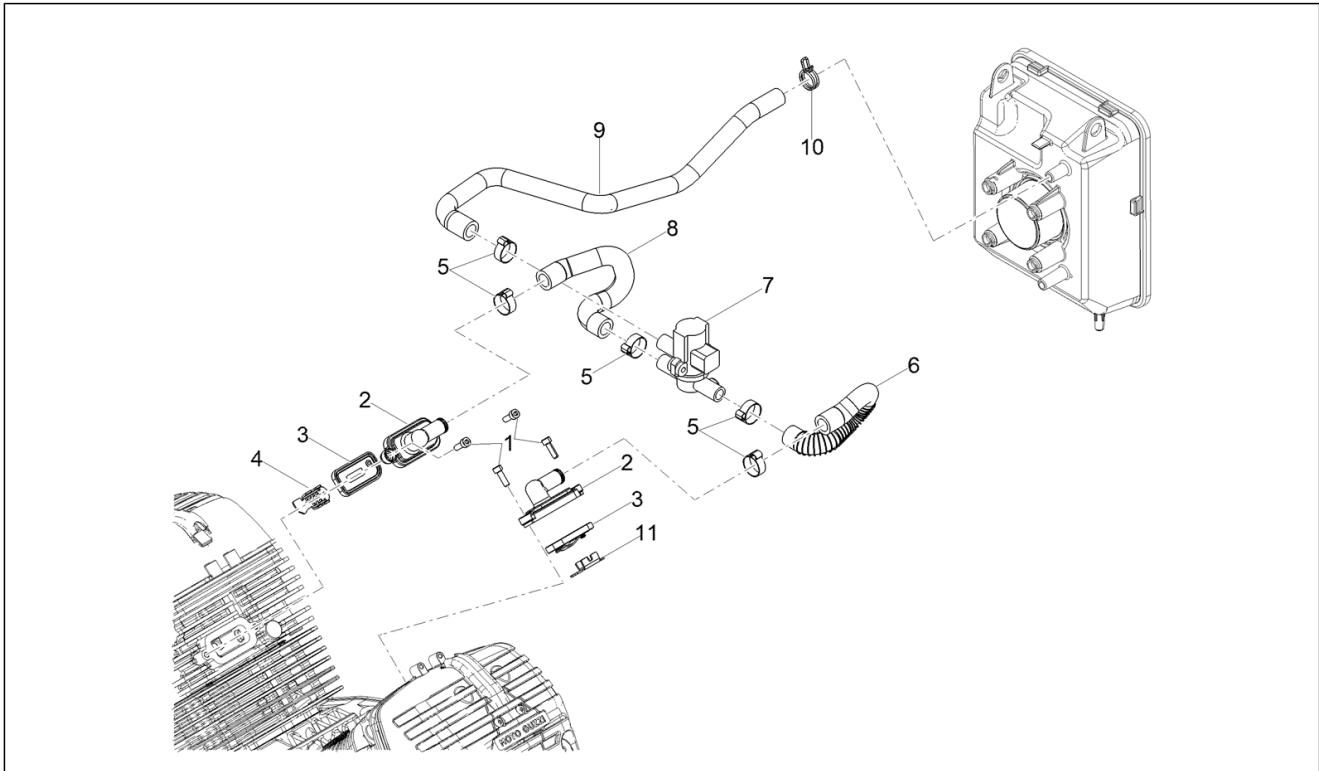
Pos.	Code	Beschreibung	Menge	Varianten
1	GU98682435	TCEI Schraube	2	
2	GU95008208	Ausgleichscheibe 8,4X15X1,5	2	
3	97729R	Startermotor	1	

Einheit	Motor
Code	03.300
Beschreibung	Schwungmagnetstarter / Zündung
Inspektion	1



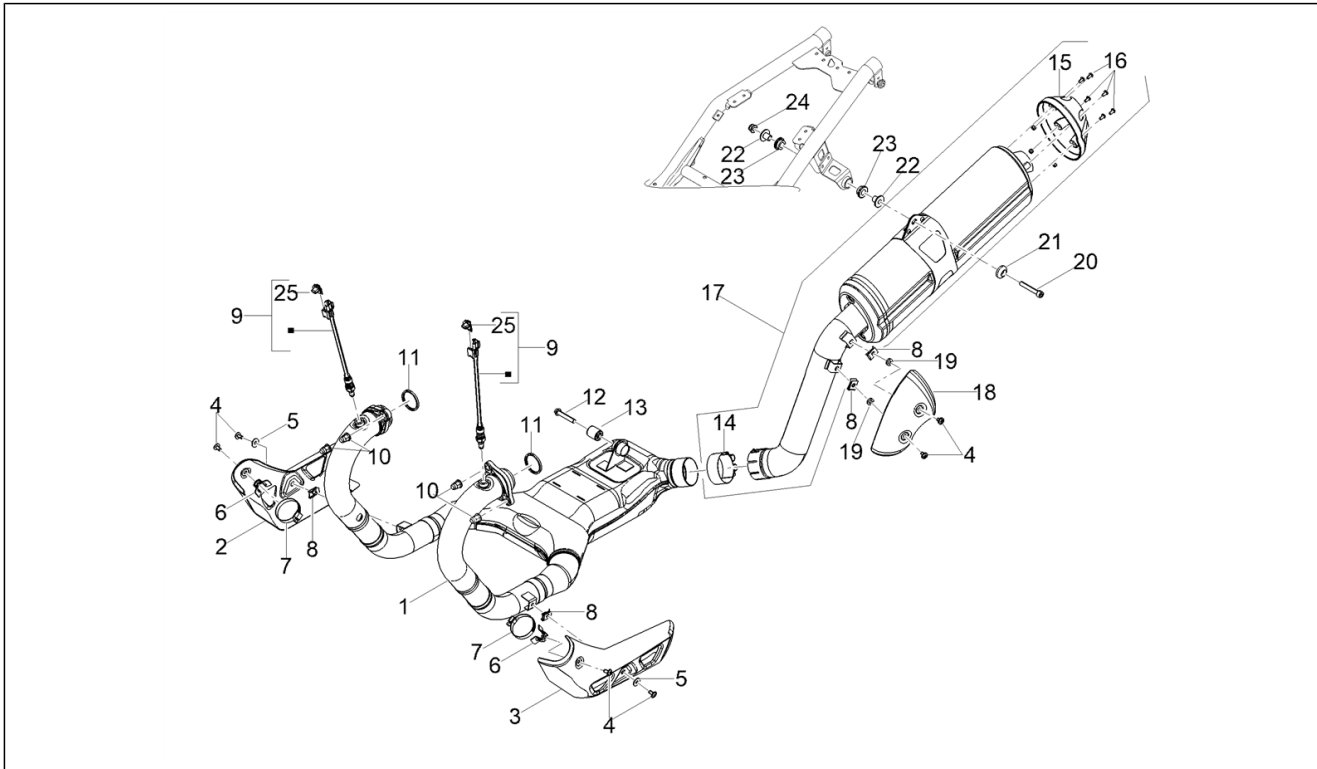
Pos.	Code	Beschreibung	Menge	Varianten
1	1A016500	Schwungmagnetzünder komplett	1	
2	GU98682330	TCEI Schraube M6x20	3	
3	B015563	TE Schr. m. Flansch M14x30	1	
4	825725	Flachscheibe 14.1x30x3	1	
5	1A015041	Schraube m5x12 torx	2	
6	1A014626	Platte	1	
7	000267	Keil	1	

Einheit	Motor
Code	03.320
Beschreibung	Secondary air
Inspektion	1



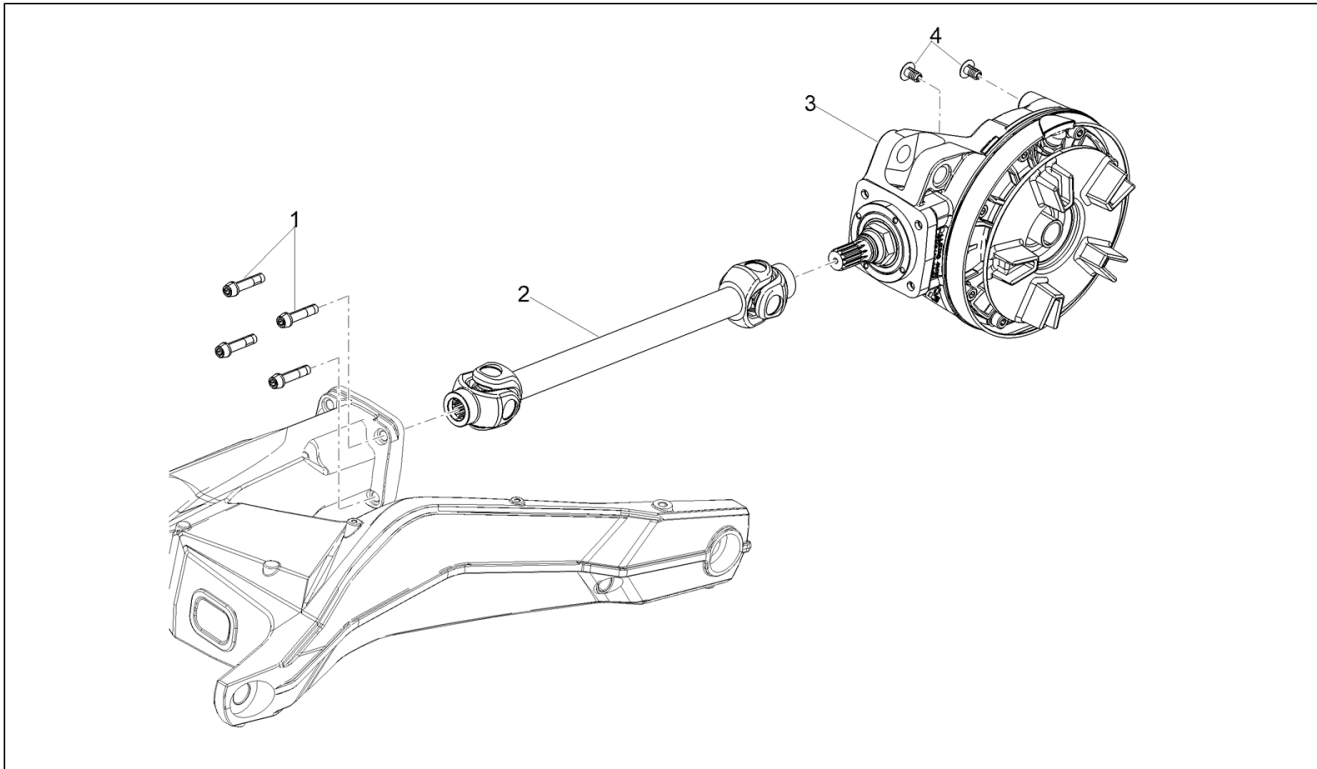
Pos.	Code	Beschreibung	Menge	Varianten
1	GU98612216	TCEI Schraube	4	
2	1A017801	Abdeckung	2	
3	857045	Reed valve	2	
4	857047	Spark arrester	1	
5	AP8102786	Schlauchschelle 20x8	5	
6	2B005159	Schlauch links SAS	1	
7	857181	SAS ventil	1	
8	2B005158	Schlauch rechts SAS	1	
9	2B005157	Leitung Filtergehäuse	1	
10	CM002912	Schlauchschelle	1	
11	857046	Spark arrester	1	

Einheit	Motor
Code	03.330
Beschreibung	Auspuffrohr
Inspektion	1



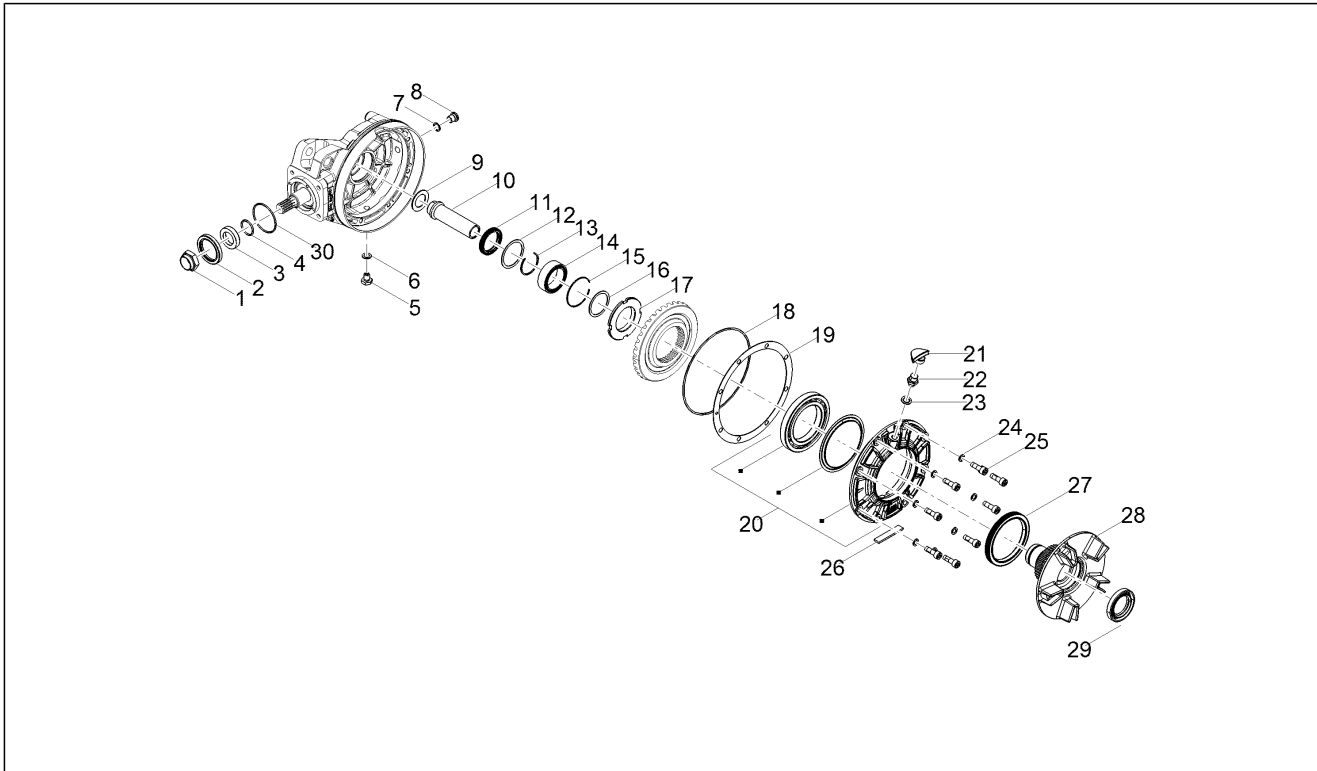
Pos.	Code	Beschreibung	Menge	Varianten
1	2B007418	Auslasskrümmer	1	
2	2B007640	Hitzeschutz rechts	1	
3	2B007641	Hitzeschutz links	1	
4	884043	TBEI Schraube m.Flansch M6x12	6	
5	AP8150378	Ausgleichscheibe 6,4x18x2	2	
6	2B007532	U-Bolzen Befestigung	2	
7	1A000833	Schlauchschele	2	
8	254485	Federplättchen M6	4	
9	1A014335	Lamdasonde	2	
10	2B007821	Hutmutter M8	4	
11	852090	Dichtung Auspuffrohr	2	
12	AP8152291	TE Schr. m. Flansch	1	
13	00H02201731	Schwingschutzlager	1	
14	2B006401	Schlauchschele	1	
15	2B005175	Boden	1	
16	2B007535	Linsenkopfschraube Torx M5x10 A2-70	6	
17	2B008574	Schalldämpfer	1	
18	2B005537	Schalldämpferschutz	6	
19	876879	Abstandhalter	2	
20	2B004771	Schraube TCEI M8x50	1	
21	AP8134378	Compass Anlage	1	
22	AP8121332	Buchse	2	
23	AP8144558	Gummi	2	
24	AP8152300	Selbstsperrende Mutter M8	1	
25	1A015201	Klammer	2	

Einheit	Motor
Code	03.340
Beschreibung	Getriebe kpl.
Inspektion	1



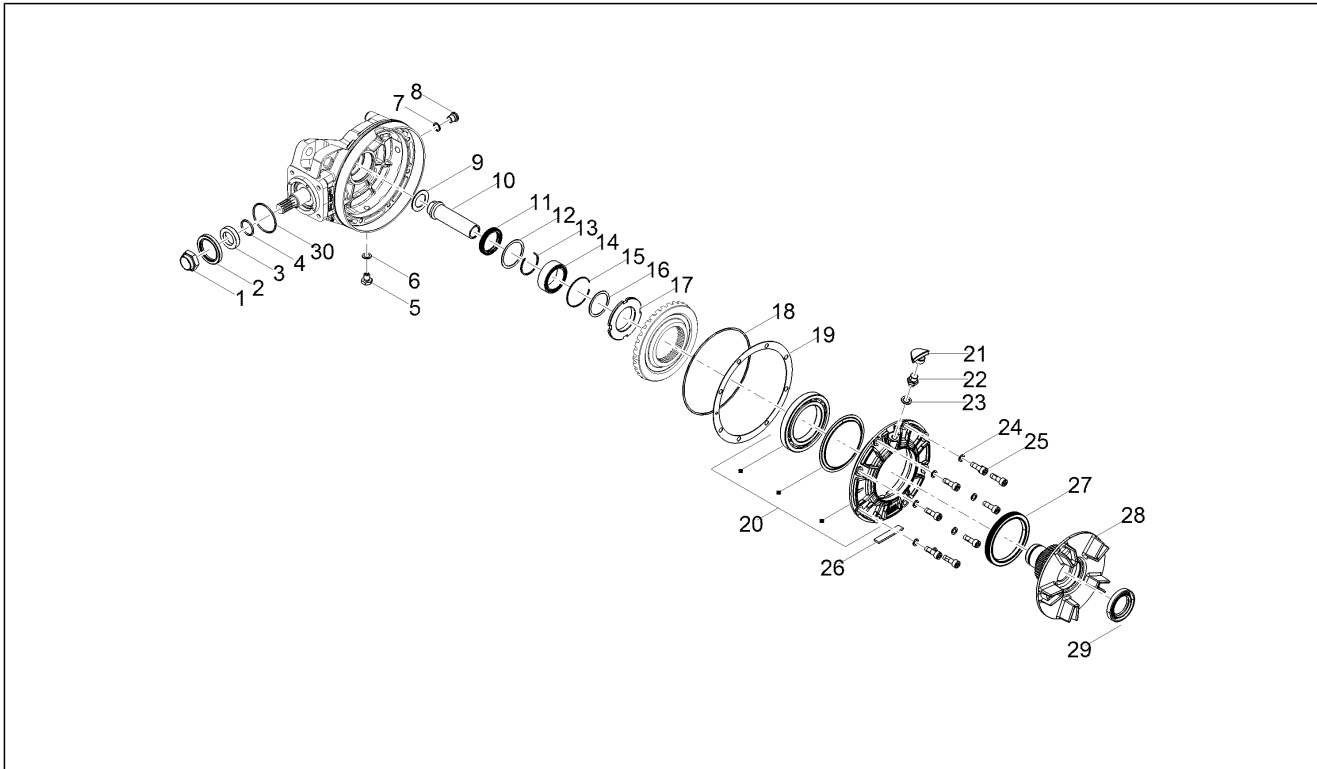
Pos.	Code	Beschreibung	Menge	Varianten
1	2B002699	Schraube TCC Torx M8x35 mit vorimpr. Bund	4	
2	2B004338	Getriebe	1	
3	2B0068275	Getriebe komplett	1	
4	AP8102600	Deckel	2	

Einheit	Motor
Code	03.350
Beschreibung	Getriebedeckel
Inspektion	1



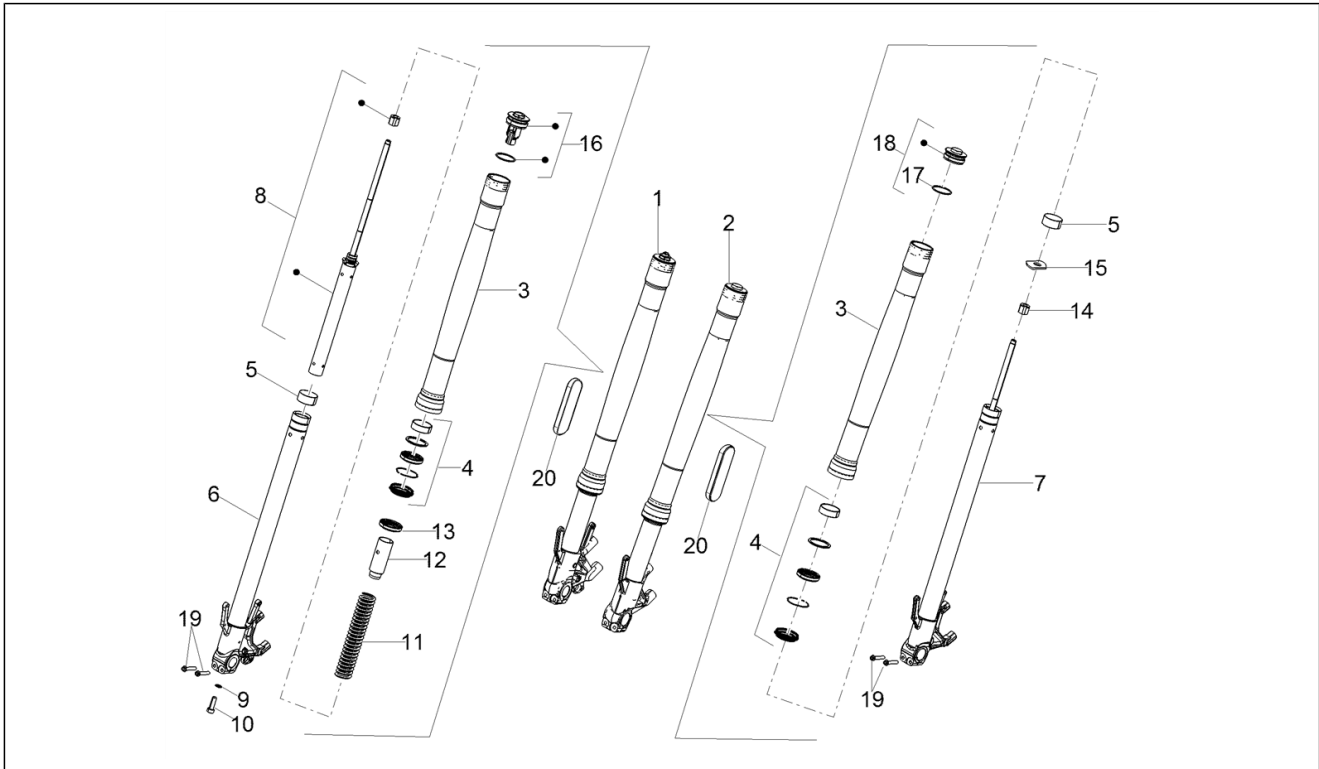
Pos.	Code	Beschreibung	Menge	Varianten
1	2B005012	Mutter	1	
2	2B000404	Gasket ring	1	
3	2B001311	Distanzscheibe	1	
4	GU90706188	Gasket ring 18,77X1,78	1	
5	GU31003766	Ölablaßschraube M10x1	1	
6	GU01528930	Dichtung 10x18x1,5	1	
7	224566	Unterlegscheibe	1	
8	GU05351230	Ölschraube M12x1,5	1	
9	GU37359005	Ausgleichscheibe	1	
10	2B007257	Abstandstück Rad	1	
11	GU90413850	Gasket ring 38X50X7	1	
12	GU12351100	Gasket ring	1	
13	2B002200	Wellenscheibe	1	
14	2B006088R	Rollenlager 40x55x17	1	
15	B064304	Segerring	1	
16	GU19351100	Bundscheibe	1	
17	2B002536	Gewindinger Befestigung Zahnkranz	1	
18	GU90706958	O-Ring 158,42X2,62	1	
19	GU04355100	Scheibe 0,6 mm	1	
19	GU04355101	Scheibe 0,7 mm	1	
19	GU04355104	Scheibe 1 mm	1	
19	GU04355105	Scheibe 1,1 mm	1	
19	GU04355106	Scheibe 1,2 mm	1	
19	GU04355103	Scheibe 0,9 mm	1	
19	GU04355102	Scheibe 0,8 mm	1	
20	2B006110	Flansch	1	
21	2B002807	Kappe	1	
22	2A000823	Entlüftungsschraube	1	

Einheit	Motor
Code	03.350
Beschreibung	Getriebedeckel
Inspektion	1



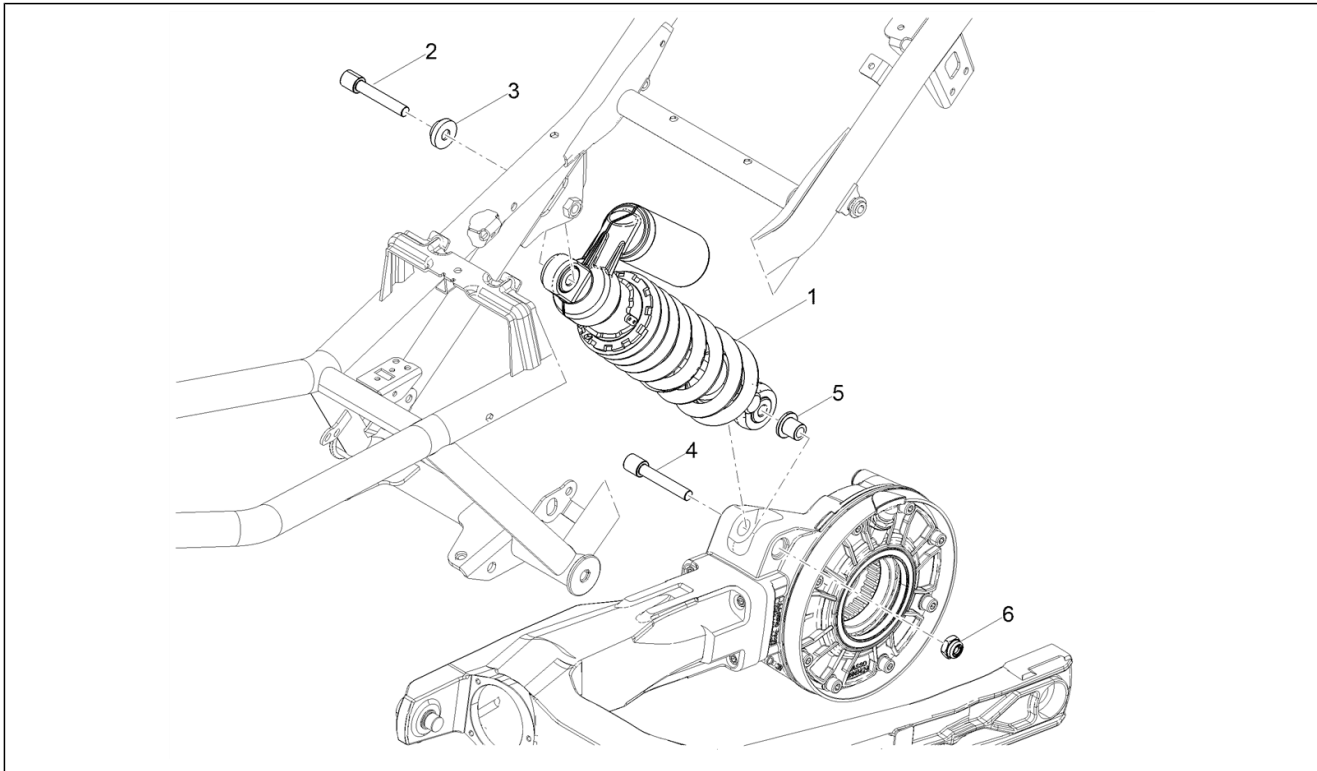
Pos.	Code	Beschreibung	Menge	Varianten
23	GU01528930	Dichtung 10x18x1,5	1	
24	GU14615901	Ausgleichscheibe 8,4X13X0,8	8	
25	2B002171	TC Schraube 8x25	8	
26	2B006064	Filz	1	
27	2B002535	Gasket ring 80x100x10	1	
28	2B006860R	Dämpfernabe	1	
29	2B007243	Gasket ring 26x42x7	1	
30	GU90706584	Dichtung 58,42x2,62	1	

Einheit	Radaufhängungen
Code	04.040
Beschreibung	Vorderradgabel Kayaba
Inspektion	1



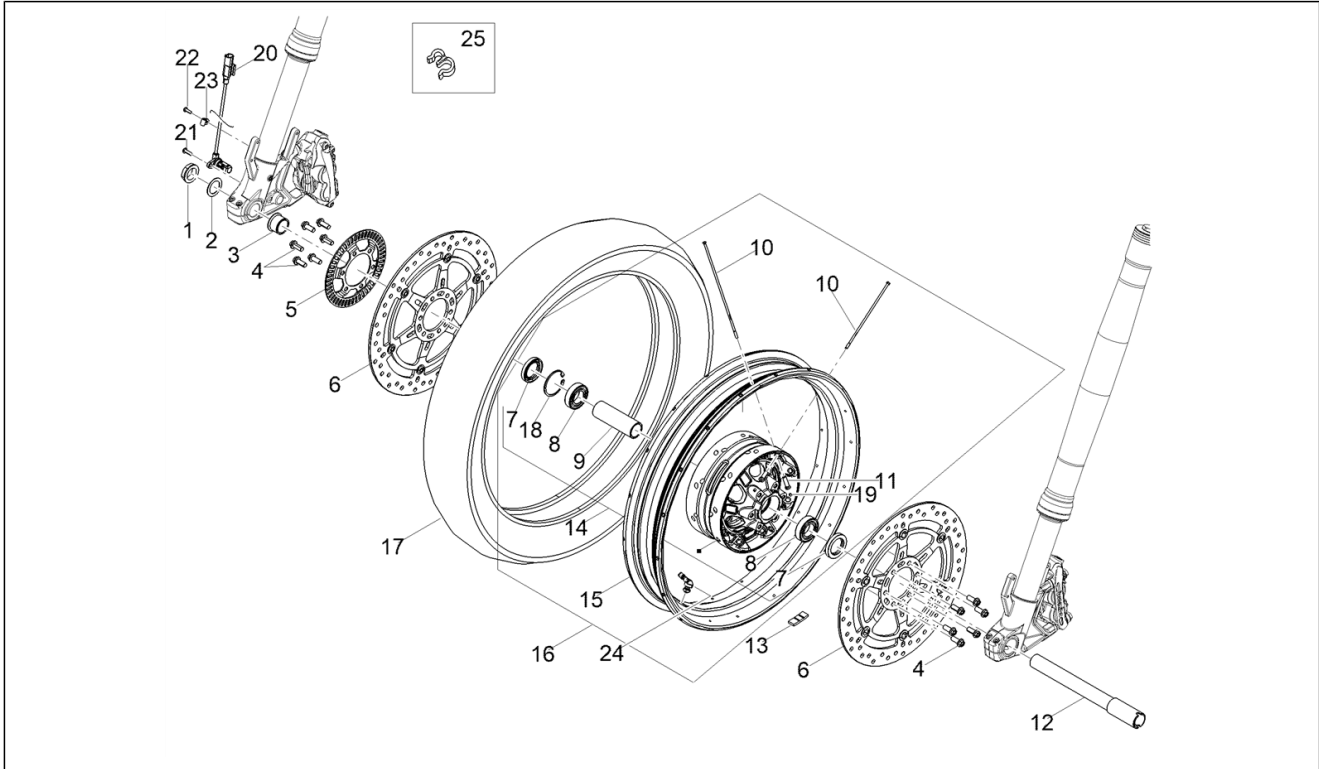
Pos.	Code	Beschreibung	Menge	Varianten
1	2B004749	Kolbenstange rechts kpl.	1	
2	2B004748	Kolbenstange links kpl.	1	
3	2B006100	Hülse	2	
4	2B006105	Mot.Ölabstreifring set	2	
5	2B004403	Buchse	2	
6	2B006102	Kolbenstange rechts	1	
7	2B006101	Kolbenstange links	1	
8	2B006103	Pumpenrad	1	
9	2B004406	Flachscheibe	1	
10	2B004407	Schraube	1	
11	2B004420	Feder	1	
12	2B006104	Vorspannrohr	1	
13	2B004422	Unterlegscheibe	1	
14	2B004410	Puffer	1	
15	2B004411	Mutter	1	
16	2B004412	Geflanschte Mutter	1	
17	2B004414	O-Ring	1	
18	2B004413	Verschlusschraube mit OR	1	
19	AP8150285	TCEI Schraube M6x35	4	
20	GU05781630	Rückstrahler, gelb	2	

Einheit	Radaufhängungen
Code	04.080
Beschreibung	Stoßdämpfer
Inspektion	1



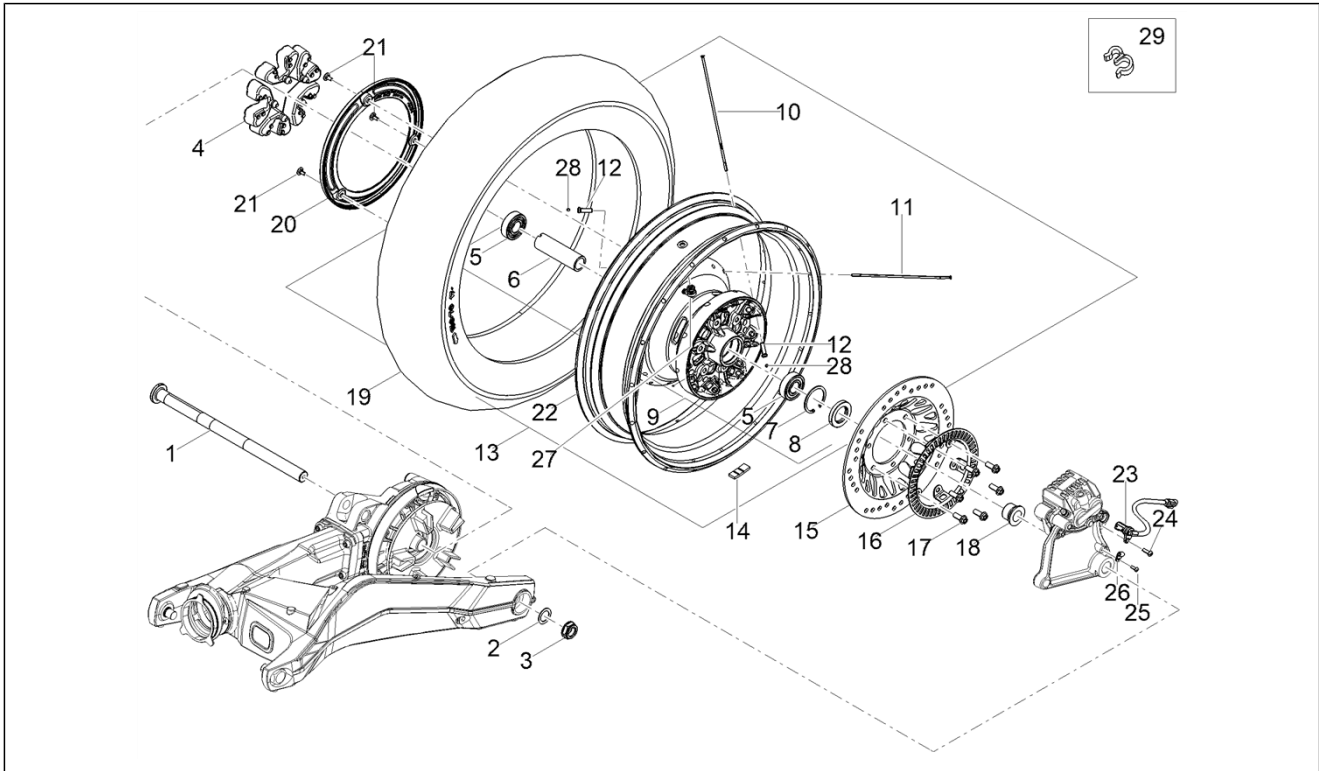
Pos.	Code	Beschreibung	Menge	Varianten
1	2B004591	Stossdämpfer hinten	1	
2	AP8150048	TCEI Schraube	1	
3	AP8121615	Fixierhülse Schalldämpfer	1	
4	AP8152411	TCEI Schraube M10x59	1	
5	AP8121155	T-Buchse *	1	
6	AP8152301	Selbstsperrende Mutter	1	

Einheit	Räder
Code	05.010
Beschreibung	Vorderrad
Inspektion	1



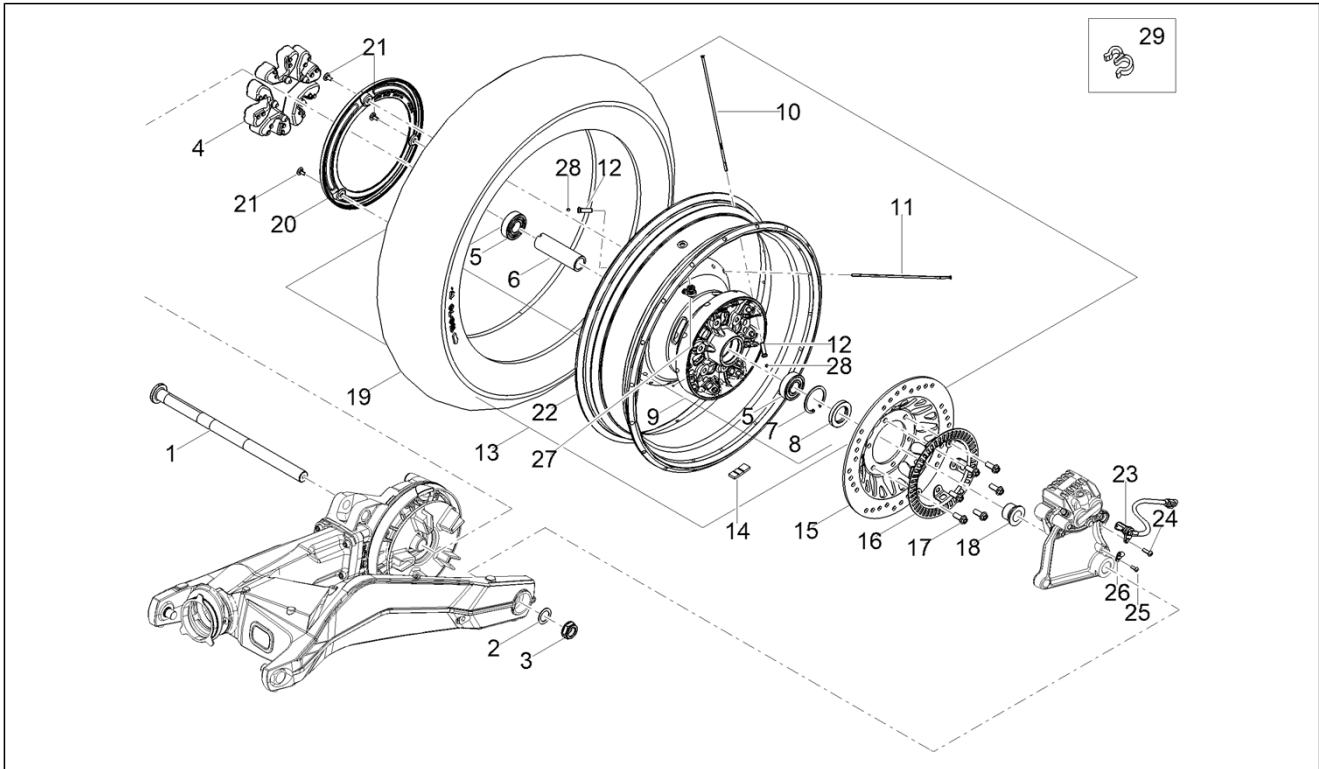
Pos.	Code	Beschreibung	Menge	Varianten
1	GU01612190	Mutter	1	
2	GU95005325	Ausgleichscheibe 25,2X36X1	1	
3	978498	Distanzscheibe	1	
4	2B002416	TE Schr. m. Flansch M8x20	12	
5	2B004778	Hallgeber ABS	1	
6	883688	Vorderradbremsscheibe 320	2	
7	AP8125773	Gasket ring 30x47x7	2	
8	AP8125777	Kugellager 25x47x12	2	
9	978516	Distanzstück Lager	1	
10	2B007335	Speiche	36	
11	2B007846	Nippel	36	
12	2B004305	Vorderradbolzen	1	
13	GU14616150	Gegengewicht	1	
14	2B007333	Vorderradnabe komplett	1	
15	2B007332	Vorderradfelge 2.50x19"	1	
16	2B007331	Vorderrad komplett mit Lagern	1	
17	2B006753	Vorderreifen 110/80 R 19 M/C 59V Dunlop	1	Technische Spezifikation: V85 TT[BASE]
17	2B006067	Vorderreifen 110/80 R 19 59V TL/TT Michelin	1	Technische Spezifikation: V85 TT Evocative[SP]
17	2B004302	Vorderreifen 110 80 R19 M/C 59V TL Pirelli	1	Technische Spezifikation: V85 TT[BASE]
18	AP8125842	Sprengring d47	1	
19	AP8150491	Feststellschraube	36	
20	859792	ABS-Sensor	1	
21	1C001499	Schraube TBEI TORX M5x16 INOX	1	
22	581957	Schraube gewölbter Kopf Sechskant vertieft	1	
23	859777	Kabelführung	1	
24	AP8104728	Schlauchloses Reifenventil 90°	1	
25	894704	Kabelführung	3	

Einheit	Räder
Code	05.020
Beschreibung	Hinterrad
Inspektion	1



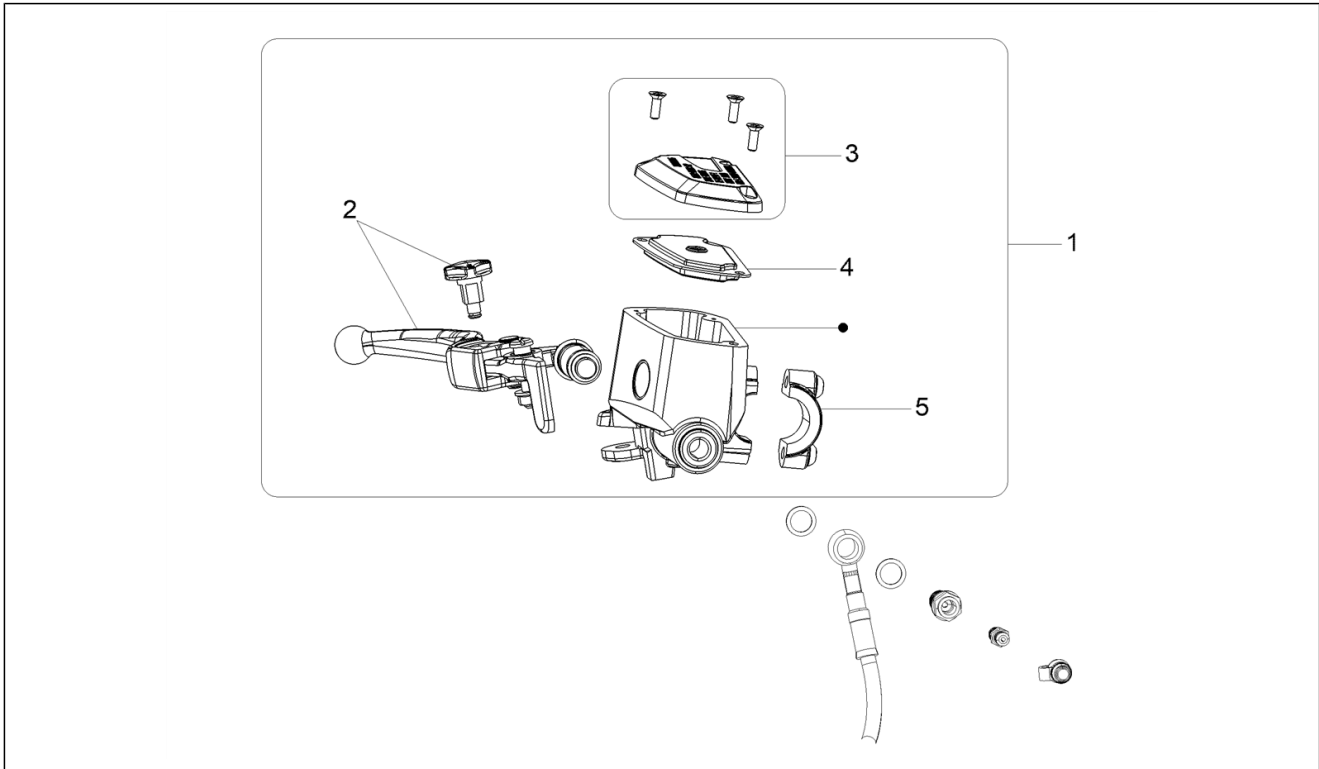
Pos.	Code	Beschreibung	Menge	Varianten
1	2B004693	Hinterradbolzen	1	
2	AP8125687	U-scheibe Hint.radbolz	1	
3	648708	Hinterradbolzen mut.	1	
4	B064290	Gummipuffer Torsionsdämpfer	5	
5	GU92204220	Kugellager 20X47X14	2	
6	2B001278	Innerer Abstandhalter Hinterrad	1	
7	GU90272047	Seegerring 47X50,5	1	
8	AP8110109	Gasket ring 28X47X7	1	
9	2B007321	Nabe hinten kpl.	1	
10	2B007325	Speiche 3,5x195	18	
11	2B007324	Speiche 3,5x163	18	
12	2B007846	Nippel	36	
13	2B007319	Hinterrad komplett mit Nabe	1	
14	GU14616150	Gegengewicht	1	
15	887448	Bremsscheibe	1	
16	2B004396R	Phonic wheel	1	
17	2B002416	TE Schr. m. Flansch M8x20	6	
18	2B001956	Hinterrad Distanzscheibe	1	
19	2B006066	Hinterer Reifen 150/70 R 17 69V TL/TT Michelin	1	Technische Spezifikation:V85 TT Evocative[SP]
19	2B006754	Hinterer Reifen 150/70 R17 M/C 69V Dunlop	1	Technische Spezifikation:V85 TT[BASE]
19	2B004442	Hinterer Reifen 150/70 R17 M/C 69V TL Pirelli	1	Technische Spezifikation:V85 TT[BASE]
20	2B007323	Deckel	1	
21	AP8150500	TBEI Schraube M5x9 NERINOX	3	
22	2B007320	Hinterradfelge 4,25x17"	1	
23	859792	ABS-Sensor	1	
24	1C001499	Schraube TBEI TORX M5x16 INOX	1	
25	581957	Schraube gewölbter Kopf Sechskant vertieft	1	
26	859777	Kabelführung	1	

Einheit	Räder
Code	05.020
Beschreibung	Hinterrad
Inspektion	1



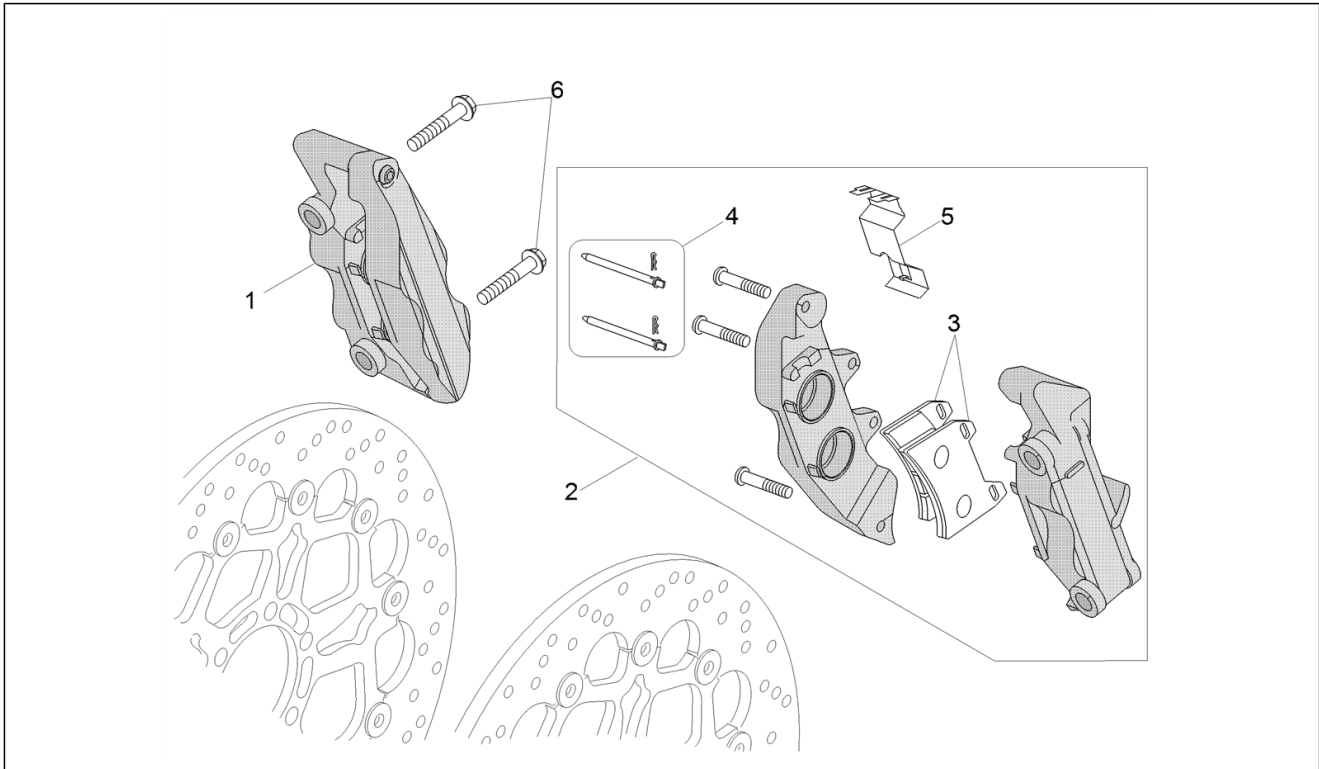
Pos.	Code	Beschreibung	Menge	Varianten
27	AP8104728	Schlauchloses Reifenventil 90°	1	
28	AP8150491	Feststellschraube	36	
29	894704	Kabelführung	3	

Einheit	Bremsanlage
Code	06.010
Beschreibung	Vorderradbremspumpe
Inspektion	1



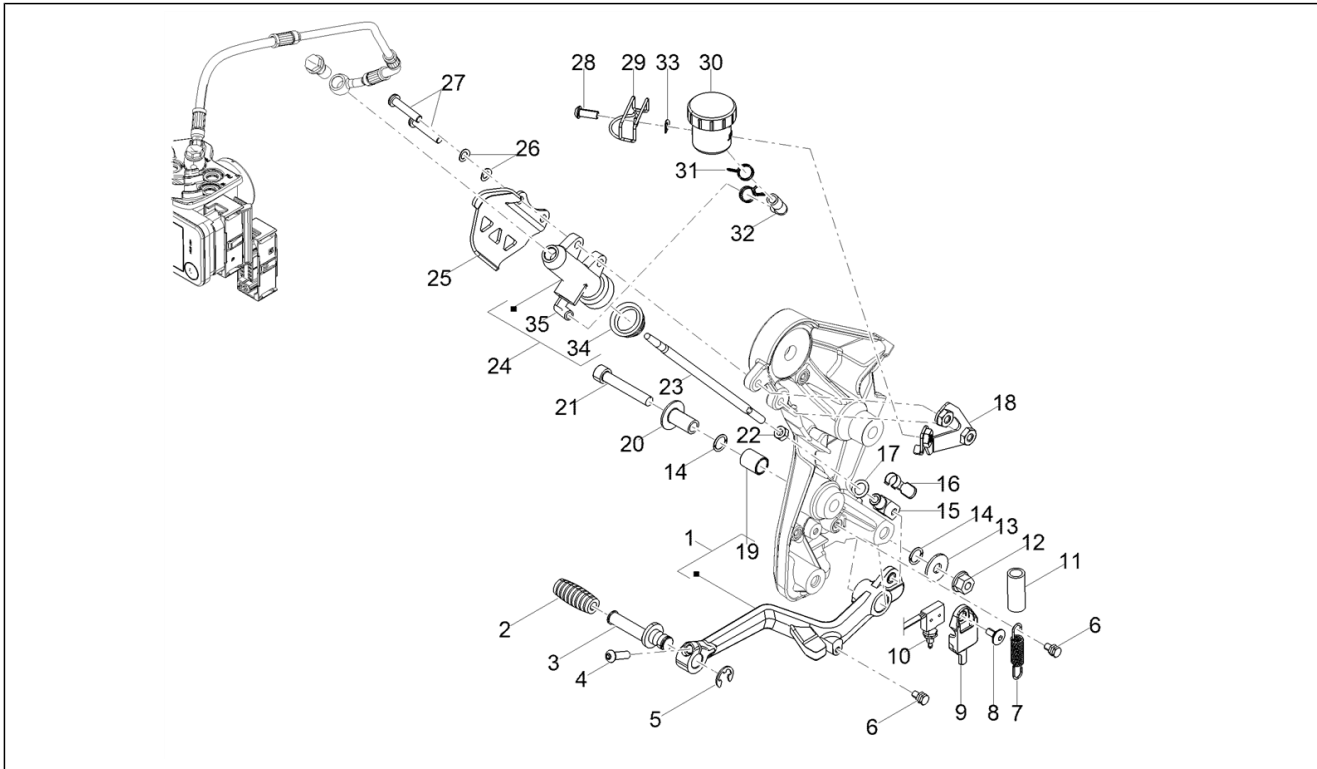
Pos.	Code	Beschreibung	Menge	Varianten
1	2B006111	Pumpe Vord.radbremse kpl.	1	
2	896346	Bremshebel mit Roller	1	
3	B064105	Deckel komplett	1	
4	858423	Membran	1	
5	856050	Bügelbolzen	1	

Einheit	Bremsanlage
Code	06.020
Beschreibung	Vorderradbremzange
Inspektion	1



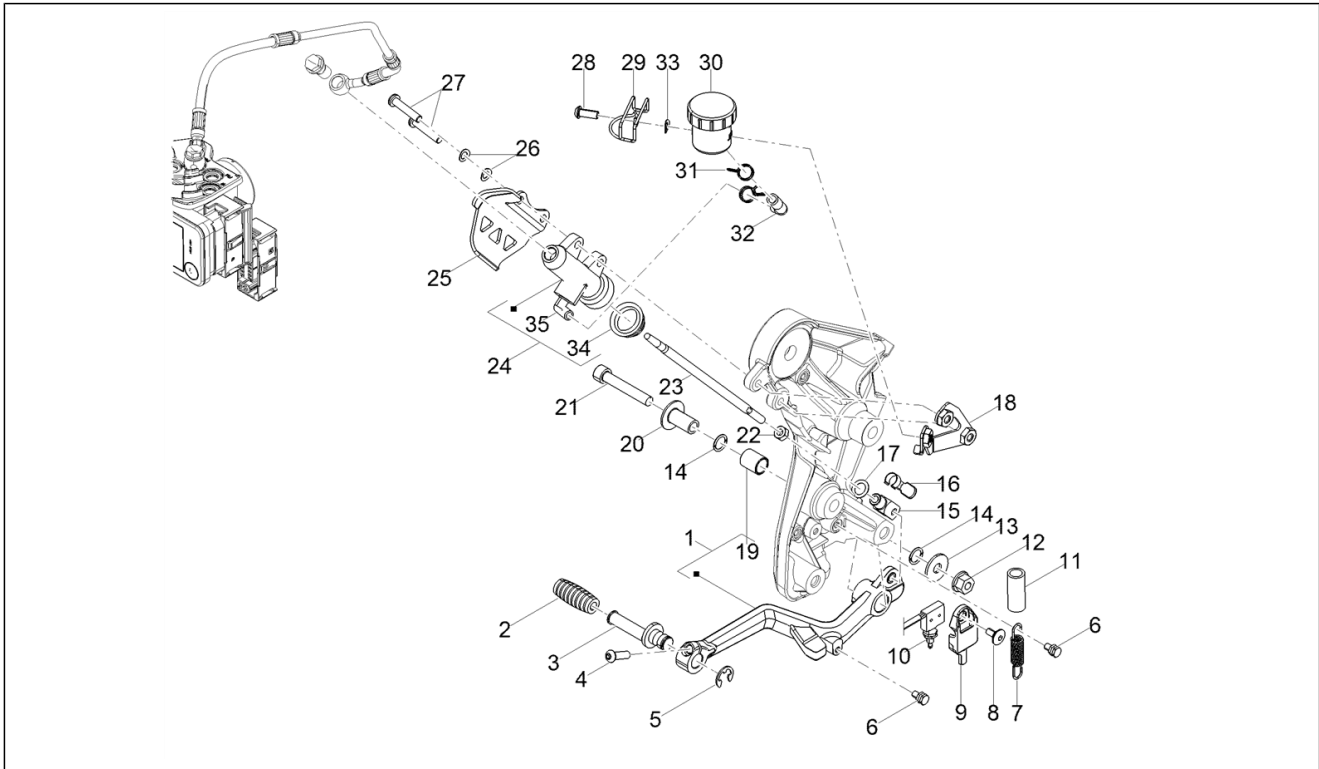
Pos.	Code	Beschreibung	Menge	Varianten
1	2B005332	Vorderradbremzange r.	1	
2	2B005331	Vorderradbremzange l.	1	
3	2B005736	Paar Bremsbeläge	2	
4	GU01659130	Stifte-Federn Bremszange	2	
5	GU01659131	Feder	2	
6	2B006398	TE Schr. m. Flansch M10X1.25X55	4	

Einheit	Bremsanlage
Code	06.030
Beschreibung	Hinterradbremspumpe
Inspektion	1



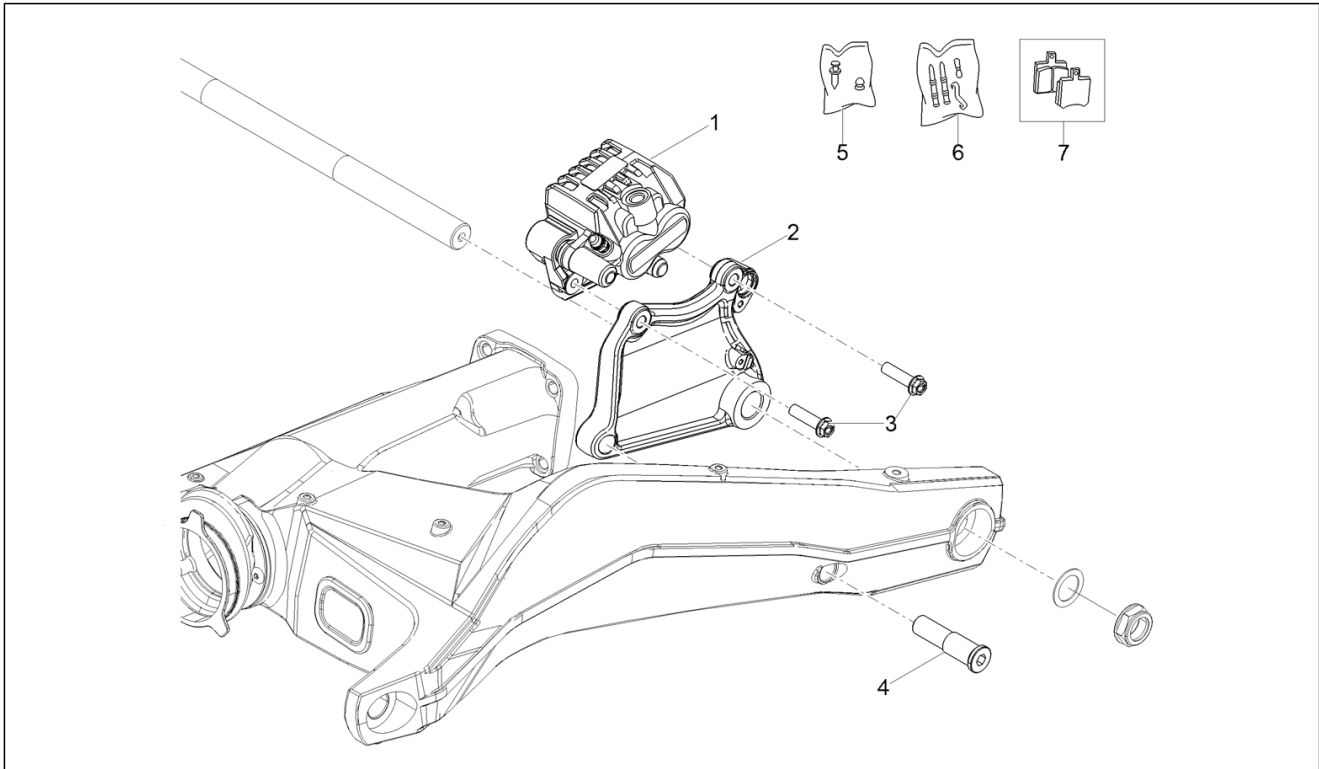
Pos.	Code	Beschreibung	Menge	Varianten
1	2B005634	H.bremshebel	1	
2	AP8120912	Gummi für Hebel	1	
3	AP8121221	Stift Bremshebel	1	
4	AP8224470	TBEI Schraube M6x20 inox	1	
5	AP8150462	Seegerring d9	1	
6	859946	Befestigungsbolzen	2	
7	AP8121927	Feder Hinterradbremsh.	1	
8	AP8150500	TBEI Schraube M5x9 NERINOX	1	
9	2B004845	Electric device support	1	
10	2D000325	Bremsen-/Kupplungsschalter	1	
11	AP8120822	Silent-Block Federn	1	
12	967363	Mutter M8x1,25	1	
13	AP8150018	Ausgleichscheibe	1	
14	AP8144007	O-Ring 11,11x1,78	2	
15	AP8113081	Schaltgabel	1	
16	AP8113082	Klemmen für Schaltgabel	1	
17	AP8120178	O-Ring OR112	1	
18	2B005589	Haltebügel Tank	1	
19	895328	Buchse gesintert	1	
20	AP8121509	Buchse	1	
21	GU98680450	TCEI Schraube M8x50	1	
22	GU92606206	Mutter	1	
23	2B005624	Stange	1	
24	2B000508	Hinterradbremspumpe	1	
25	2B005685	Bremse pumpenschutz	1	
26	AP8150182	Gebogene Sprengscheibe *	3	
27	AP8152128	TBEI Schraube M6x30	2	
28	AP8152108	TBEI Schraube M6x15	1	

Einheit	Bremsanlage
Code	06.030
Beschreibung	Hinterradbrenspumpe
Inspektion	1



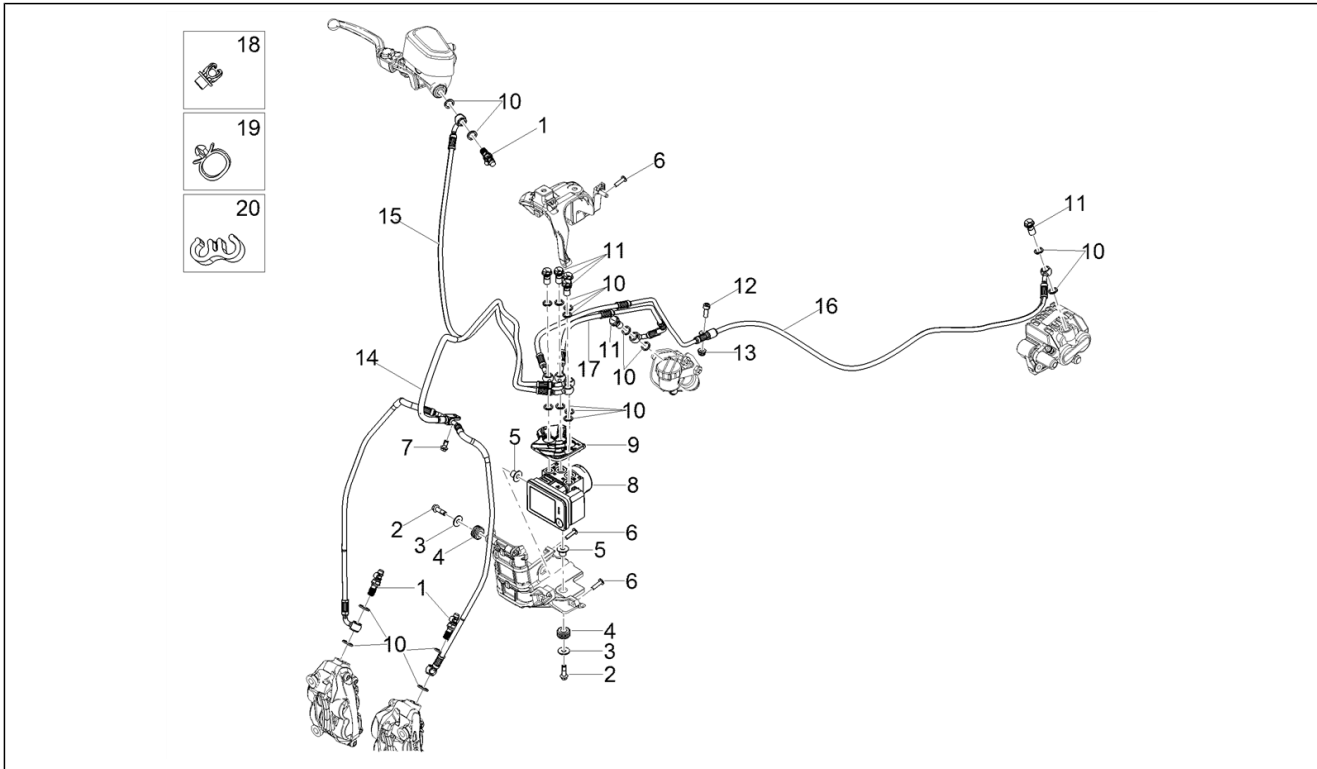
Pos.	Code	Beschreibung	Menge	Varianten
29	AP8121504	Verschlussdeckel	1	
30	2B002130	Bremsöltank	1	
31	AP8101594	Schelle D10,1*	2	
32	2B005379	Ölbehälterleitung	1	
33	AP8152181	Scheibe 6,4x15x1	1	
34	AP8113288	Gummibalg	1	
35	AP8213057	Hinterer Pumpenanschluß	1	

Einheit	Bremsanlage
Code	06.040
Beschreibung	Hinterradbremzange
Inspektion	1



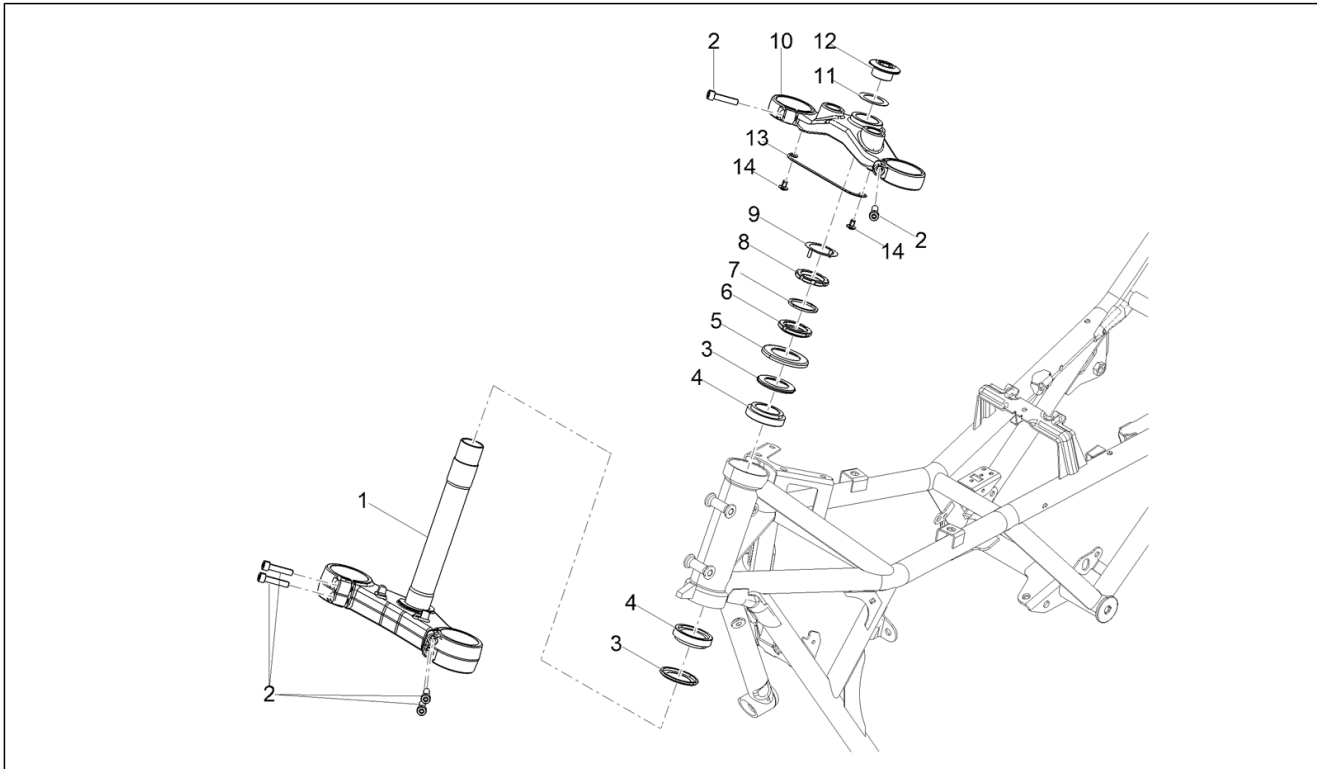
Pos.	Code	Beschreibung	Menge	Varianten
1	2B000525	Hinterradbremzange	1	
2	2B004770	Bremssattelbefestigung	1	
3	AP8152288	TE Schr. m. Flansch M8x30	2	
4	GU31544181	Bolzen	1	
5	GU31659281	Entlüftung+Haube	1	
6	GU31659181	Stifte+Feder kit	1	
7	2R000248	Paar Bremsklötze	1	

Einheit	Bremsanlage
Code	06.050
Beschreibung	Bremsanlage ABS
Inspektion	1



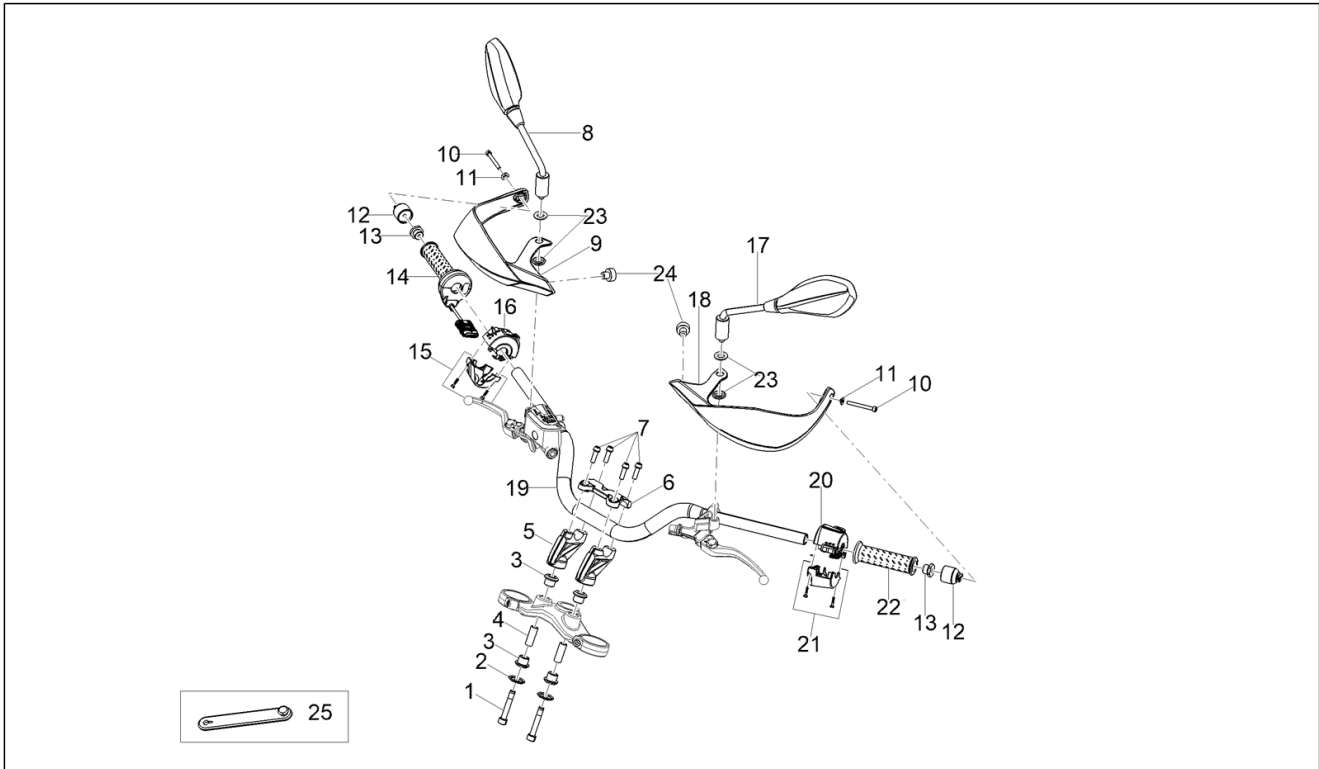
Pos.	Code	Beschreibung	Menge	Varianten
1	AP8133945	Bleeder raccord	3	
2	2B004560	Sechskantschraube M6x20 vorimprägniert	2	
3	AP8150015	Ausgleichscheibe 6,6x18x1,6*	2	
4	AP8120030	Gummi	2	
5	AP8221023	T-Buchse	2	
6	AP8152329	Kreuz.schl.flnschschr. M5x20	3	
7	2B005143	TE Schr. m. Flansch M6x12	1	
8	2D000701	Vorgefülltes ABS-Steuergerät	1	
9	2B005287	Platte	1	
10	AP8113004	Ausgleichscheibe 10x14x1,6*	18	
11	1C001209	Spezialschraube	6	
12	AP8152273	Flanschschraube M5x15	1	
13	AP8152306	Selbstsperrende Mutter M5	1	
14	2B005374	ABS HECU Leitung - Bremssattel Vorderradbremse	1	
15	2B005373	ABS HECU Leitung - Pumpe vorne	1	
16	2B005376	Leitung ABS HECU - Bremssattel hinten	1	
17	2B005375	ABS HECU Leitung - Pumpe hinten	1	
18	AP8121882	Kabelführungs	2	
19	641652	Kleine Feder	3	
20	2B000276	Klammer	1	

Einheit	Lenkstange - Schaltungen
Code	07.010
Beschreibung	Lenkung
Inspektion	1



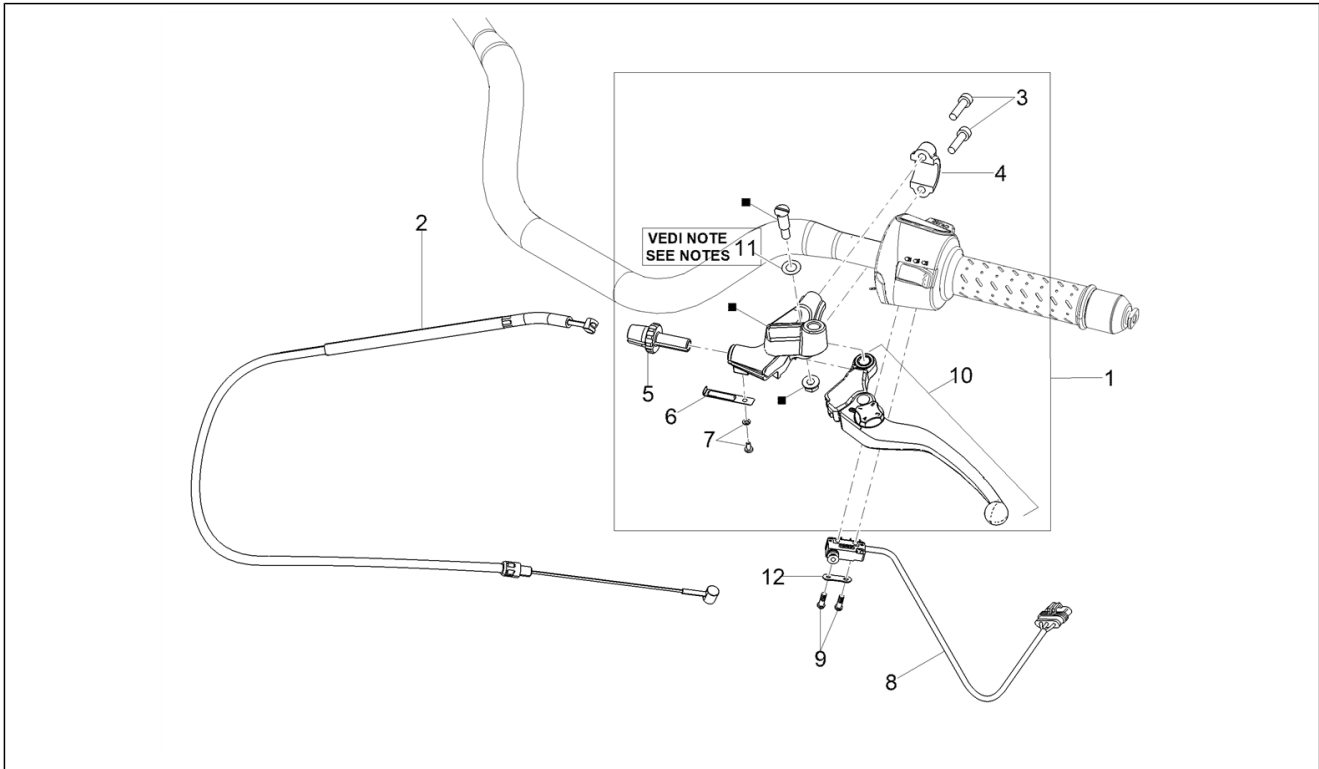
Pos.	Code	Beschreibung	Menge	Varianten
1	2B004647	Platte unten komplett mit Rohr	1	
2	AP8150236	TCEI Schraube M8x35	6	
3	AP8123641	Staubschutzring	2	
4	AP8110077	Axialkugellager	2	
5	AP8123644	Staubschutzring	1	
6	AP8123642	Nutmutter	1	
7	887831	Gummischeibe	1	
8	AP8123643	Gegenmutter	1	
9	887832	Sicherheitspl. Lenkung	1	
10	2B004944	Plättchen oben	1	
11	AP8152384	Scheibe Lenkkopf	1	
12	AP8121205	Fixierbuchse ob. Platte	1	
13	2B006501	Kabelführung	1	
14	2B000215	TBEI Schraube m.Flansch M6x10	2	

Einheit	Lenkstange - Schaltungen
Code	07.020
Beschreibung	Lenkstange - Schaltungen
Inspektion	1



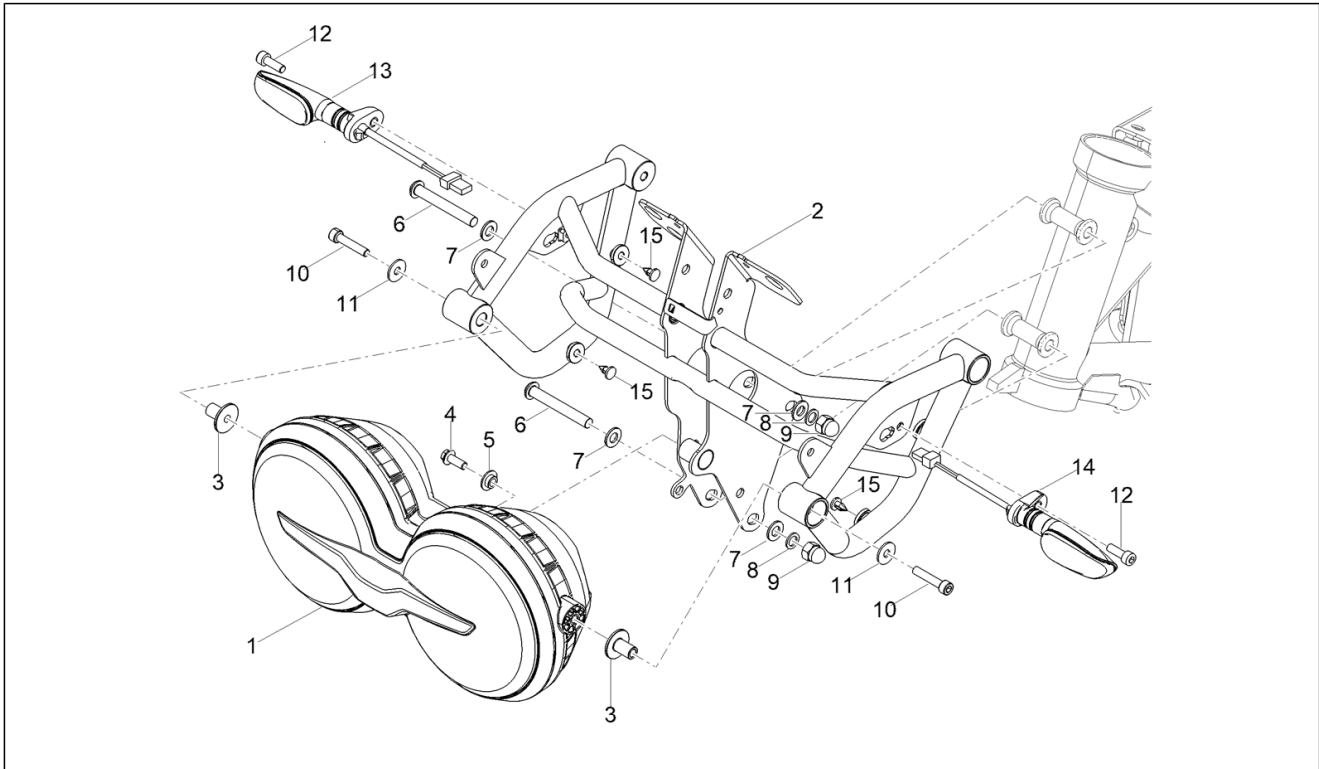
Pos.	Code	Beschreibung	Menge	Varianten
1	2B004798	Vorimprägnierte Schraube TCEI M10X60 8.8	2	
2	AP8123721	Becher	2	
3	AP8144222	Gummi	4	
4	854827	Distanzscheibe 10,1x14,1x38	2	
5	2B005683	Bügelbolzen Lenker	2	
6	2B004163	Obere Feder	1	
7	AP8152486	Zylinderschraube M8x25 INOX	4	
8	2B006207	Spiegel rechts	1	
9	856855	Handschutz rechts	1	
10	AP8150045	TCEI Schraube M6x55	2	
11	AP8121032	Buchse	2	
12	859949	Schwingschutzgewicht schwarz	2	
13	AP8121520	Endstück Schwinggew.	2	
14	2D000654	Elektronische Gasschaltung	1	
15	2D000163	Untere Schale DX	1	
16	2D000528	Bedienelement Lenker rechts	1	
17	2B006208	Rückspiegel	1	
18	2B005927	Handschutz links	1	
19	2B005257	Lenkstange	1	
20	2D000339	Bedienelement Lenker links	1	
21	2D000504	Untere Schale li	1	
22	2B002488	Links griff	1	
23	AP8121080	Distanzscheibe	4	
24	AP8144081	Gummi	2	
25	2B004963	Federklammer L60 mm	4	

Einheit	Lenkstange - Schaltungen
Code	07.030
Beschreibung	Kupplungssteuerung
Inspektion	1



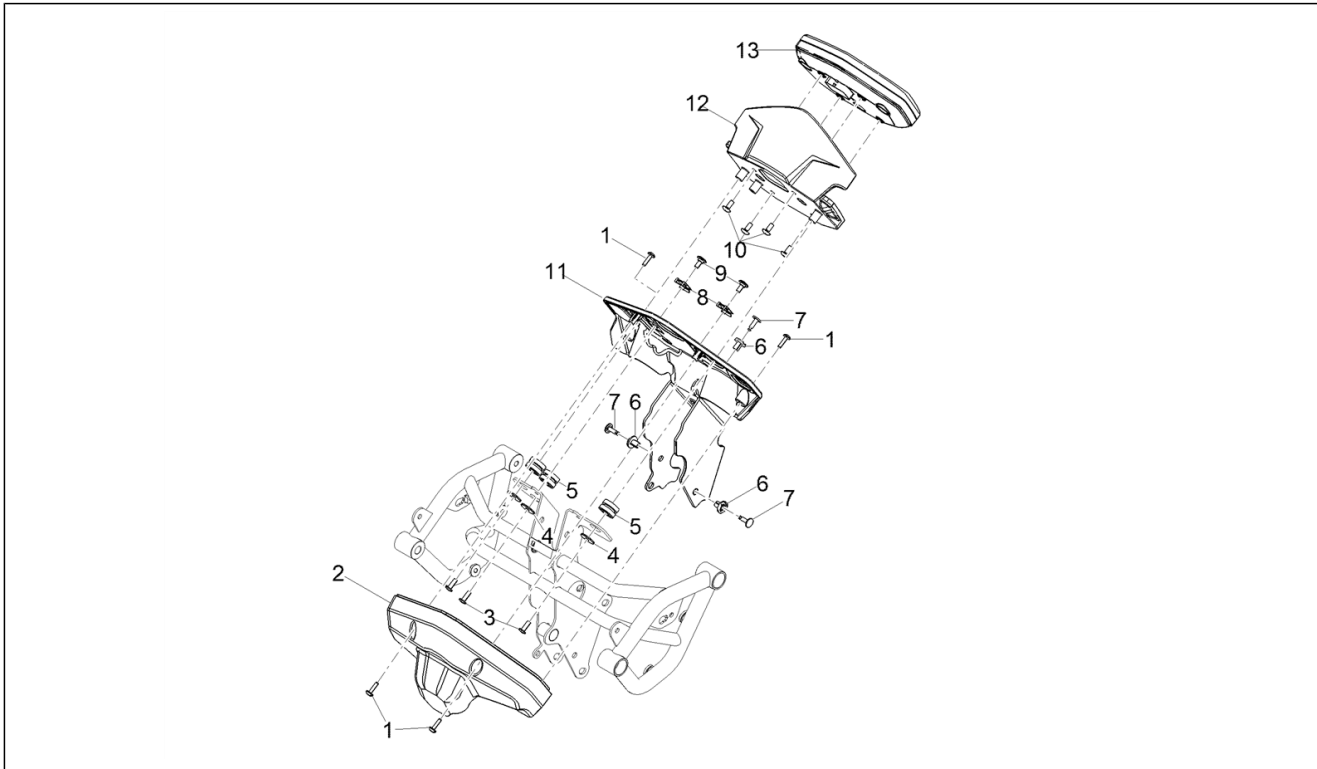
Pos.	Code	Beschreibung	Menge	Varianten
1	2B004720	Gruppe Kupplungshebel	1	
2	2B005851	Kupplungskabel	1	
3	2B006308	Schraube TCEI M6x25	2	
4	856050	Bügelbolzen	1	
5	2B004721	Kupplungskabel schraube	1	
6	2B006307	Feder	1	
7	2B006306	Schraube	1	
8	2D000497	Kupplungsschalter diagnostizierbar	1	
9	654174	TC Schraube M2x12*	2	
10	2B007401	Kupplungshebel	1	
11	2B007402	Distanzscheibe	1	
12	2B007810	Platte	1	

Einheit	Vorderer Lichter - Instrumente
Code	08.010
Beschreibung	Vorderer Lichter
Inspektion	1



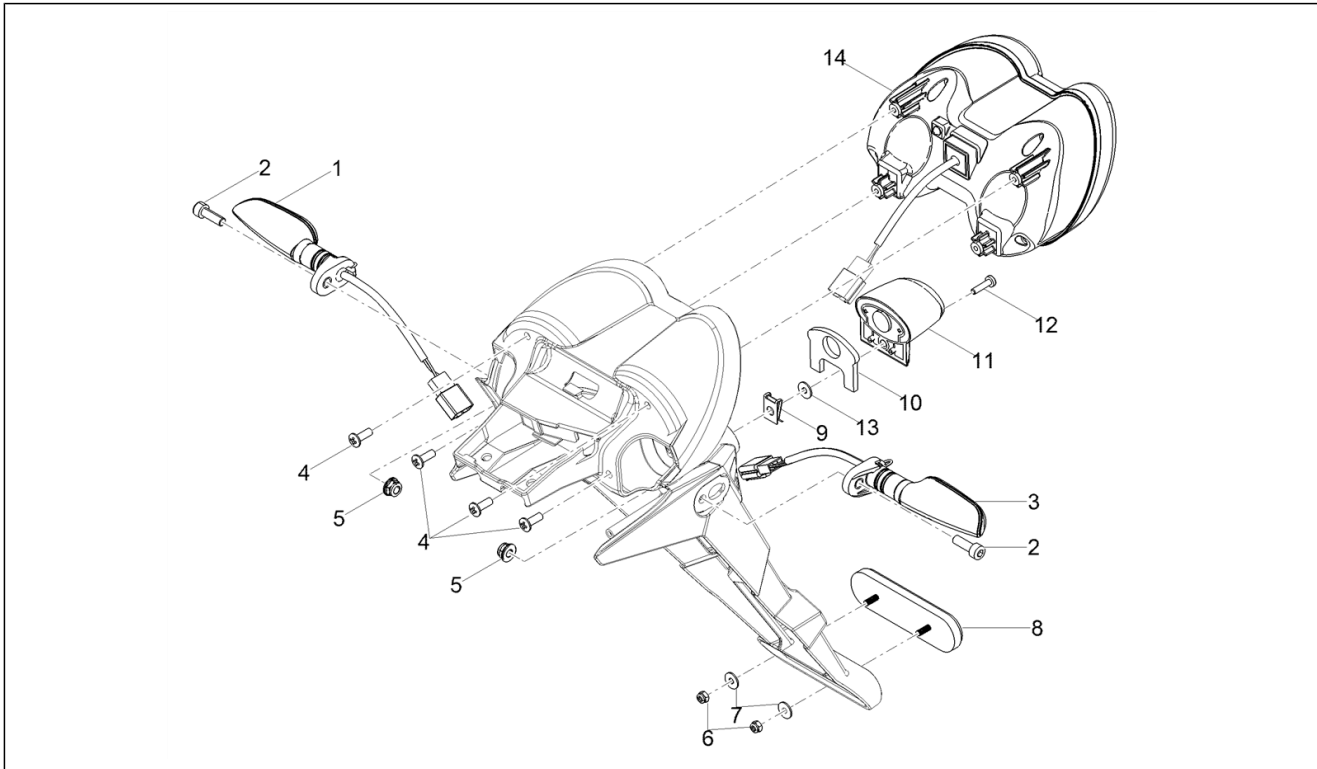
Pos.	Code	Beschreibung	Menge	Varianten
1	2D000415	Scheinwerfer	1	
2	2B005457000YR8	Vorderer kleiner rahmen	1	Farbe:Gelb Mojave[Z1] Rot Uluru[Z3]
2	2B005457000YE9	Vorderer kleiner rahmen	1	Farbe:Centenario[YV2] Schwarz Etna[NV]
3	AP8221228	Buchse	2	
4	AP8152278	TE Schr. m. Flansch M6x16	1	
5	AP9100053	Buchse d.10-h.3,5	1	
6	GU98350460	Schraube	2	
7	AP8163165	U-scheibe Inox 16x8.4x1.6	4	
8	GU14615901	Ausgleichscheibe 8,4X13X0,8	2	
9	860651	Hutmutter M8x1,25	2	
10	GU98692325	TCEI Schraube M6x25	2	
11	AP8150378	Ausgleichscheibe 6,4x18x2	2	
12	GU98692318	TCEI Schraube M6x18	2	
13	2D000439	Vorderer rechter Blinker	1	
14	2D000438	Vorderer linker Blinker	1	
15	2B007563	Deckel	4	

Einheit	Vorderer Lichter - Instrumente
Code	08.020
Beschreibung	Instrumente
Inspektion	1



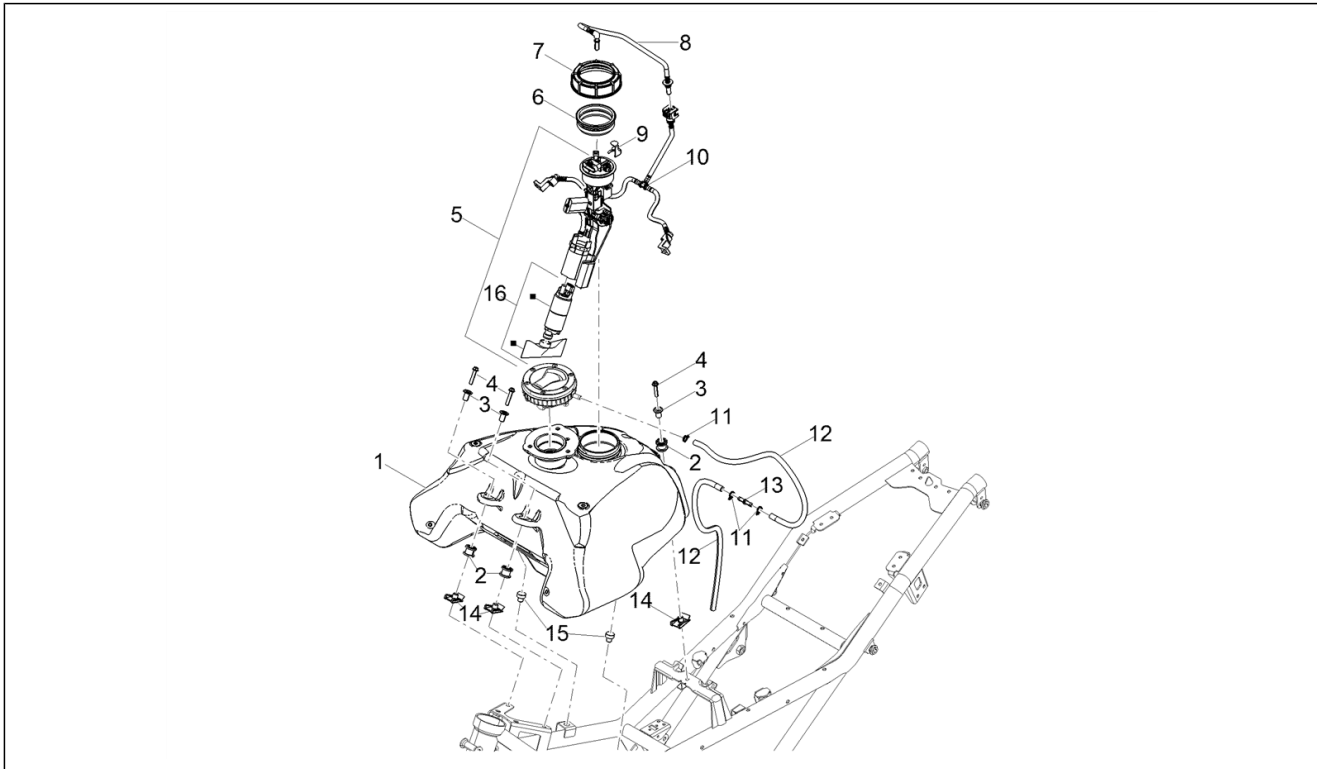
Pos.	Code	Beschreibung	Menge	Varianten
1	AP8150512	Gew.schr. 3,3x16	4	
2	2B005455	Verschuß Schutzblech	1	
3	AP8150509	Gew.schr. 5x14	3	
4	AP8150255	Ausgleichscheibe 5x20x1,5	3	
5	AP8220150	Gummi	3	
6	AP8144616	Kunststoffniet, frau	3	
7	AP8144563	Kunststoffniet, mann	3	
8	AP8102375	Klammer M5	2	
9	AP8150500	TBEI Schraube M5x9 NERINOX	2	
10	896174	Schraube TBEI Schwarz M5x12	4	
11	2B005454	Instrumententafel	1	
12	2B005452	Randleiste Instrumenten.	1	
13	2D000619	Instrumententafel	1	

Einheit	Vorderer Lichter - Instrumente
Code	08.030
Beschreibung	Hinterer Lichter
Inspektion	1



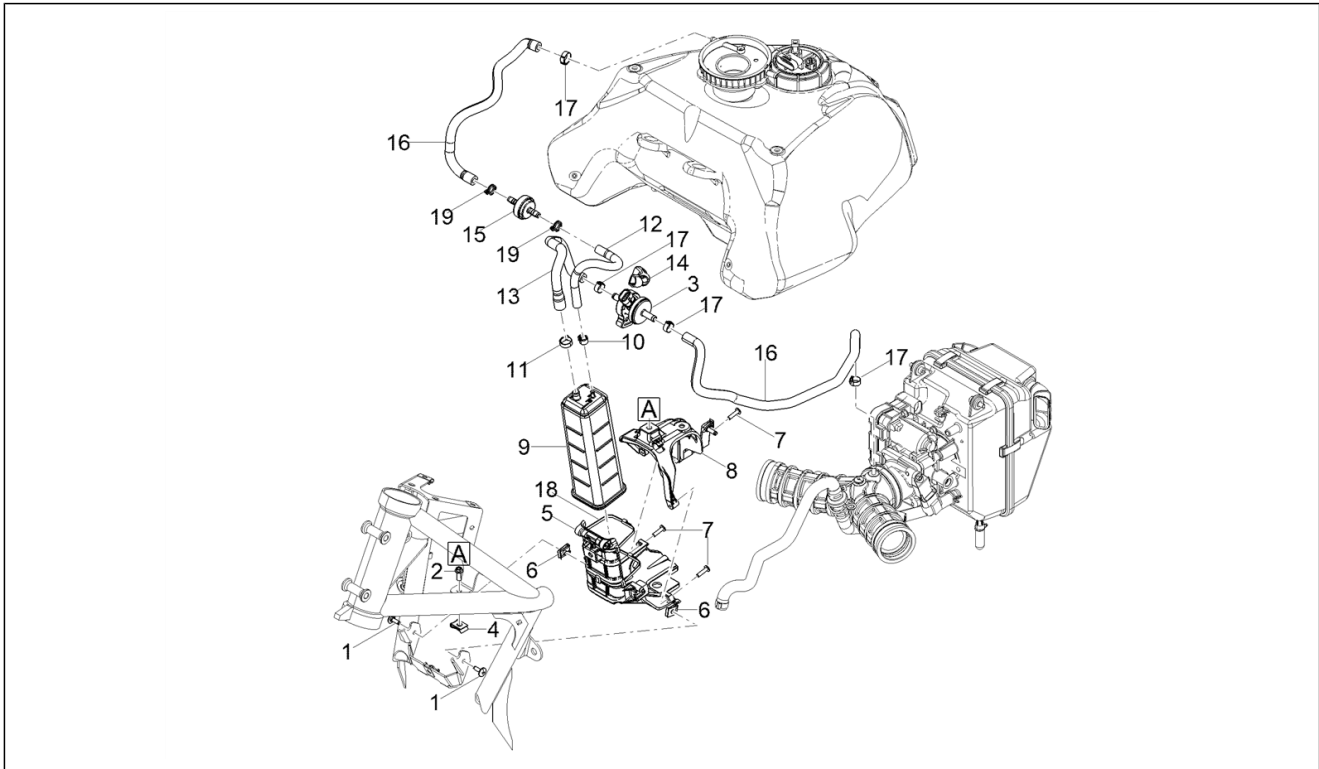
Pos.	Code	Beschreibung	Menge	Varianten
1	2D000438	Vorderer linker Blinker	1	
2	GU98692318	TCEI Schraube M6x18	2	
3	2D000439	Vorderer rechter Blinker	1	
4	AP8150509	Gew.schr. 5x14	4	
5	AP8152299	Selbstsperrende Mutter M6	2	
6	AP8150204	Mutter M4	2	
7	AP8150501	Ausgleichscheibe	2	
8	AP8124718	Rückstrahler Rücklicht, rot	1	
9	AP8102381	Klammer M4	1	
10	GU32474710	Gummi für Haterung	1	
11	85256R	Kennzeichenleuchte	1	
12	AP8150522	Linsenschraube 4,2x16	1	
13	AP8150501	Ausgleichscheibe	1	
14	2D000418	Rücklicht	1	

Einheit	Tank
Code	09.010
Beschreibung	Kraftstofftank
Inspektion	1



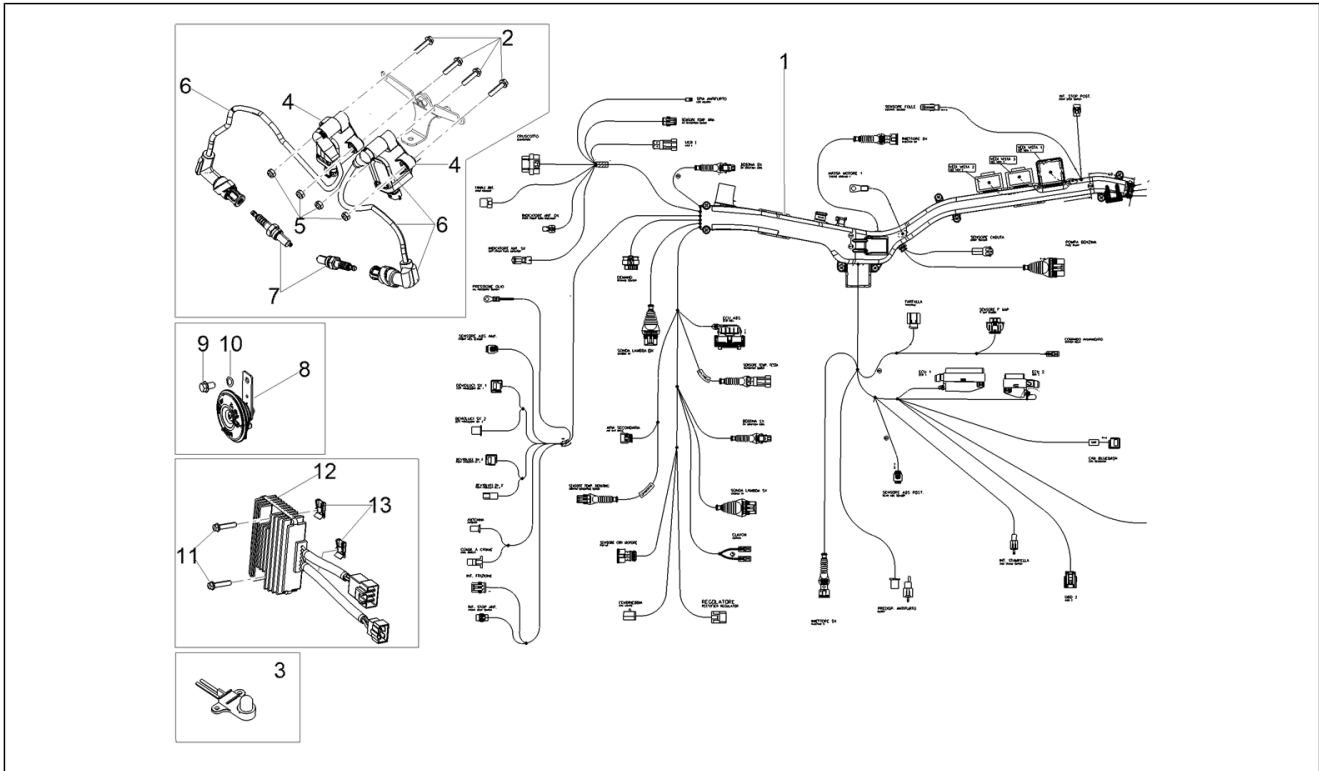
Pos.	Code	Beschreibung	Menge	Varianten
1	2B005112	Kraftstofftank	1	
2	AP8144328	Gummi	3	
3	AP8121421	T-Buchse	3	
4	AP8152281	TE Schr. m. Flansch M6x30	1	
5	2D000451	Kraftstoffpumpe	1	
6	656003	Dichtung	1	
7	576546	Nutmutter	1	
8	2B005119	Kraftstoffleitung kompl.	1	
9	1B004354	Halterung	1	
10	2B005075	Kraftstoffleitung kompl.	1	
11	AP8102378	Schelle D11,3	3	
12	AP8120952	Leitung 5,5x10	2	
13	2B000219	Anschluss	1	
14	254485	Federplättchen M6	3	
15	AP8144158	Gummi	2	
16	1D002525	Kraftstofffilter, Kit	1	

Einheit	Tank
Code	09.020
Beschreibung	Benzindampfrückf.-Anlage
Inspektion	1



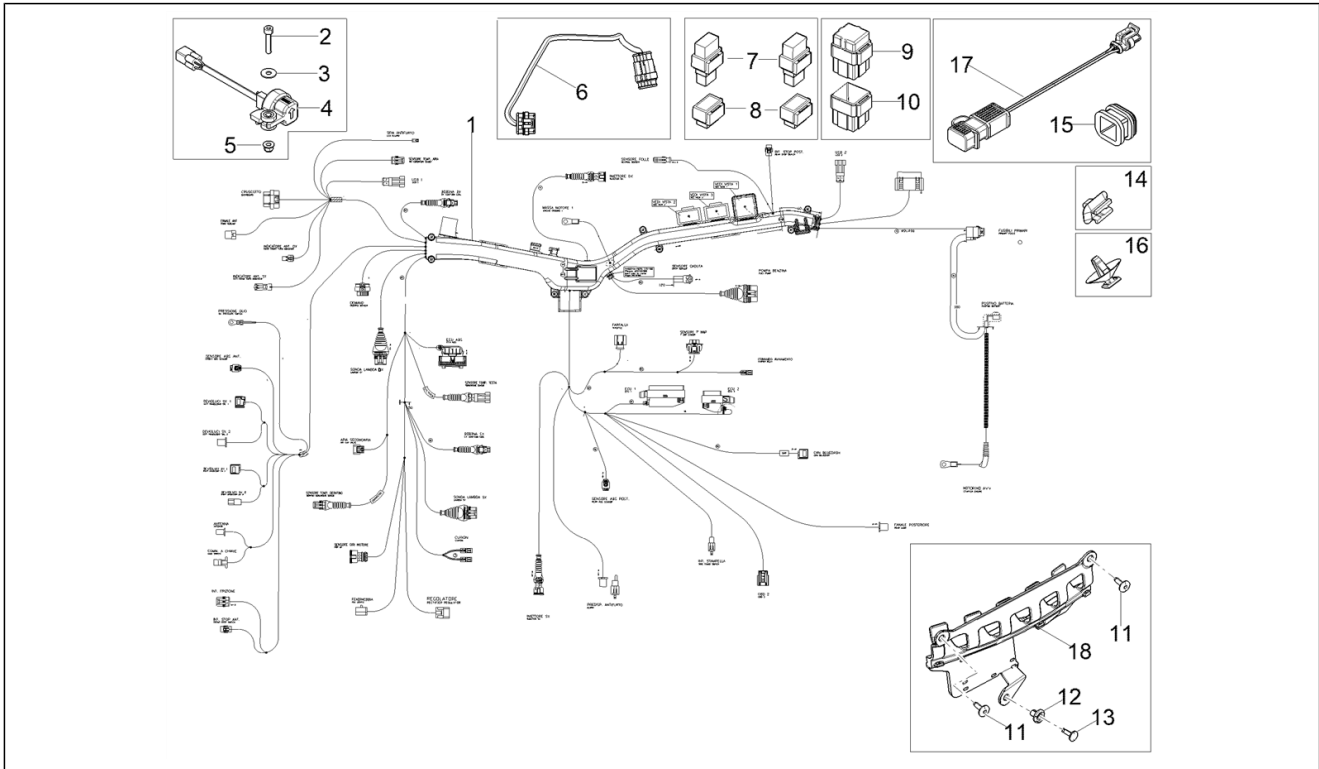
Pos.	Code	Beschreibung	Menge	Varianten
1	AP8152302	TBEI Schraube m.Flansch M5x12	2	
2	AP8152278	TE Schr. m. Flansch M6x16	1	
3	B018242	Valve assy	1	
4	254485	Federplättchen M6	1	
5	2B004991	Halterbügel	1	
6	AP8102375	Klammer M5	2	
7	AP8152329	Kreuz.schl.flnschschr. M5x20	1	
8	2B005243	Oberer Bügel	1	
9	2B005142	Kohlefilter	1	
10	AP8102738	Schlauchschelle	1	
11	AP8101586	Schlauchschelle D.15,5x6,6	1	
12	2B004280	Leitung Aktivkohlefilter / Ventil	1	
13	2B007390	Leitung Purge valve - Canister	1	
14	2B007930	Rohrführung	1	
15	CM179008	Sicherheitsventil	1	
16	856063	Leitung SAE 30 d.12,7x6,35	2	
17	AP8102764	Schlauchschelle weiß d.13x6	4	
18	GU93304390	Schelle 3,6x375	1	
19	AP8102520	Schlauchschelle	2	

Einheit	Elektrische Anlage
Code	11.010
Beschreibung	Vorder Elektrische Anlage
Inspektion	1



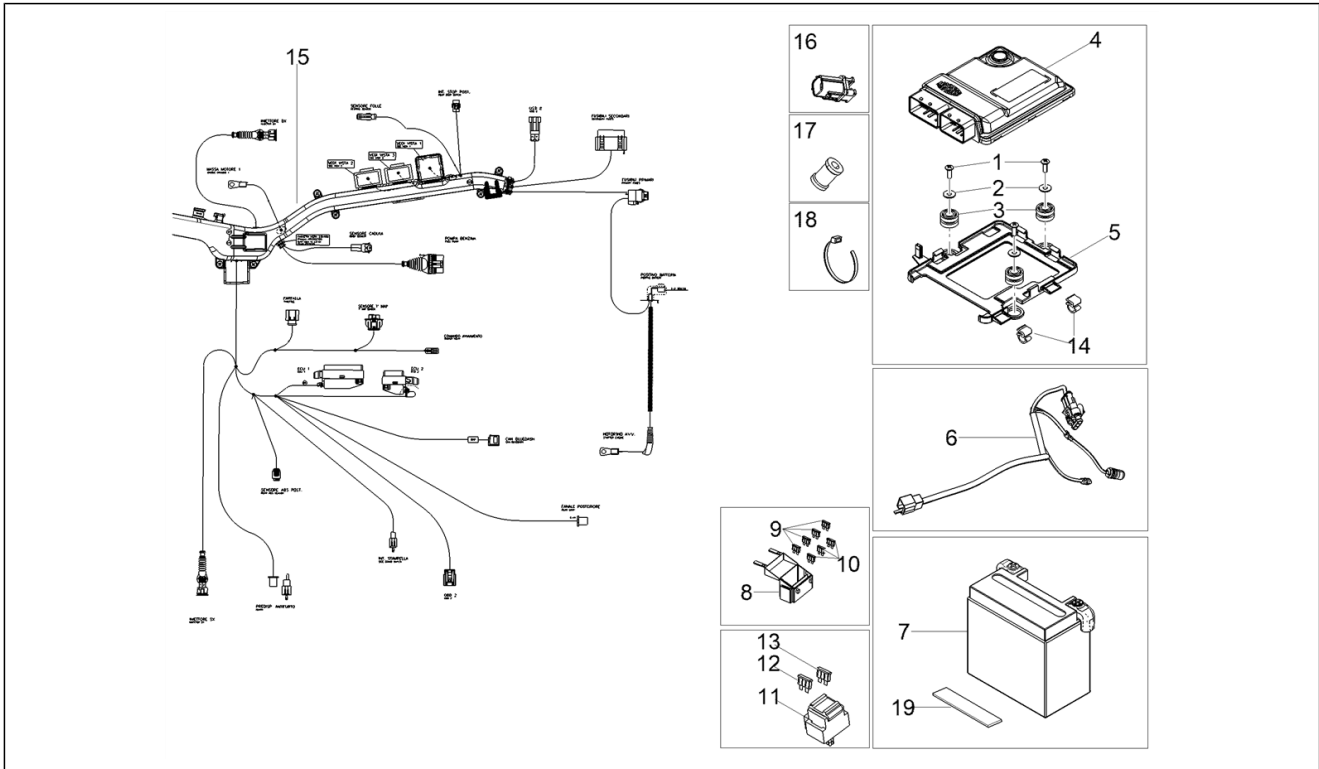
Pos.	Code	Beschreibung	Menge	Varianten
1	2D000629	Hauptverkabelung	1	
2	AP8152280	TE Schr. m. Flansch M6x25	4	
3	AP8124936	Lufttemperaturfühler	1	
4	641901	Zuendtransform.cpl.	2	
5	AP8150430	Selbstsperr.mut Unt.	4	
6	CM277103	Zündspulenkabel komplett	2	
7	1A010638	Zündkerze MR8BI-8 NGK	2	
8	2D000454	Hupe	1	
9	AP8152285	TE Schr. m. Flansch	1	
10	658837	Gewellte Sprengscheibe D15 F8,4 S1,5 - INOX	1	
11	AP8152281	TE Schr. m. Flansch M6x30	2	
12	640698	Spannungsregler	1	
13	254485	Federplättchen M6	2	

Einheit	Elektrische Anlage
Code	11.020
Beschreibung	Mitt. elektrische Anlage
Inspektion	1



Pos.	Code	Beschreibung	Menge	Varianten
1	2D000629	Hauptverkabelung	1	
2	GU98680225	TCEI Schraube M5x25	1	
3	AP8150248	Ausgleichscheibe 5,5x15x1,6	1	
4	642248	Kippsensor	1	
5	AP8152306	Selbstsperrende Mutter M5	1	
6	2D000494	Kraftstoffpumpe kabel	1	
7	AP8224462	Zündrelais 12V-30A	2	
8	AP8220283	Gummi *	2	
9	895481	Relais Einspritzung 12V-40W	1	
10	896715	Auflagegummi Relais	1	
11	AP8152302	TBEI Schraube m.Flansch M5x12	2	
12	AP8144616	Kunststoffniet, frau	1	
13	AP8144563	Kunststoffniet, mann	1	
14	B005629	Molletta	1	
15	1B001591	Kabeldurchführung für USB-Buchse	1	
16	890760	Halterung Instrumente	1	
17	1D003323	USB-Anschluss	1	
18	2B005590	Kabelhalterung	1	

Einheit	Elektrische Anlage
Code	11.030
Beschreibung	Hint.Elektrische Anlage
Inspektion	1



Pos.	Code	Beschreibung	Menge	Varianten
1	AP8150509	Gew.schr. 5x14	3	
2	AP8150382	Ausgleichscheibe 15x5,5X1,2	3	
3	AP8220150	Gummi	3	
4	CM301801	Elektronische Steuereinheit	1	
5	2B007328	Halterung	1	
6	2D000493	Verkabelung Rücklicht	1	
7	1R000319	Batterie PTX14-BS 12V 12Ah (Piaggio)	1	
7	638733	Batterie Yuasa YTX14-BS 12V-12Ah (150x87x145)	1	
8	894603	Sicherungskasten	1	
9	CM225615	Sicherung 15A	3	
10	CM225607	Sicherung 7,5A	4	
11	AP8112811	Sicherungsblockgummi	1	
12	CM225730	Sicherung 30A	1	
13	CM225720	Sicherung 20A	1	
14	AP8201727	Kabelführungs schw.	1	
15	2D000629	Hauptverkabelung	1	
16	1D002384	Deckel Kabelstecker	1	
17	109355	Kabelführung	1	
18	GU14609650	Schelle 3,6x20,6	1	
19	AP8117200	Klebeschwamm	2	